

63699-1 ✓ ACTIVE

FASTON | FASTON 187

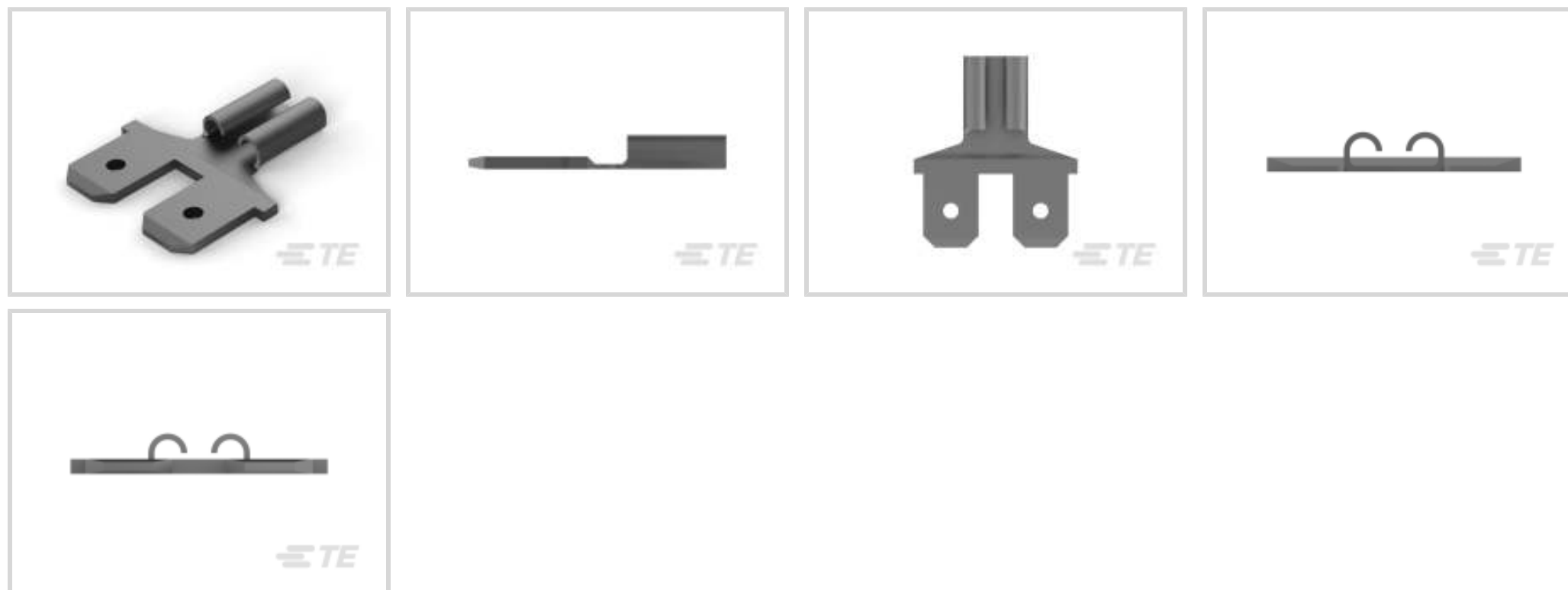
TE Internal #: 63699-1

Quick Disconnects, Tab & Receptacle, Mating Tab Width 4.75 mm [.187 in], Straight, Brass, Tin Plating, Loose Piece/Carton, Open, FASTON 187

[View on TE.com >](#)



Terminals & Splices > Quick Disconnects



Quick Disconnect Terminal Type: **Tab & Receptacle**

Mating Tab Width: **4.75 mm [.187 in]**

Mating Tab Thickness: **.81 mm [.032 in]**

Terminal Orientation: **Straight**

Contact Base Material: **Brass**

## Features

### Configuration Features

Connection Capacity	Multiple
---------------------	----------

### Contact Features

Quick Disconnect Terminal Type	Tab & Receptacle
Mating Tab Width	4.75 mm [.187 in]
Mating Tab Thickness	.81 mm [.032 in]
Terminal Orientation	Straight
Contact Base Material	Brass
Terminal Plating Material	Tin
Barrel Type	Open

### Mechanical Attachment

Wire Insulation Support	Without
Mating Retention Type	Dimple

### Dimensions

Terminal Material Thickness	.81 mm [.032 in]
-----------------------------	------------------



Product Length	16.51 mm[.65 in]
----------------	------------------

### Usage Conditions

Insulation Option	Uninsulated
Operating Temperature Range	-40 – 110 °C[-40 – 230 °F]

### Industry Standards

Agency/Standard	UL
-----------------	----

### Packaging Features

Packaging Quantity	1000
Packaging Method	Loose Piece/Carton

### Other

Terminals & Splices Comment	Premilled .013 x .032
-----------------------------	-----------------------

## Product Compliance

[For compliance documentation, visit the product page on TE.com>](#)

EU RoHS Directive 2011/65/EU	Compliant
EU ELV Directive 2000/53/EC	Compliant
China RoHS 2 Directive MIIT Order No 32, 2016	No Restricted Materials Above Threshold
EU REACH Regulation (EC) No. 1907/2006	Current ECHA Candidate List: JUNE 2023 (235) Candidate List Declared Against: JAN 2023 (233) Does not contain REACH SVHC
Halogen Content	Low Halogen - Br, Cl, F, I < 900 ppm per homogenous material. Also BFR/CFR/PVC Free
Solder Process Capability	Not applicable for solder process capability

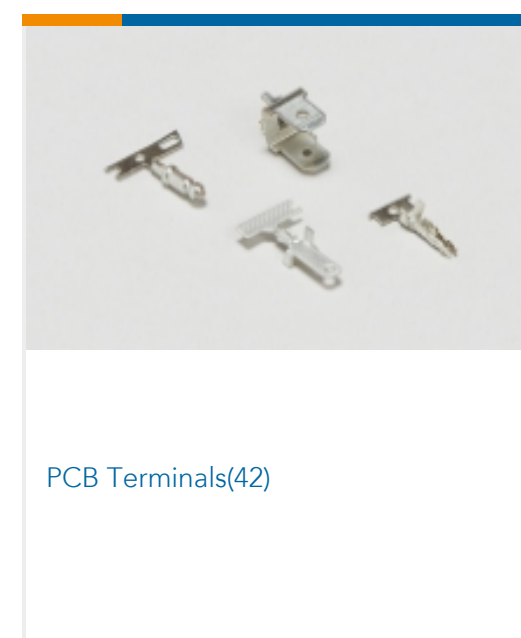
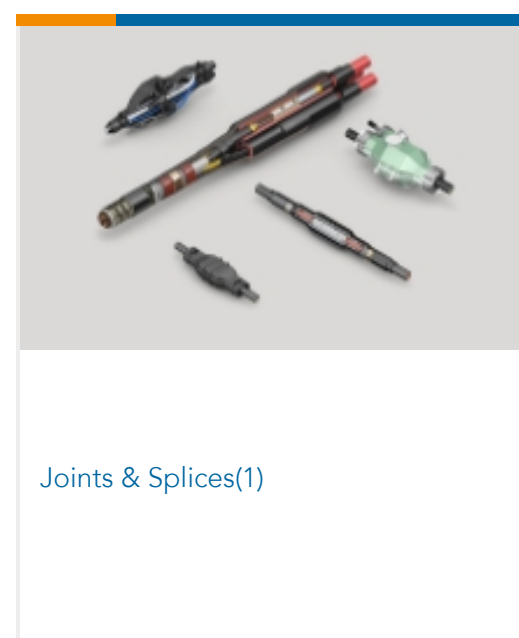
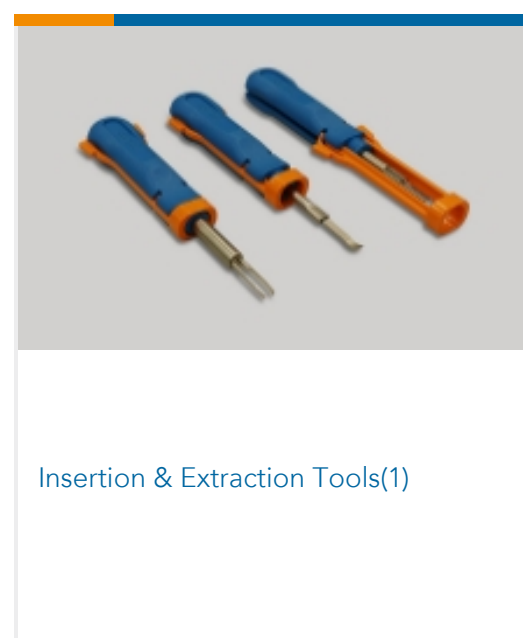
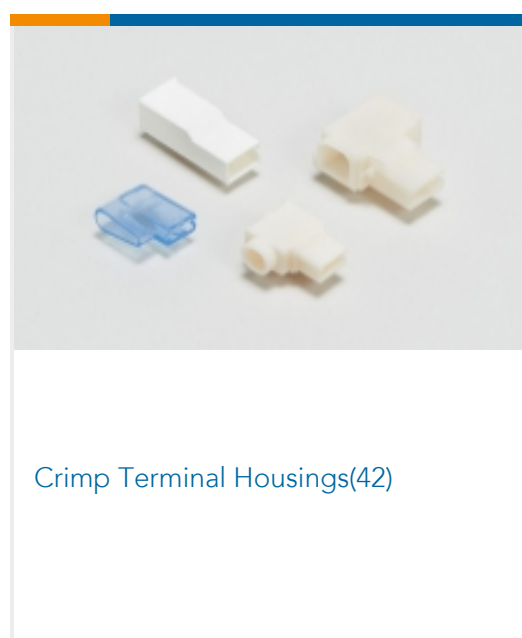
#### Product Compliance Disclaimer

This information is provided based on reasonable inquiry of our suppliers and represents our current actual knowledge based on the information they provided. This information is subject to change. The part numbers that TE has identified as EU RoHS compliant have a maximum concentration of 0.1% by weight in homogenous materials for lead, hexavalent chromium, mercury, PBB, PBDE, DBP, BBP, DEHP, DIBP, and 0.01% for cadmium, or qualify for an exemption to these limits as defined in the Annexes of Directive 2011/65/EU (RoHS2). Finished electrical and electronic equipment products will be CE marked as required by Directive 2011/65/EU. Components may not be CE marked. Additionally, the part numbers that TE has identified as EU ELV compliant have a maximum concentration of 0.1% by weight in homogenous materials for lead, hexavalent chromium, and mercury, and 0.01% for cadmium, or qualify for an exemption to these limits as defined in the Annexes of Directive 2000/53/EC (ELV). Regarding the REACH Regulation, the information TE provides on SVHC in articles for this part number is based on the latest European Chemicals Agency (ECHA) 'Guidance on requirements for substances in articles' posted at this URL: <https://echa.europa.eu/guidance-documents/guidance-on-reach>

## Compatible Parts



## Also in the Series | FASTON 187



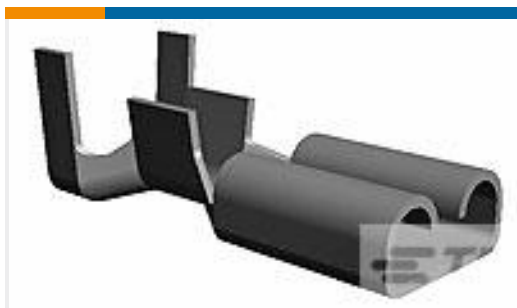
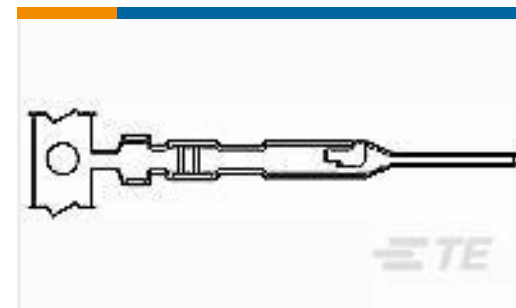
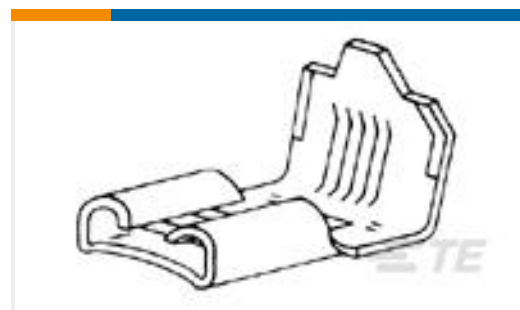
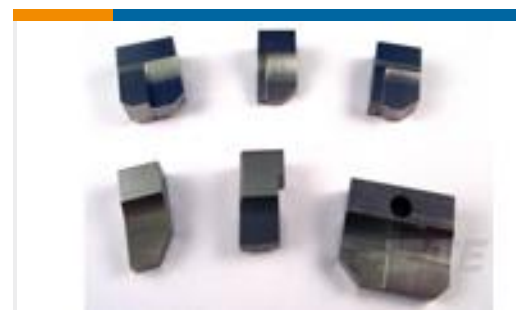


Quick Disconnects(209)



Splices(1)

## Customers Also Bought

TE Part #42452-1  
187 FASTON REC 20-16 AWG BRTE Part #42111-3  
RING TONGUE TERMINAL 18-14  
AWG TPBRTE Part #1-770007-0  
UMNL II PIN AUSN/NI/BRTE Part #5-104506-5  
MTE PIN LPTE Part #5-1393118-9  
KUP-5A15-120=KUTE Part #62056-3  
250 FASTON FLAG REC 18-12 AWG  
TPBRTE Part #464291-1  
ANVIL, SAND-BLASTED 22-18TE Part #63606-3  
187 FASTON REC 18-14 AWG TPBZTE Part #6-1393118-0  
KUP-5A15-24=KU

## Documents

### Product Drawings

[ADAPTER 187 FASTON TPBR](#)

English

### CAD Files

[Customer View Model](#)

[ENG\\_CVM\\_CVM\\_63699-1\\_H.2d\\_dxf.zip](#)

English

[3D PDF](#)



3D

Customer View Model

[ENG\\_CVM\\_CVM\\_63699-1\\_H.3d\\_igs.zip](#)

English

Customer View Model

[ENG\\_CVM\\_CVM\\_63699-1\\_H.3d\\_stp.zip](#)

English

By downloading the CAD file I accept and agree to the [Terms and Conditions](#) of use.

---

## Datasheets & Catalog Pages

[FASTON Tabs](#)

English

---

## Product Specifications

[Application Specification](#)

English

[Wire Preparation And Crimp Inspection Guide](#)

English

---

## Product Environmental Compliance

[MD\\_63699-1\\_10272017710\\_dmtec](#)

English

[MD\\_63699-1\\_10272017710\\_dmtec](#)

English

---

## Agency Approvals

[Agency Approval Document](#)

English