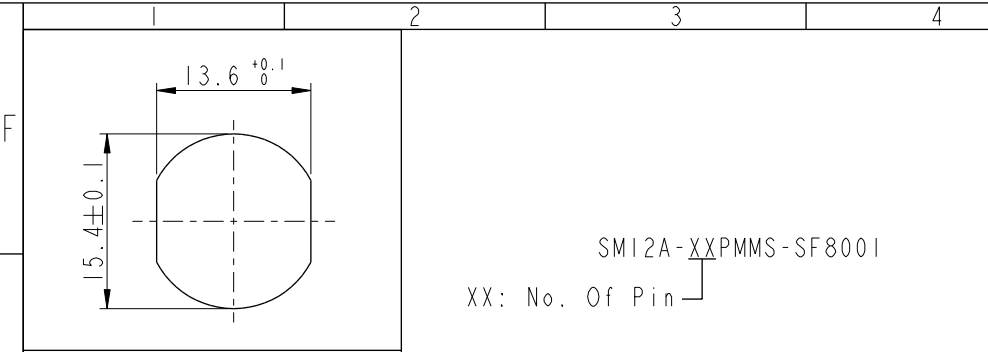


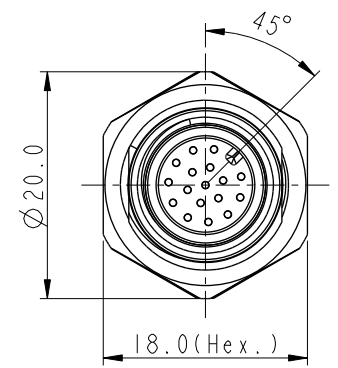
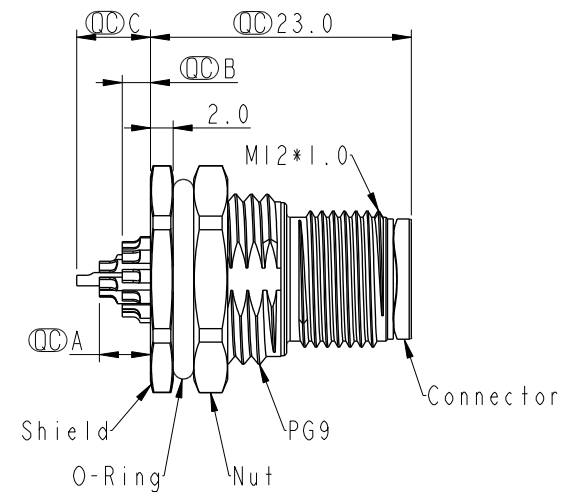
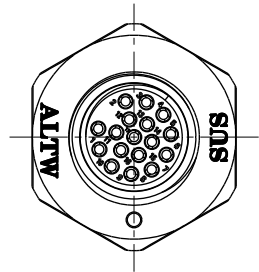
THIS DOCUMENT IS SUBJECT TO CHANGE WITHOUT NOTICE. IT IS CONFIDENTIAL AND A PROPERTY OF AMPHENOL LTW. DISCLOSURE TO THIRD PARTY HAS TO BE AUTHORIZED BY AMPHENOL LTW.

REV.	ECN NO.	DATE	SIGN	DESCRIPTION
A		2021-08-13	Allen Pan	Rev.01 To Rev.A



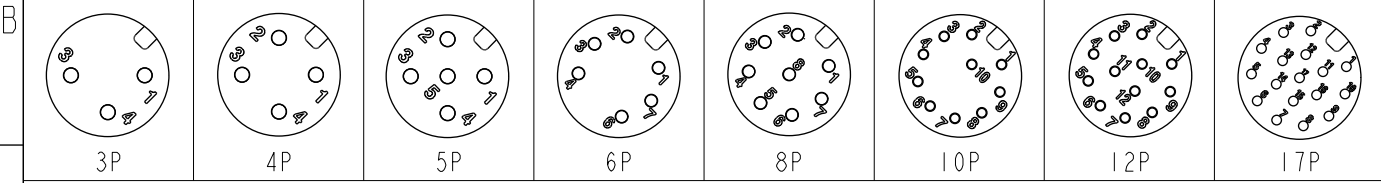
Recommended Panel Cut-Out

SM12A-XXPMMS-SF8001
XX: No. Of Pin



SM12A-03PMMS-SF8001		2.5	
SM12A-04PMMS-SF8001		2.5	
SM12A-05PMMS-SF8001		2.5	
SM12A-06PMMS-SF8001		2.5	
SM12A-08PMMS-SF8001		2.5	
SM12A-10PMMS-SF8001	4.5	2.5	
SM12A-12PMMS-SF8001	4.5	2.5	
SM12A-17PMMS-SF8001	4.5	2.5	6.5
Item No.	A	B	C
	Pin伸出長度		

- Note:
- * RoHS Compliant
 - * \varnothing Important dimension
 - * Waterproof rate: IPX8, unmated 1m/24h
IPX9K, unmated
 - * Connector
Housing: Thermoplastic, Black
Pin: Copper alloy, Gold plated
 - * Shield: Metal
 - * Nut: Metal
 - * O-Ring: Rubber, Black
 - * For panel thickness max: 4.5mm
 - * Nut is packed separately in pe bag



UNIT: mm

TOLERANCE
.X ±0.25
.XX ±0.1
.XXX ±0.05
ANGLES ±1°

SCALE 3:2 SIZE A4 SHEET 1 OF 1

REV. A WC-REV. A.1 \varnothing : Inspection item

TITLE N SEN, M12 A-STAINLESS, SCREW RECEPTACLE, M, M, SOLDER

Amphenol LTW
安費諾亮泰企業股份有限公司

ITEM NO.	DRAWN BY	DATE
	Allen Pan	2021-08-13
DWG NO.	CHECKED BY	DATE
SM12A-XXPMMS-SF8001	Sam Ho	2021-08-13
CUSTOMER	APPROVED BY	DATE
ALTW	Fred Lee	2021-08-13