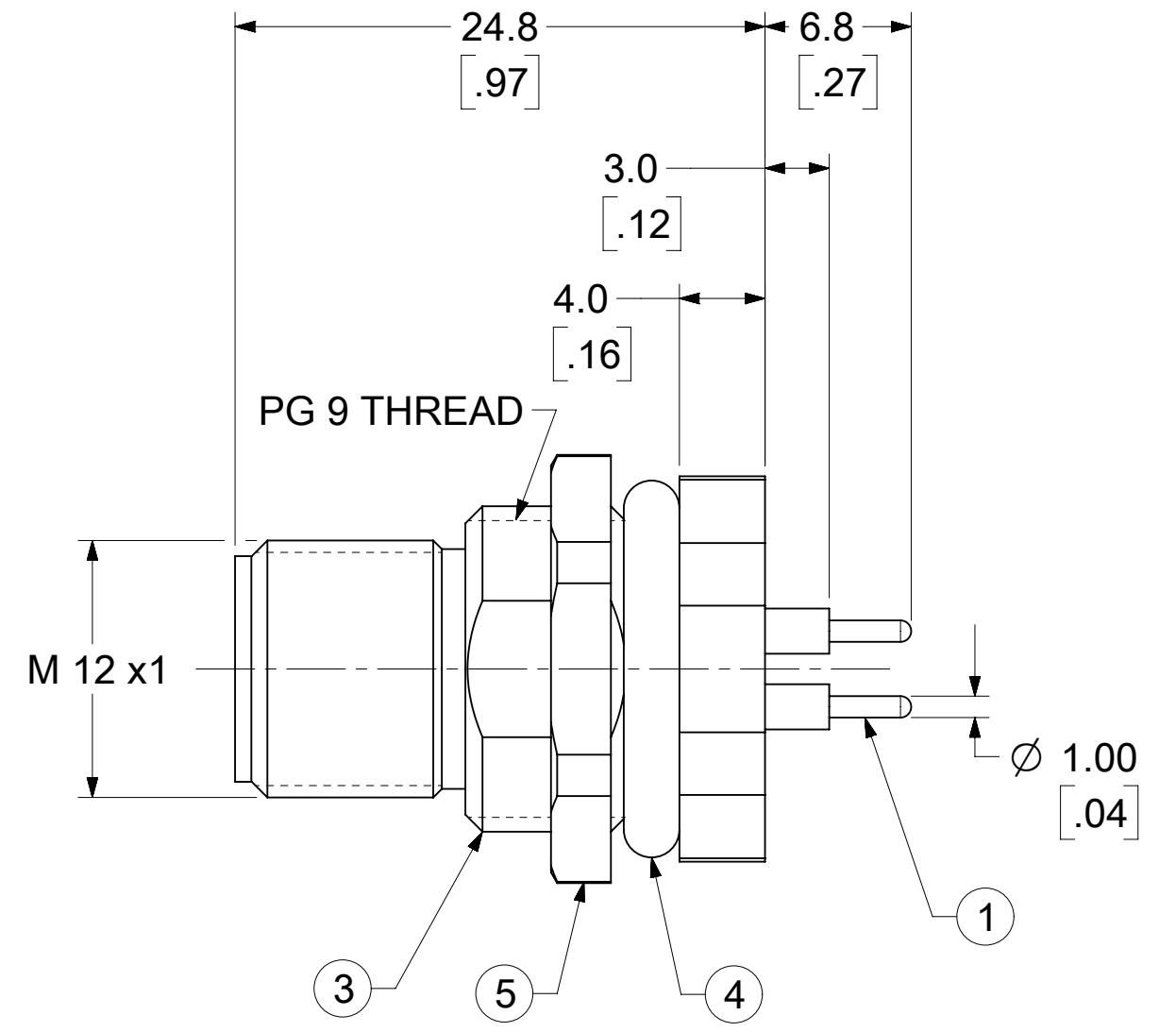
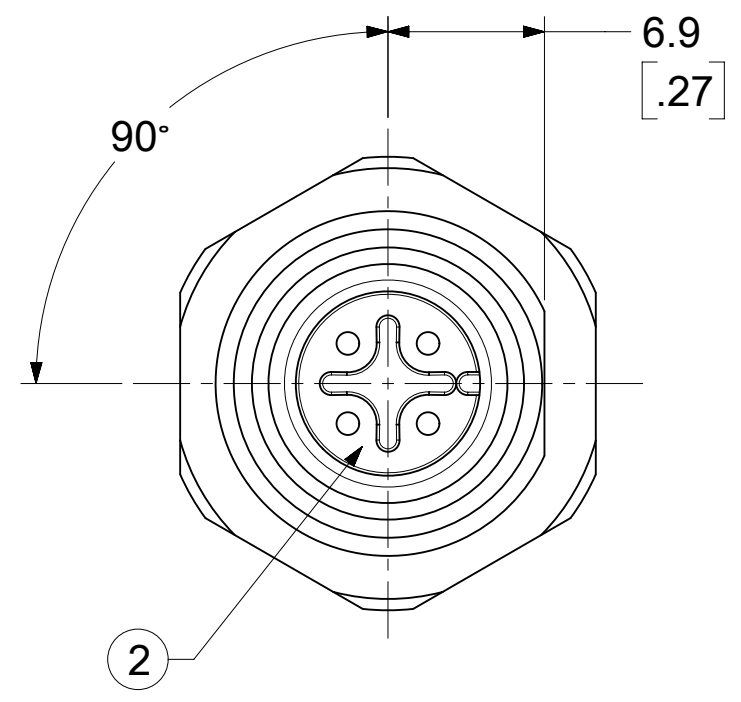
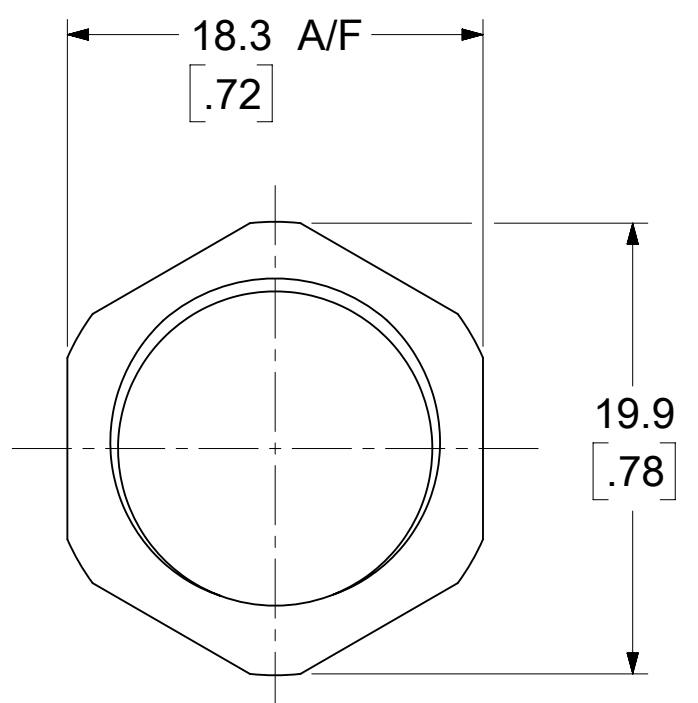
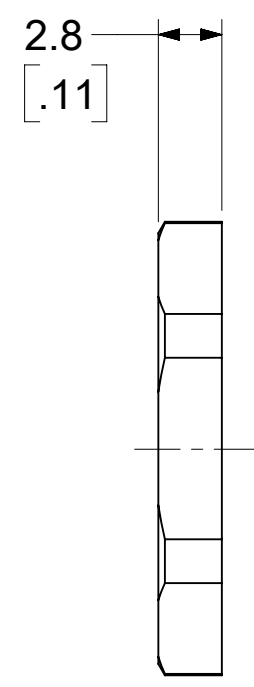
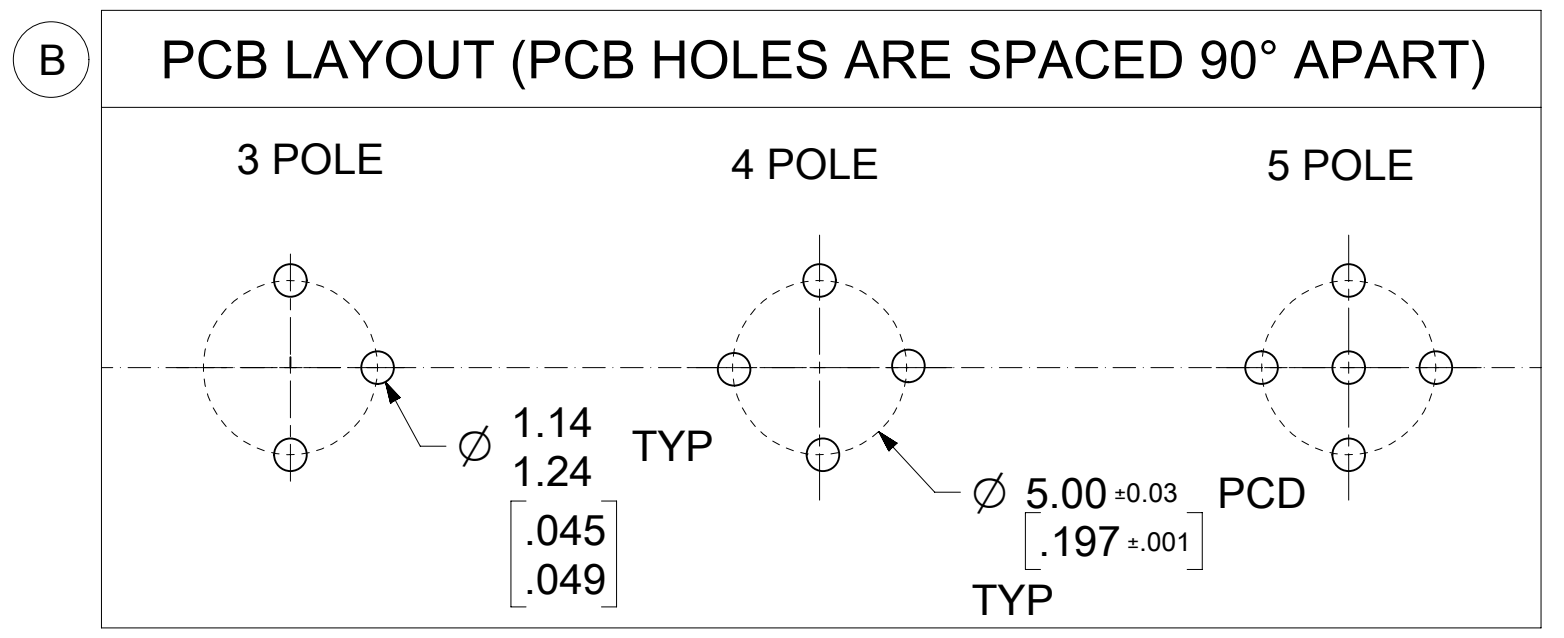
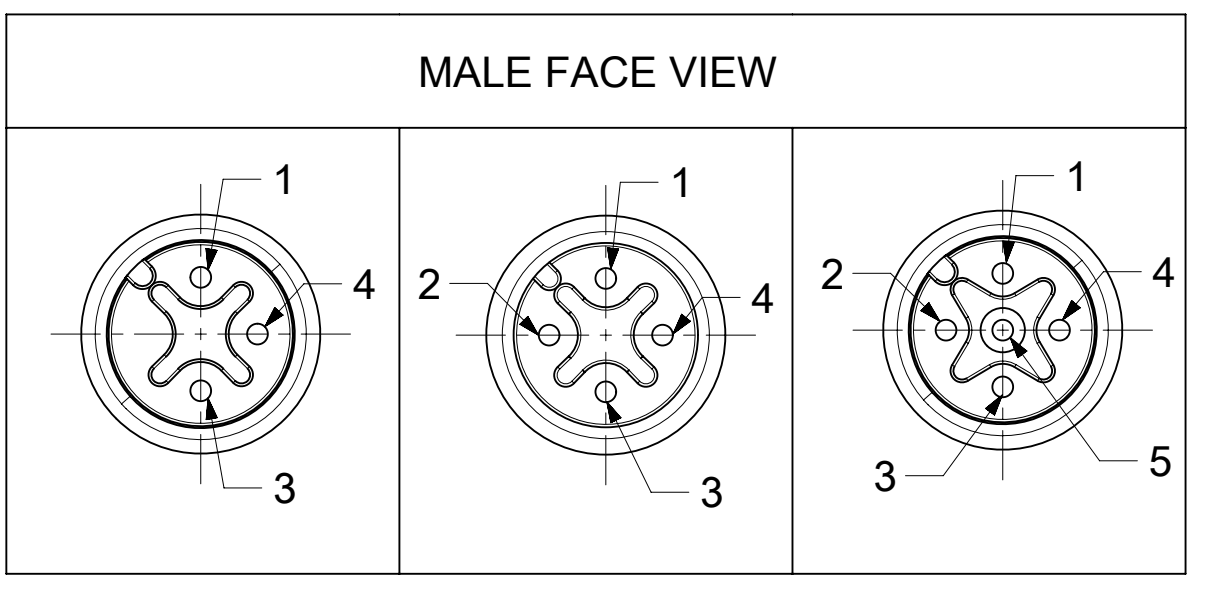
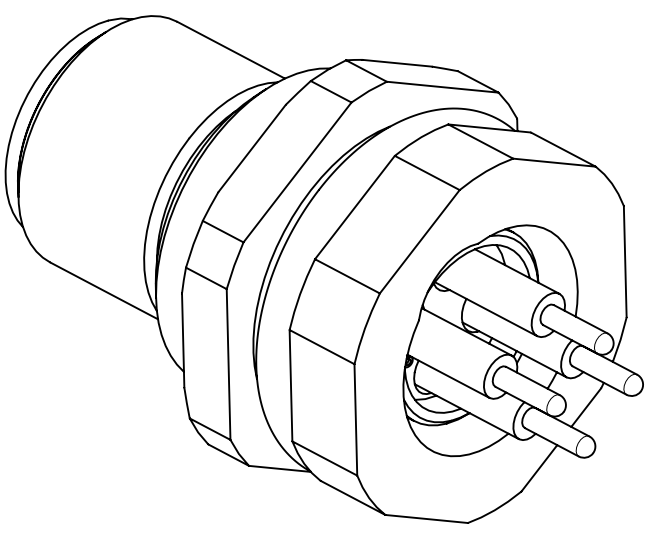
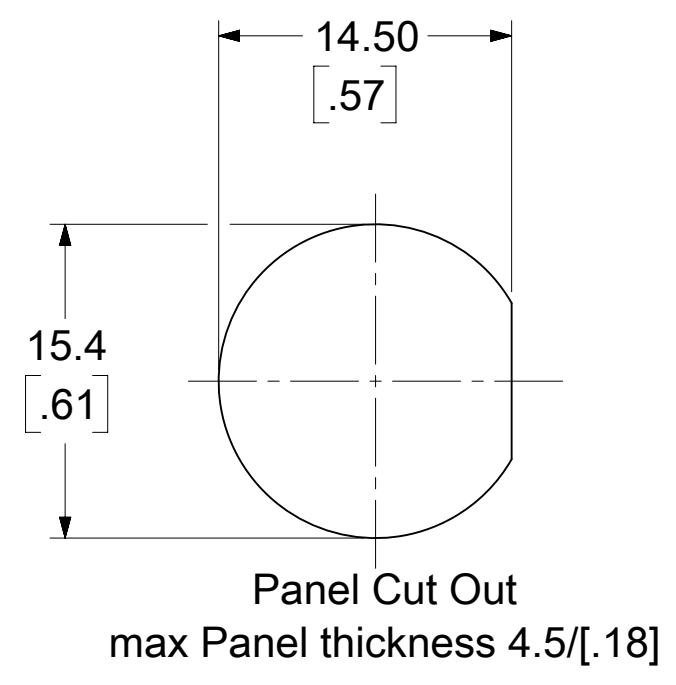


MATERIAL NO.	ENGINEERING NO.
1200110281	8R4J460003
1200700235	8R5J460003
1200705204	8R3J460003

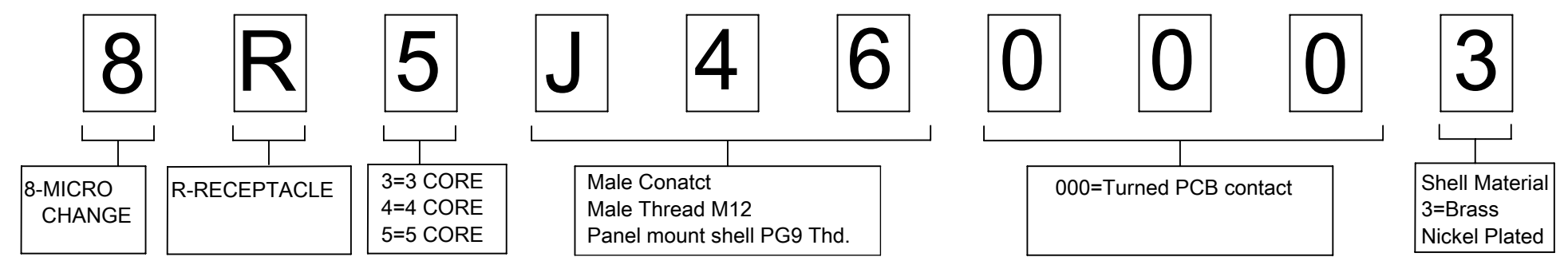
(B)



- NOTES: (B)
1. MATERIAL: AS NOTED
 2. FINISH: AS NOTED
 3. ELECTRICAL:
VOLTAGE: 250V AC/DC
CURRENT: 4A
 4. TEMP RATING: -20°C TO +80°C
 5. PROTECTION: IP67 (WHEN MATED)
 6. ALL DIMS ARE FOR REFERENCE UNLESS TOLERANCED OR NOTED OTHERWISE



(B) PART NUMBER LEGEND



ITEM	DESCRIPTION	MATERIAL	FINISH
5	LOCKNUT	Cu ALLOY	BRIGHT NICKEL PLATED
4	O-RING	VITON	BLACK
3	RECEPTACLE SHELL	Cu ALLOY	BRIGHT NICKEL PLATED
2	INSERT	NYLON	BLACK
1	CONTACT PIN	Cu ALLOY	GOLD OVER NICKEL

(B)

FUNCTIONAL SYMBOLS FA = 0 FC = 0 FP = 0	THIS DRAWING CONTAINS INFORMATION THAT IS PROPRIETARY TO MOLEX ELECTRONIC TECHNOLOGIES, LLC AND SHOULD NOT BE USED WITHOUT WRITTEN PERMISSION										
	DIMENSION UNITS MM/INCH		SCALE 3:1		CURRENT REV DESC: ADDED STD. NOTES, PCB LAYOUT, PART NUMBER LEGEND, UPDATED MATERIAL TABLE & INSERT WAS PUR.						
	GENERAL TOLERANCES (UNLESS SPECIFIED)										
	4 PLACES ±		MM		INCH		EC NO: 696324				
DIVISIONAL SYMBOLS	3 PLACES ±		±		±		DRWN: AKABADI 2022/01/18				
	2 PLACES ±		±		±		CHK'D: RSTONE 2022/02/17				
	1 PLACE ±		±		±		APPR: BWOODMAN 2022/02/21				
	0 PLACES ±		±		±		INITIAL REVISION: DRWN: CFOERDERER 2012/10/04				
ANGULAR TOL ± °		± °		± °		APPR: CBURGER 2012/10/29					
DRAFT WHERE APPLICABLE MUST REMAIN WITHIN DIMENSIONS		THIRD ANGLE PROJECTION		DRAWING		SERIES		MATERIAL NUMBER		CUSTOMER	
		C-SIZE		120011		SEE TABLE		GENERAL MARKET		SHEET NUMBER 1 OF 1	

molex

MICRO-CHANGE RECEPTACLE
MALE, M12, SINGLE KEY, PCB MOUNT

PRODUCT CUSTOMER DRAWING

DOCUMENT NUMBER: SD-120011-281
DOC TYPE: PSD
DOC PART: 001
REVISION: B