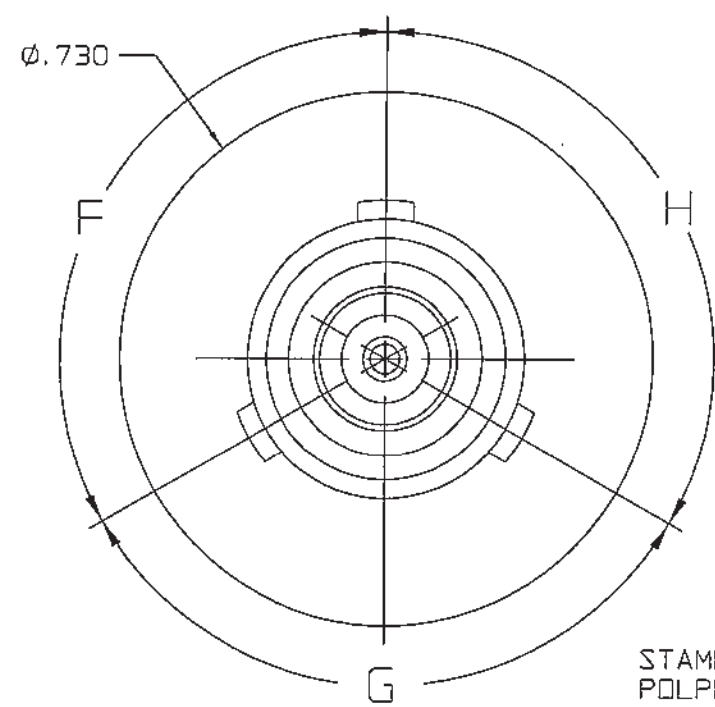


POLARIZATION CHART			
KEYING LETTER	F DEGREES	G DEGREES	H DEGREES
T	100°	150°	110°
U	120°	130°	110°
V	115°	130°	115°
W	125°	110°	125°
X	130°	100°	130°
Y	110°	140°	110°
Z	100°	160°	100°
S	135°	135°	90°
NONE	120°	120°	120°

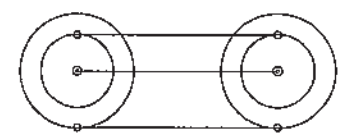
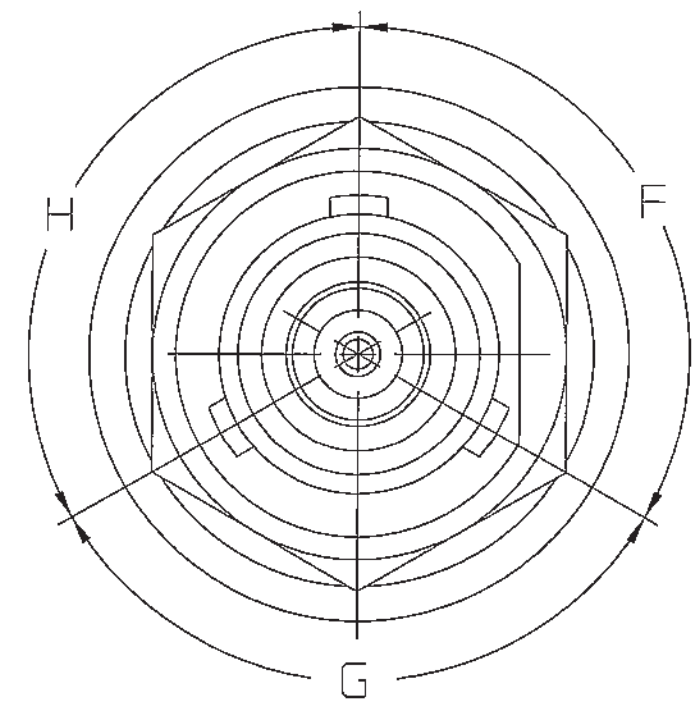
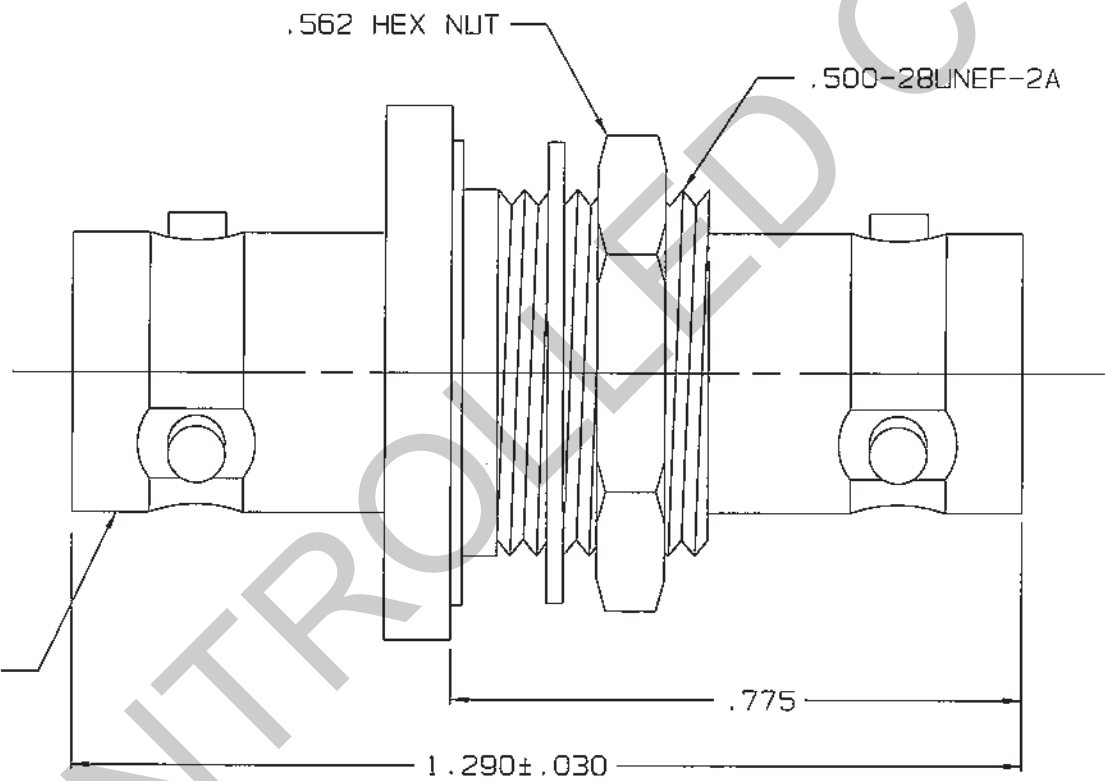
DATA CONTAINED IN THIS DOCUMENT IS PROPRIETARY TO TROMPETER ELECTRONICS INC. AND SHALL NOT BE DISCLOSED, COPIED OR USED FOR PROCUREMENT OR MANUFACTURE WITHOUT EXPRESS WRITTEN PERMISSION OF TROMPETER ELECTRONICS INC.

REVISIONS		3-0002	SH 1
REV	DESCRIPTION	DATE	APPROVED
P	REVISED PER ECD 15112	7/10/03	WJ

RED INDICATES ORIGINAL

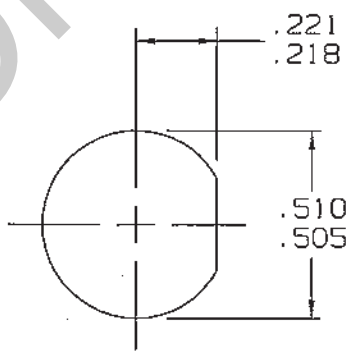


STAMPED POLPRIZATION KEY BOTH ENDS



SCHEMATIC

5. EXAMPLE OF COMPLETE MODEL NO:
 BASIC MODEL NO BJ78 Y KEY LTR (POLARIZATION)
4. CONCENTRIC TWINAX/TRIAX TRB BULKHEAD MOUNT FEEDTHRU RECEPTACLE
3. MAX PANEL THK .187
2. FINISH: TFS-1A (NICKEL)
1. ALL DIM ARE IN INCHES



RECOMMENDED
PANEL CUTOUT
SCALE: 2/1

INTERPRET DRAWING PER MIL-STD-100 DIMENSIONS ARE IN INCHES UNLESS OTHERWISE SPECIFIED		TOL: UNLESS SPECIFIED .XX .XXX ± .005 .XXXX		
DRAWN AAH	DATE 7-7-03	MATERIAL:	TITLE: BJ78	
CHECKED 32M	DATE 7-8-03	FINISH:	SIZE CAGE CODE DRAWING NO. REV.	
QUALITY	DATE 7/10/03	DO NOT SCALE DIMS	B 14949 3-0002 P	
MARKED	DATE 7/10/03	SCALE 4/1	DATE: 1-31-61 SHEET 1C	
APPROVED	DATE 7/10/03			
CAD FILE NO. 3-0002P				