

THIS DRAWING IS UNPUBLISHED.

RELEASED FOR PUBLICATION

- ,N/A .

© COPYRIGHT N/A BY TYCO ELECTRONICS CORPORATION.

ALL RIGHTS RESERVED.

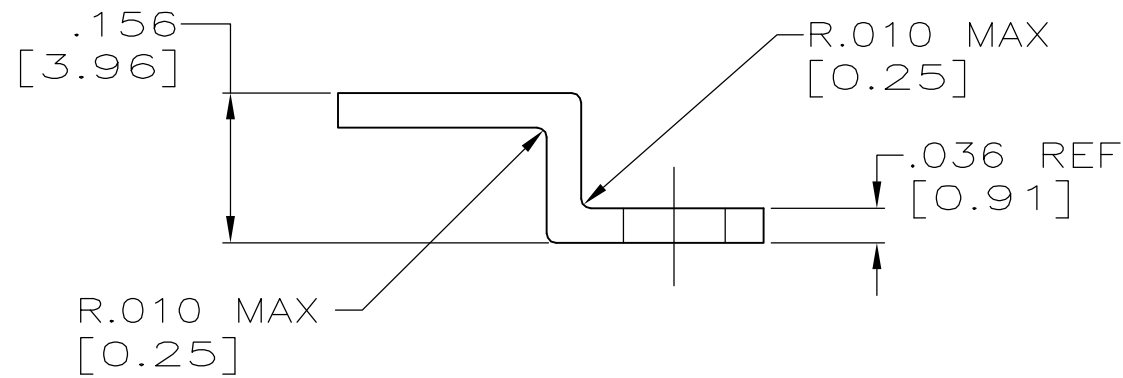
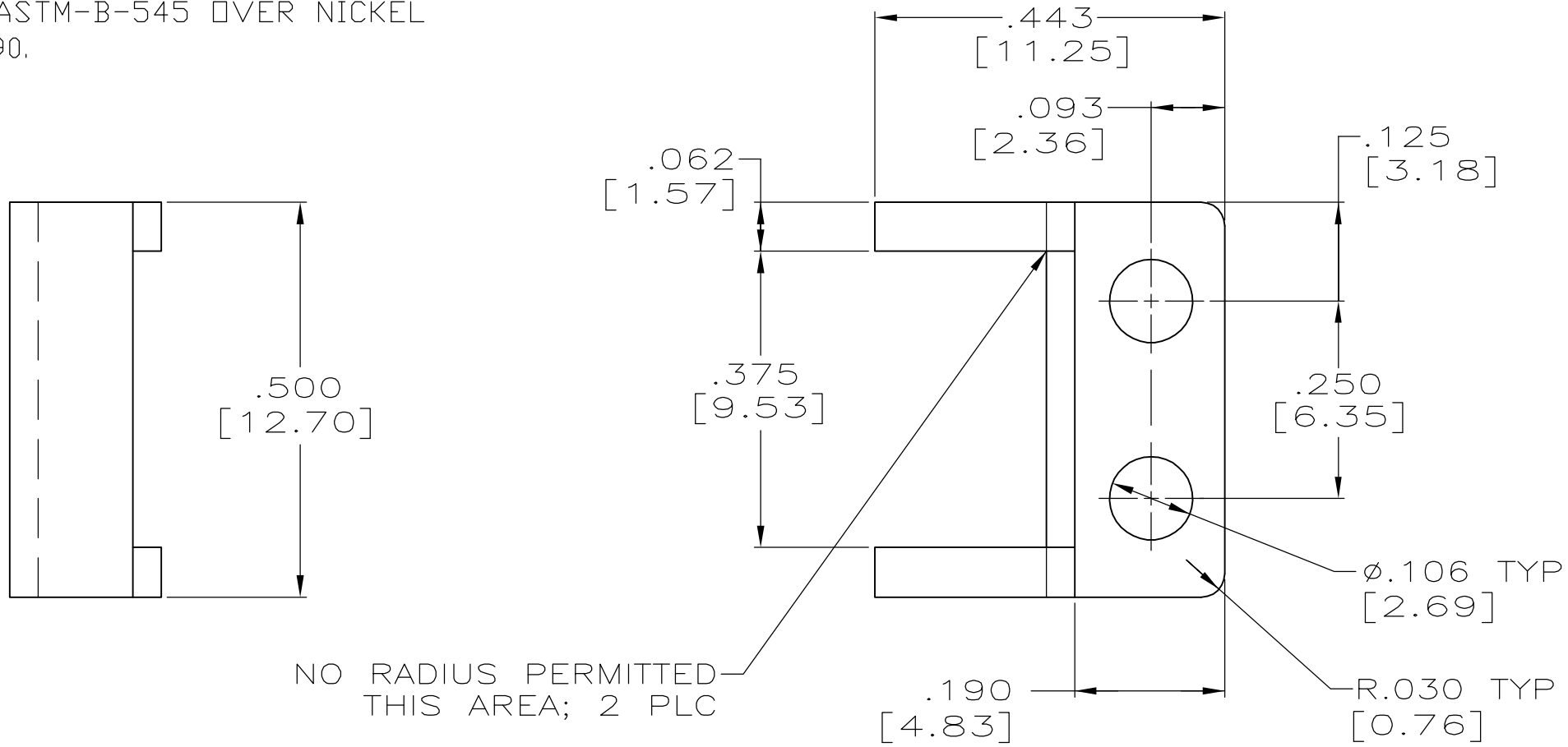
LOC DF DIST S0

REVISIONS

P	LTR	DESCRIPTION	DATE	DWN	APVD
	C	REV PER 0H14-0191-05	05-05	AA	DE

1 FINISH: 93/7 TIN LEAD OR TIN PER ASTM-B-545 OVER NICKEL PER AMS-QQ-N-290.

2 FINISH: TIN PER ASTM-B-545 OVER NICKEL PER AMS-QQ-N-290.



2	5-861214-2
1	861214-2
FINISH	PART NO.

THIS DRAWING IS A CONTROLLED DOCUMENT.		DWN C.C.THOMAS 28-APR-95	Tyco Electronics Corporation Harrisburg, Pa 17105-3608			
DIMENSIONS: INCHES		CHK D.WEYANDT 01-MAY-95				
TOLERANCES UNLESS OTHERWISE SPECIFIED:		APVD D.WEYANDT 01-MAY-95	NAME MOUNTING BRACKET			
0 PLC ± -		PRODUCT SPEC -	LGH -			
1 PLC ± -		APPLICATION SPEC -	SIZE A3	CAGE CODE 00779	DRAWING NO C-861214	RESTRICTED TO -
2 PLC ± -		WEIGHT -	CUSTOMER DRAWING			
3 PLC ± .010[0.25]			SCALE 5:1	SHEET 1 OF 1	REV C	
4 PLC ± -						
ANGLES ± -						
MATERIAL CARBON STEEL 20GA PER QQ-S-698		FINISH SEE TABLE				