

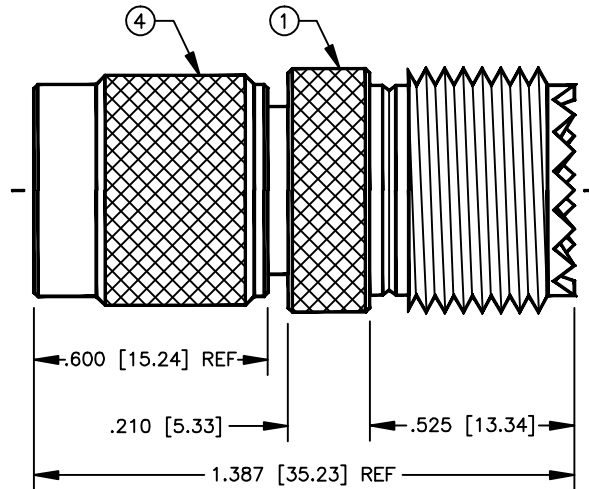
SPECIFICATION CONTROL DRAWING

THIS DRAWING CONTAINS INFORMATION PROPRIETARY TO RF INDUSTRIES, LTD. ANY UNAUTHORIZED USE OF THIS DRAWING IS EXPRESSLY PROHIBITED. ANY VIOLATION IS PUNISHABLE UNDER U.S. COPYRIGHT LAWS.

REV	DESCRIPTION	DWN	DATE	APPROVED
A	ENGINEERING RELEASE	CJ	5/29/92	J. BENZ
B	UPDATE AND STANDARDIZE	KMM	1/17/94	C. JONES
C	CHG TO 1 PIECE DIELECTRIC \ CHG BODY ID	KMM	6/12/97	R. RICE
D	CHG DIE & PIN CONFIG / ADD BODY DIMENSION	CZS	4/9/99	R. RICE

ALL DIMENSIONS ARE REFERENCE ONLY

000000



SPECIFICATIONS:

IMPEDANCE: NON CONSTANT
 WORKING VOLTAGE: 500 VRMS @ SEA LEVEL
 FREQUENCY RANGE: 0-300 MHz

DIMENSIONS ARE IN INCHES AND [MILLIMETERS]

UNLESS OTHERWISE NOTED TOLERANCES ARE:
 DECIMALS DIAMETER

RFconnectors
 DIVISION OF RF INDUSTRIES, LTD.

7610 MIRAMAR RD
 SAN DIEGO, CA 92126
 (619)549-6340
 (619)549-6345 FAX

RFT-1235

TNC MALE TO UHF FEMALE ADAPTER

ITEM	DESCRIPTION	QTY	MATERIAL	FINISH
6	RETAINING RING	1	BRASS	NONE
5	GASKET	1	S.I. RUBBER	RED
4	SHELL	1	BRASS	NICKEL
3	DIELECTRIC	1	PTFE	NONE
2	PIN	1	BRASS	GOLD
1	BODY	1	BRASS	NICKEL

DRAWN C. ZUNIGA	4/9/99
CHECKED	
ORJ DRAWN C. JONES	5/29/92
APPROVALS	DATE

SIZE A	CABLE GROUP N/A	DWG NO. 7591	REV D
SCALE: 2:1	CAD FILE 13ARC B	SHEET 1 OF 1	