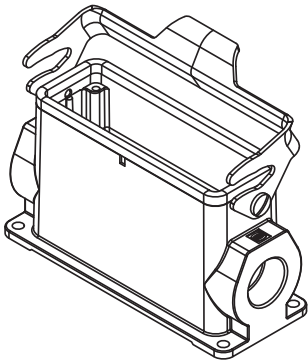
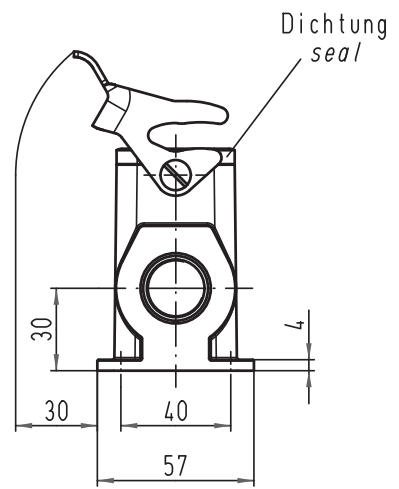
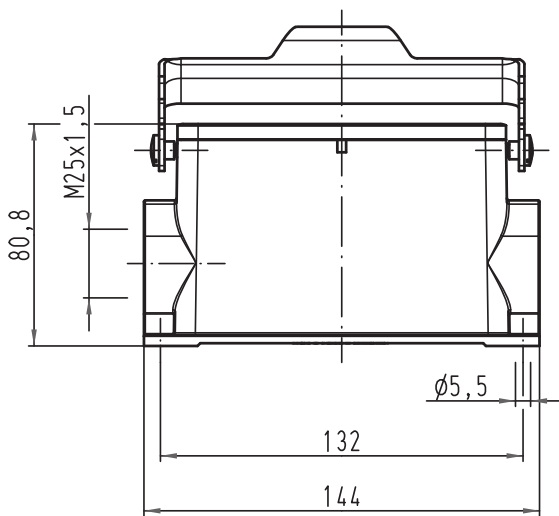


Alle Rechte vorbehalten/ All rights reserved



| | | | | | | |
|---|------|-------------------|--------------------------------|--------------|---|---|
| All Dimensions in mm Original Size DIN A 4 | | Techn. Character. | | | Nicht tolerierte Maß/Free size tolerances | |
| | | | Dat. | Name | Maßstab/Scale 1:2 | Han 24B-asg1-LB-M25 Anbausockelgehäuse <i>housing surface mounting</i> |
| | | | Detail. | 25.10.10 Spr | | |
| | | | Insp. | Sch | | |
| | | | Stand. | | | |
| A | | | HARTING Electric GmbH & Co. KG | | | TB 19 30 024 0251ML Sub. |
| Mod. | Dat. | Name | D-32339 Espelkamp | | | |
| | | | | | | Blatt/ page |