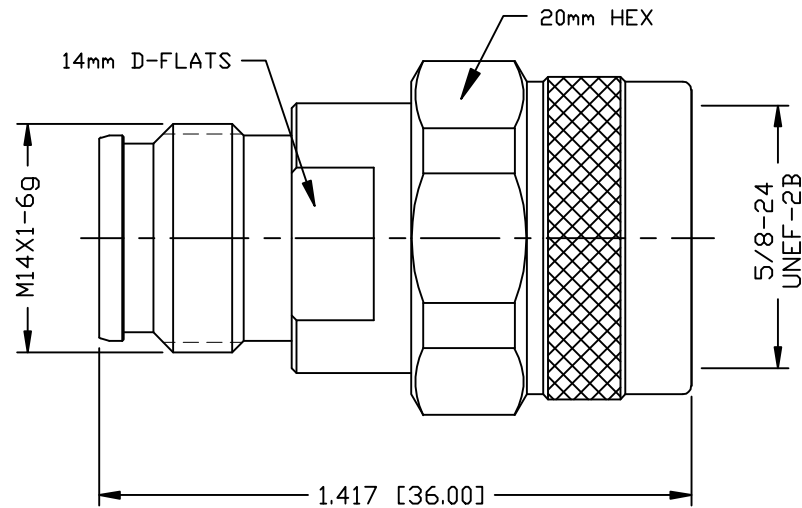


PART NO.

RFD-225F-NM

REV	DESCRIPTION	DWN	DATE	APPROVED
-	ENGINEERING RELEASE	CZS	07/17/20	JDM
A	CHANGED GENERAL SPECIFICATIONS	DM	10/2/20	JDM

**SPECIFICATIONS:**

INTERFACE: IEC61169-66/16

IMPEDANCE: 50 Ohms

FREQUENCY RANGE: 0-6 GHz

RETURN LOSS TYPICAL RESULTS:

0-3 GHz 30 dB

3-6 GHz 26 dB

3rd ORDER IM: ≤ -165 dBc @ 700 MHz & 1900 MHz

3rd ORDER IM TEST METHOD: 2x43 dBm CARRIERS

INSULATION RESISTANCE: 5k M Ω

TEMPERATURE RANGE: -40°C TO 100°C

DURABILITY: >500 (N); >100 (2.2/5) MATING CYCLES

MATING TORQUE: 1.7 Nm (N)

COMPLIANCE/CERTIFICATIONS: RoHS / IP68 MATED

NET WEIGHT: 0.120 lb

NOTE:

CONNECTOR WILL HAVE PROTECTIVE CAPS ON (NOT SHOWN)

CUSTOMER OUTLINE DRAWING		RFconnectors		RF INDUSTRIES, LTD.	
ALL DIMENSIONS ARE REFERENCE ONLY		7610 MIRAMAR RD. SAN DIEGO, CA 92126 (858) 549-6340		(858) 549-6345 FAX	
UNLESS OTHERWISE SPECIFIED: DIMENSIONS ARE IN INCHES AND [MILLIMETERS]		PROPRIETARY AND CONFIDENTIAL THIS DRAWING CONTAINS INFORMATION PROPRIETARY TO RF INDUSTRIES. ANY UNAUTHORIZED USE OF THIS DRAWING IS EXPRESSLY PROHIBITED WITHOUT WRITTEN PERMISSION FROM RF INDUSTRIES. ANY VIOLATION IS PUNISHABLE UNDER U.S. COPYRIGHT LAWS.		2.2/5 FEMALE TO N MALE ADAPTER	
DRAWN D. McREYNOLDS	10/2/20	CABLE GROUP N/A	DWG # RFD-225F-NM	REVISION A	
CHECKED		FORMAT A	SCALE NTS	CONTROL # 000000	SHEET 1 OF 1
ORJ DRAWN C. ZUÑIGA	07/17/20				

#	DESCRIPTION	QTY	MATERIAL	FINISH/COLOR
7	PROTECTIVE CAP	2	PE	CLEAR
6	GASKET	1	SI RUBBER	RED
5	RETAINING RING	1	SST	PASSIVATED
4	GROUND RING	1	PHOSPHOR BRONZE	CuSnZn ALLOY
3	CONTACT PIN	1	PHOSPHOR BRONZE	SILVER
2	INSULATOR	1	PTFE	WHITE
1	BODY	1	BRASS	CuSnZn ALLOY