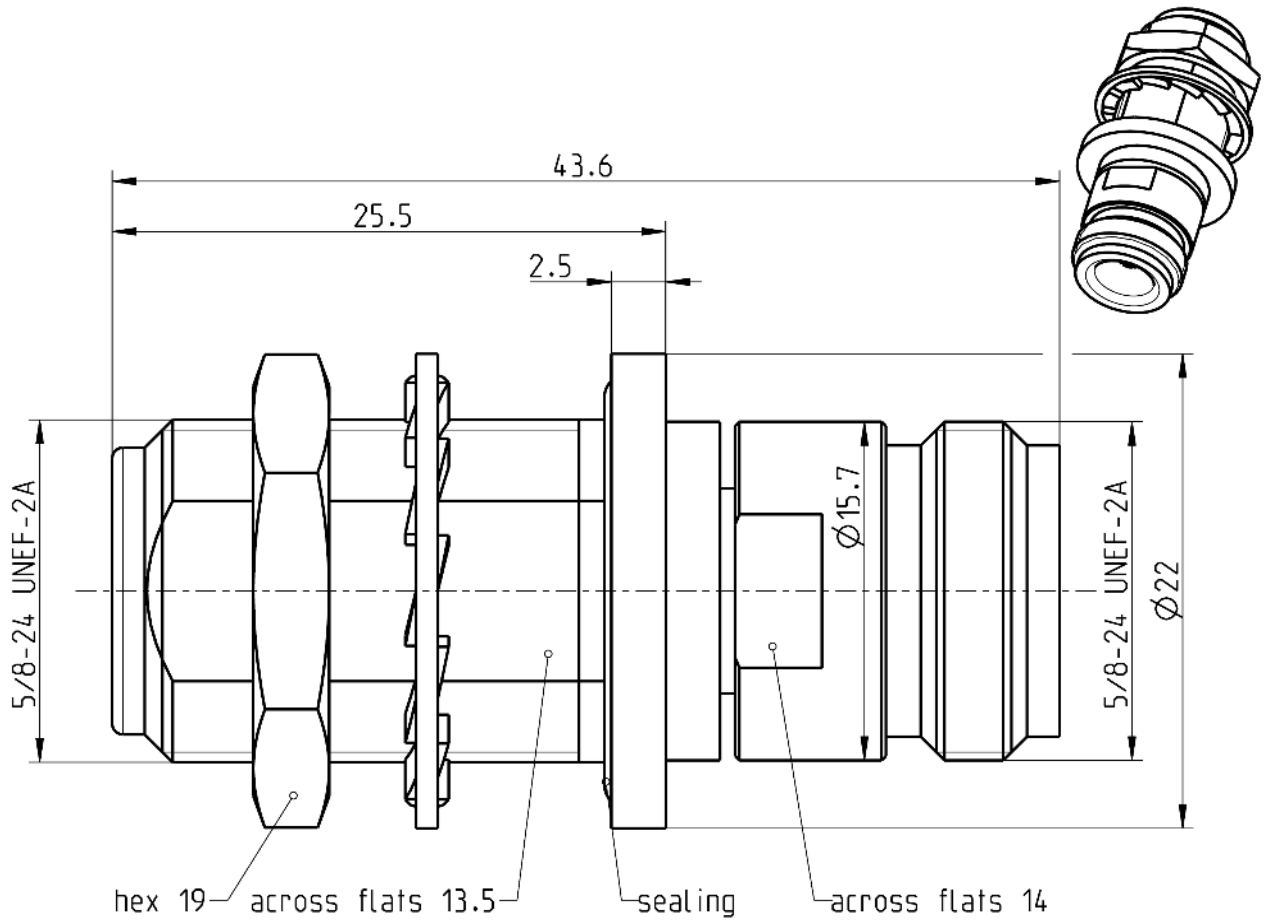


RPC-N  
50 Ω

Adaptor  
jack – jack

**05K521-K00S3**



All dimensions are in mm; tolerances according to ISO 2768 m-H

**Interface**

According to

IEC 61169-16; MIL-STD 348A/402

**Documents**

Panel piercing

B 13

**Material and plating**

**Connector parts**

- Center contact
- Outer contact
- Dielectric
- Gasket
- Hexagon nut
- Toothed lock washer

**Material**

- CuBe
- Stainless steel
- PPE
- NBR
- Brass
- Stainless steel

**Plating**

- Gold, min. 1.27 μm, over chemical nickel
- Passivated
- White bronze(e.g. Optalloy®)
- Passivated

Dieses Dokument ist urheberrechtlich geschützt • This document is protected by copyright • Rosenberger Hochfrequenztechnik GmbH & Co. KG

RF\_35/09;14/6.2

RPC-N  
50 Ω

Adaptor  
jack – jack

**05K521-K00S3**

**Electrical data**

Impedance 50 Ω  
 Frequency DC to 18 GHz  
 Return loss ≥ 26 dB, DC to 18 GHz  
 Insertion loss ≤ 0.05 x √f(GHz) dB  
 Insulation resistance ≥ 5 GΩ  
 Test voltage (at sea level) 2500 V rms  
 Working voltage (at sea level) 1000 V rms  
 RF-leakage ≥ 90 dB up to 1 GHz

**Mechanical data**

Mating cycles ≥ 500  
 Center contact captivation ≥ 28 N  
 Coupling test torque 1.70 Nm  
 Recommended torque 0.70 Nm to 1.10 Nm

**Environmental data**

Temperature range -40°C to +85°C  
 Thermal shock IEC 61169-1, Subclause 9.4.4  
 Corrosion IEC 61169-1, Subclause 9.4.6  
 Vibration IEC 61169-1, Subclause 9.3.3  
 Shock IEC 61169-1, Subclause 9.3.14  
 Moisture resistance IEC 61169-1, Subclause 9.4.3  
 RoHS compliant

**Tooling**

N/A

**Suitable cables**

N/A

**Weight**

55.2 g/pce

While the information has been carefully compiled to the best of our knowledge, nothing is intended as representation or warranty on our part and no statement herein shall be construed as recommendation to infringe existing patents. In the effort to improve our products, we reserve the right to make changes judged to be necessary.

Draft	Date	Approved	Date	Rev.	Engineering change number	Name	Date
H. Babinger	19.10.06	F. Reiner	17.10.18	c00	19-1952	A. Youmsi	17.10.19