

4

3

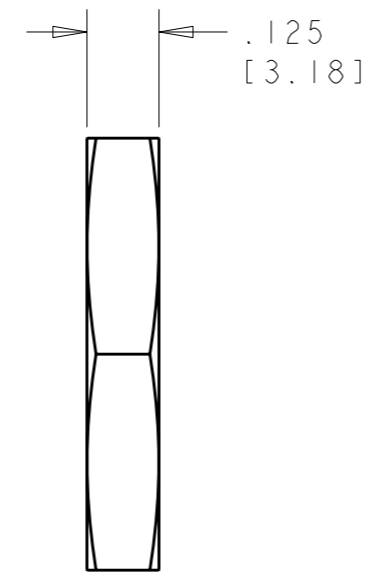
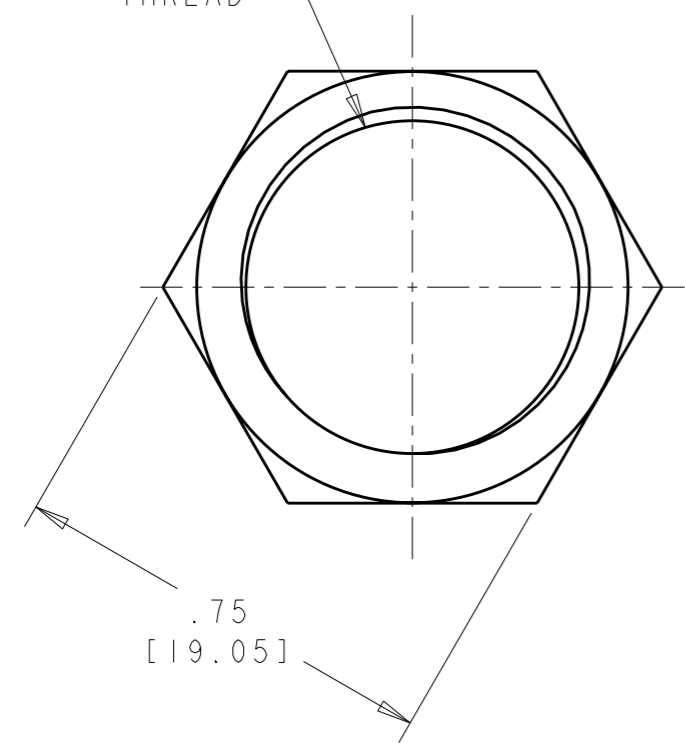
2

1

THIS DRAWING IS UNPUBLISHED. RELEASED FOR PUBLICATION 20
 © COPYRIGHT 20 BY TYCO ELECTRONICS CORPORATION. ALL RIGHTS RESERVED.

LOC	DIST	REVISIONS			
P	LTR	DESCRIPTION	DATE	DWN	APVD
FT	0	A	RELEASED EC 0G3B-0362-03	18JUL2003	SW HW
		AI	REVISED PER ECO-07-003908	26FEB2007	SS MS

5/8-24 UNEF-2B
 THREAD



1. BULK PACKAGED IN QTY OF 100.

△ 2 FINISH: NICKEL PLATE

1604196-1
 PART NUMBER

THIS DRAWING IS A CONTROLLED DOCUMENT FOR TYCO ELECTRONICS CORPORATION
 IT IS SUBJECT TO CHANGE AND THE CONTROLLING ENGINEERING ORGANIZATION
 SHOULD BE CONTACTED FOR THE LATEST REVISION.

DIMENSIONS: in [mm]	TOLERANCES UNLESS OTHERWISE SPECIFIED:
	0 PLC ±-
	1 PLC ±-
	2 PLC ±-
	3 PLC ±-
	4 PLC ±-
	ANGLES ±-
MATERIAL BRASS	FINISH - △ 2

DWN	S WIEST	18JUN2002
CHK	G DOUTY	18JUN2002
APVD	H WAKFFM	18JUL2003
PRODUCT SPEC	-	
APPLICATION SPEC	-	
WEIGHT	-	
CUSTOMER DRAWING		

tyco Electronics		Tyco Electronics Harrisburg, PA 17105-3608	
NAME JAM NUT 5/8-24 UNEF-2B MINI CPC			
SIZE	CAGE CODE	DRAWING NO	RESTRICTED TO
A3	00779	C-1604196	-
SCALE 3:1		SHEET 1	OF 1
		REV	AI