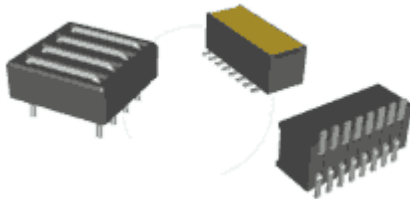


# Steward

Advanced Ferrite Materials, EMI Suppression, and Inductive Products

Ferrite Product Lines • New Products • Technical • General • Contact • Steward Sales

## Multi-Line Arrays - Power Filtering



Steward's multi-line ferrite products provide economical EMI filtering of differential mode noise in surface mount and through-hole PCB applications. They are designed to provide high frequency suppression of both common and differential mode EMI noise on groups of data/power lines. Steward's multi-line ferrites, are rated up to 10 amperes per filtered channel. Their rugged construction provides superior protection against transient events as well as much higher peak current handling capability than other EMI suppression devices.

STEWARD PART NUMBERING SYSTEM					
25	F	0330	- 2	S	R
MATERIAL TYPE	PRODUCT CODE	PART SIZE CODE	SELECTED DIMENSION CODE	ADDITIONAL DESCRIPTION	PACKAGING CODE

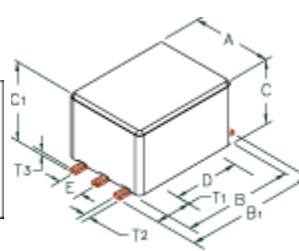


Figure #1

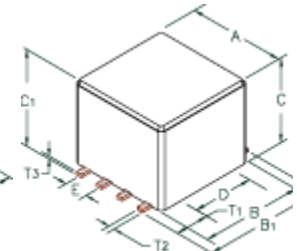


Figure #2

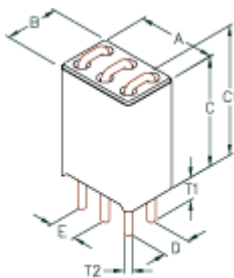


Figure #3

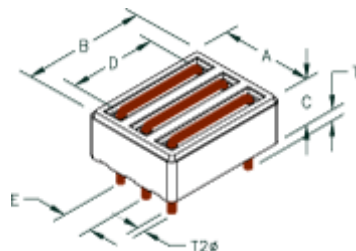


Figure #4

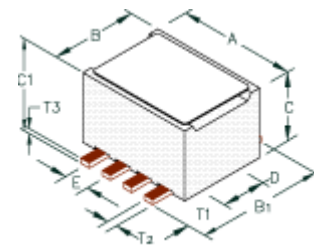


Figure #5

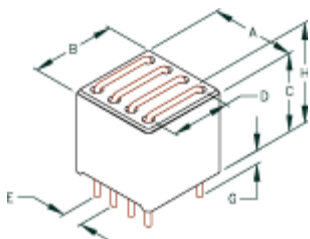


Figure #6

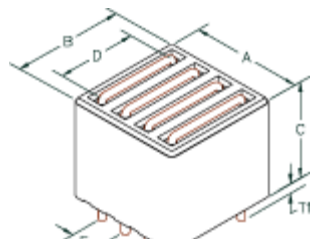


Figure #7

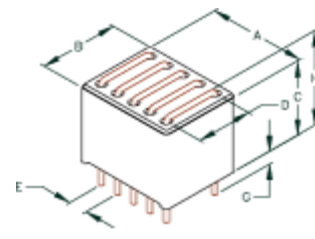


Figure #8

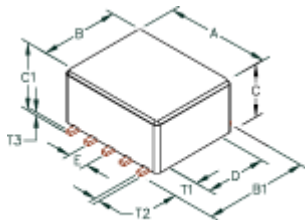


Figure #9

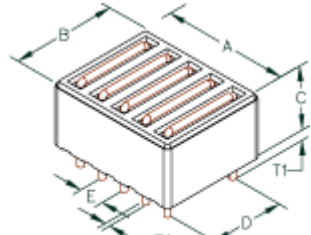


Figure #10

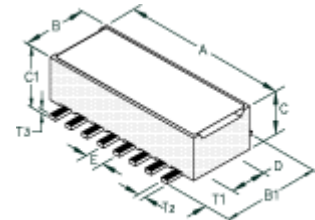


Figure #11

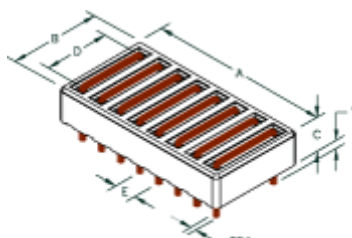


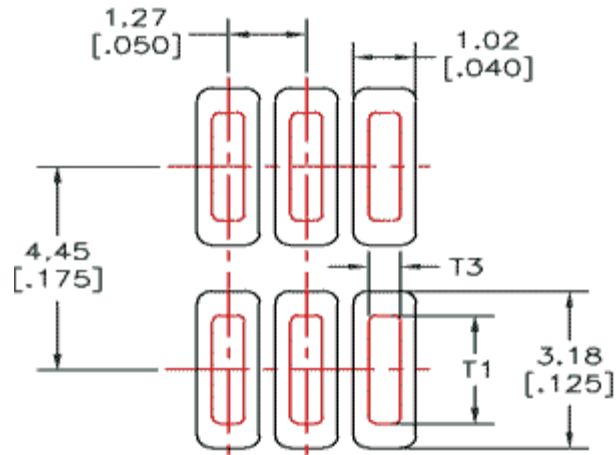
Figure #12

Click on the Part Number links below to view the performance curves

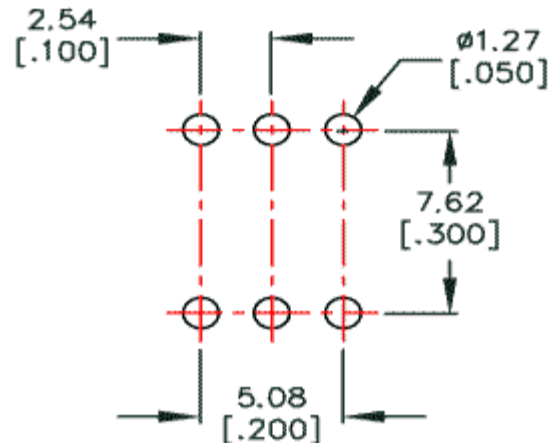
Part Number	Fig #	NET Z @ 100MHz nom	NET Z @ 300MHz nom	DCR Max	Rated Current mA	A mm
		A ↓ Z ↓ Z ↓ A ↓	A ↓ Z ↓ Z ↓ A ↓	A ↓ Z ↓ Z ↓ A ↓	A ↓ Z ↓ Z ↓ A ↓	A ↓ Z ↓ Z ↓ A ↓
<a href="#">25F0330-2SR</a>	1	0.0	255	0.01	9000	8.33
<a href="#">25F0430-2SR</a>	2	0.0	255	0.01	8000	10.87
<a href="#">29F0303-0T0</a>	3	266	0.0	0.01	8000	7.62
<a href="#">29F0318-0SR</a>	1	83	0.0	0.01	6000	4.83
<a href="#">29F0318-1SR</a>	1	119	0.0	0.01	6000	4.83
<a href="#">29F0328-0T0</a>	3	342	0	0.01	10000	8.34
<a href="#">29F0330-0T0</a>	4	126	0	0.01	8000	8.33
<a href="#">29F0330-2SR</a>	1	200	0.0	0.01	9000	8.33
<a href="#">29F0330-2T0</a>	4	200	0.0	0.01	8000	8.33



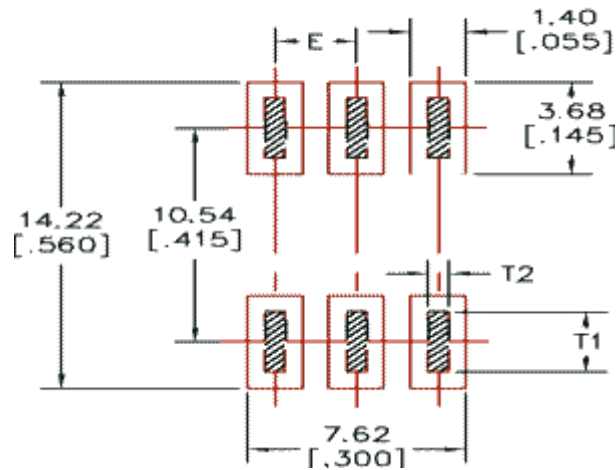
**\*\*F0318 (Surface)**



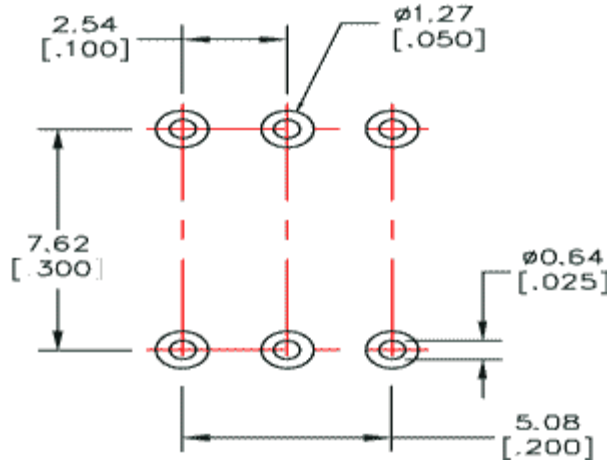
**\*\*F0328 (THRU-HOLE)**



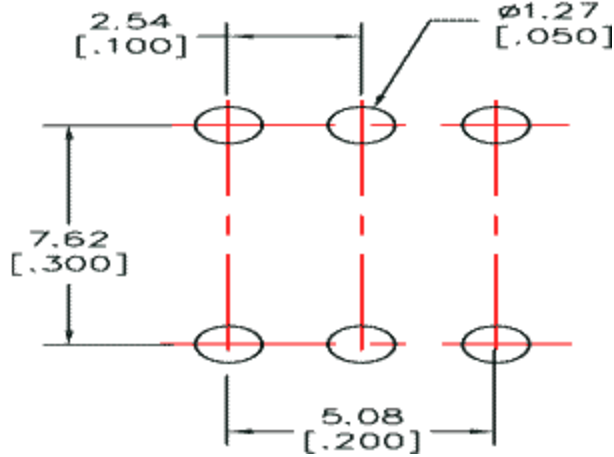
**\*\*F0330 (Surface)**



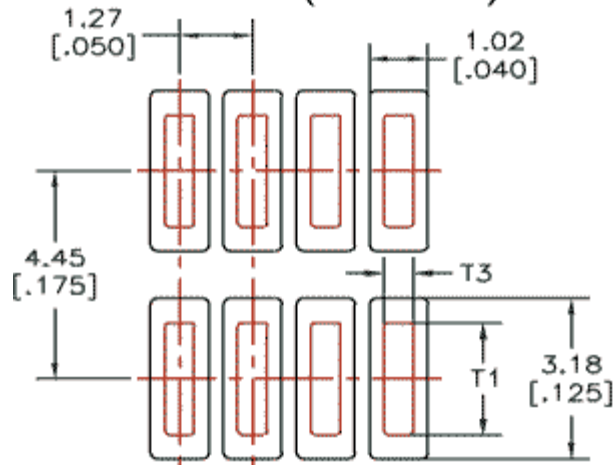
**\*\*F0330 (THRU-HOLE)**



**\*\*F0330-2(Surface)**

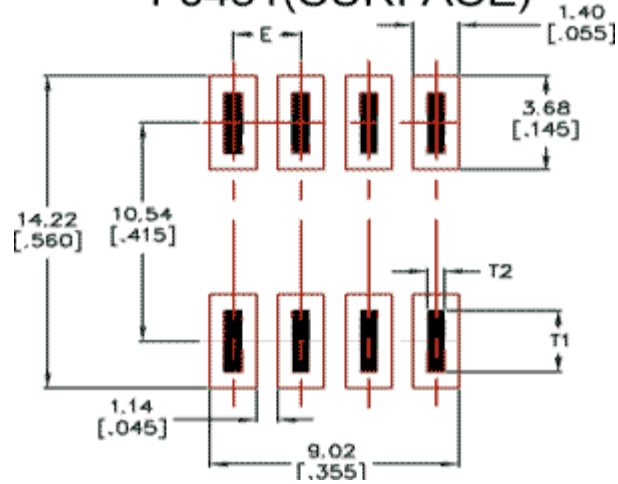


**\*\*F0418(Surface)**

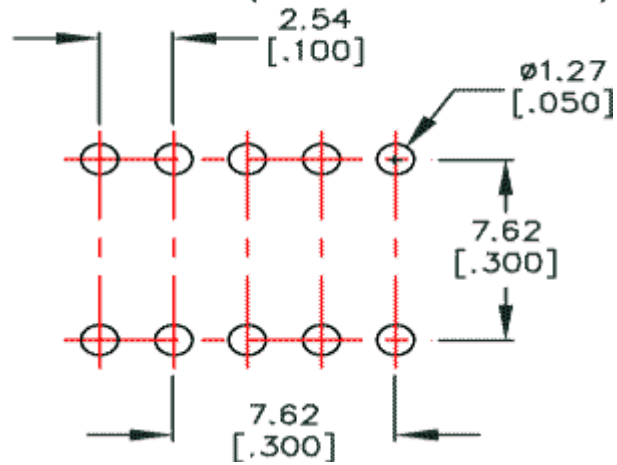




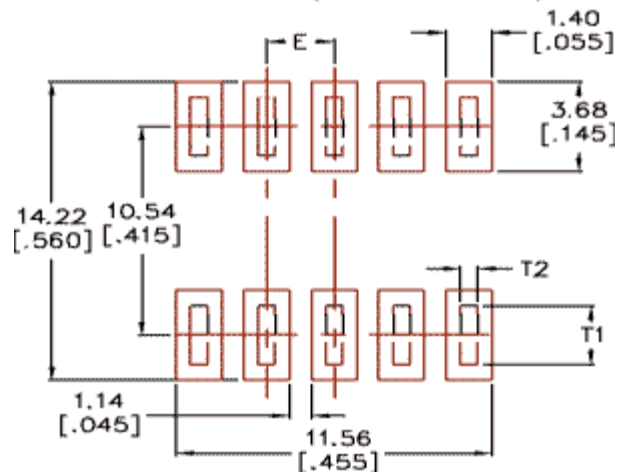
**\*\*F0431(SURFACE)**



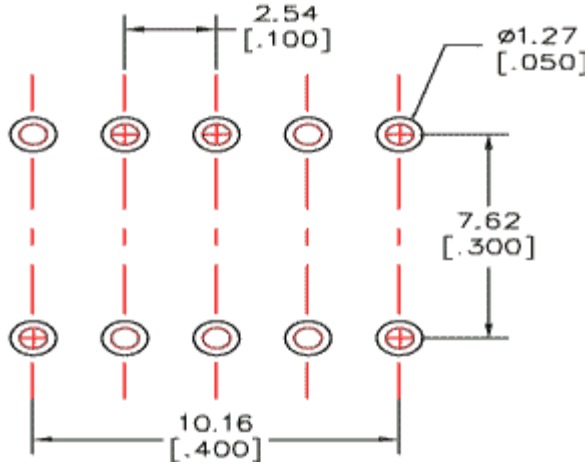
**\*\*F0528(THRU-HOLE)**



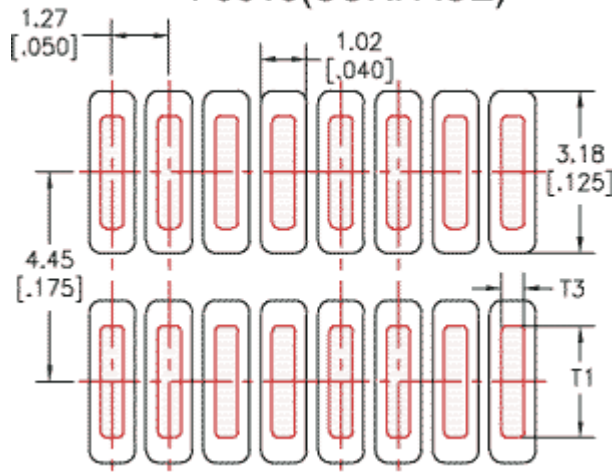
**\*\*F0530(SURFACE)**



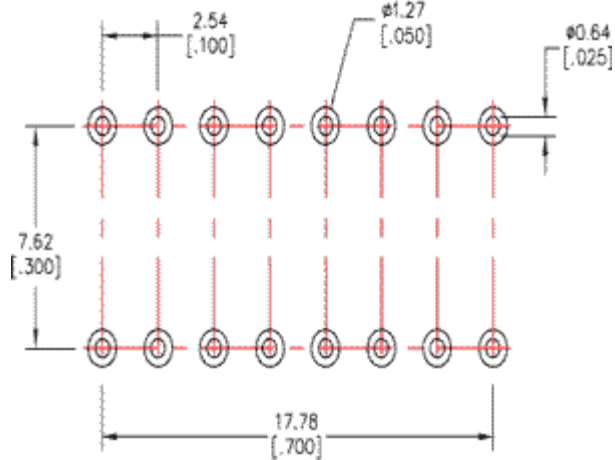
**\*\*F0530(THRU-HOLE)**



**\*\*F0818(SURFACE)**



**\*\*F0830(THRU-HOLE)**



americas@steward.com

mexico@steward.com

europa@steward.com

asia@stew.com

Copyright© 2003 Steward, Inc.

Last Updated: 3/18/2003