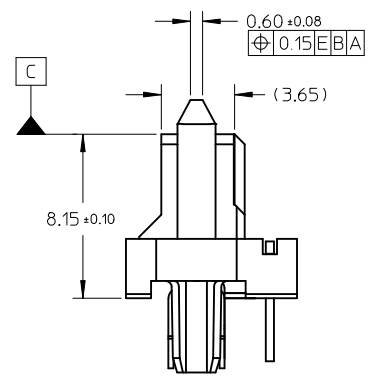
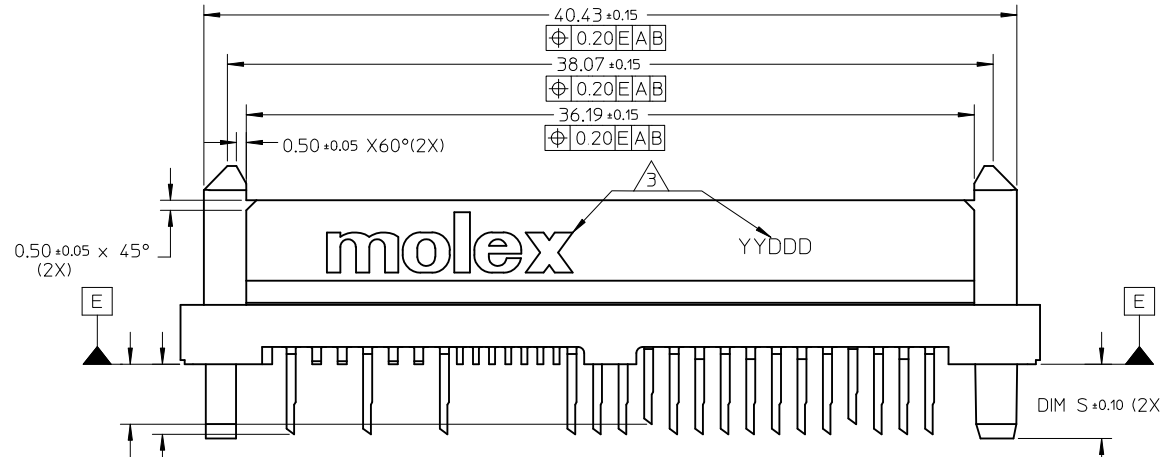
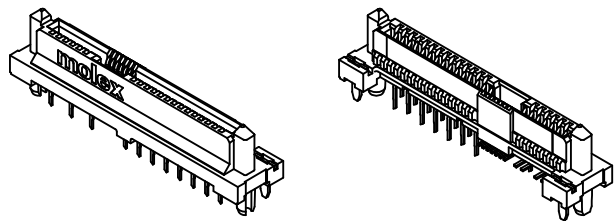


- NOTES:
- MATERIAL: LIQUID CRYSTALLINE POLYMER (LCP), GLASS FILLED, UL 94V-0, COLOR: BLACK
TERMINAL: COPPER ALLOY
 - PLATING:
CONTACT: 0.76µm MIN. SELECTIVE GOLD OVER 1.27µm MIN. NICKEL UNDERPLATE.
SOLDERTAIL: 2.54µm MIN. TIN OVER 1.27 µm MIN. NICKEL UNDERPLATE.
 - MOLEX LOGO AND DATE CODE LOCATED APPROXIMATELY AS SHOWN.
 - PACKAGING: SEE TABLE
 - PRODUCT IS COMPLIANT TO RoHS DIRECTIVE WITH THE FOLLOWING BANNED SUBSTANCES - LEAD, MERCURY, CADMIUM, HEXAVALENT CHROMIUM, POLYBROMINATED BIPHENYLS AND POLYBROMINATED DIPHENYL ETHERS.
 - PRODUCT SPECIFICATION PS-87839-041 APPLIES.
 - MATES WITH: SFF-8482 PLUG
SATA PLUG SERIES: 87679, 87703, 87799



DIM Q ± 0.15 (2X)
DIM P ± 0.15 (2X)

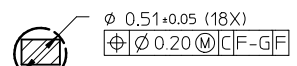
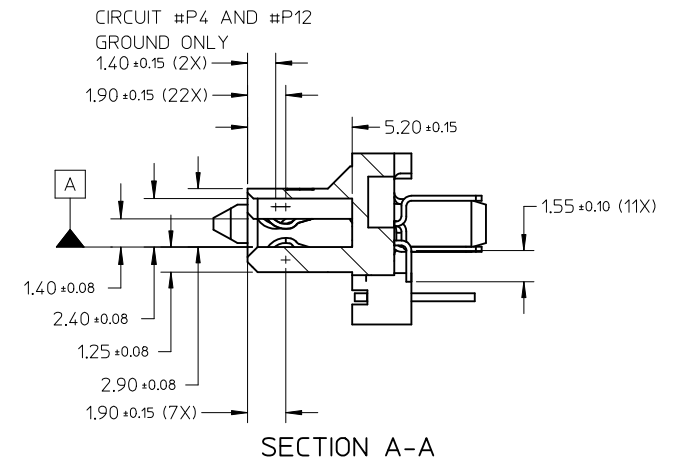
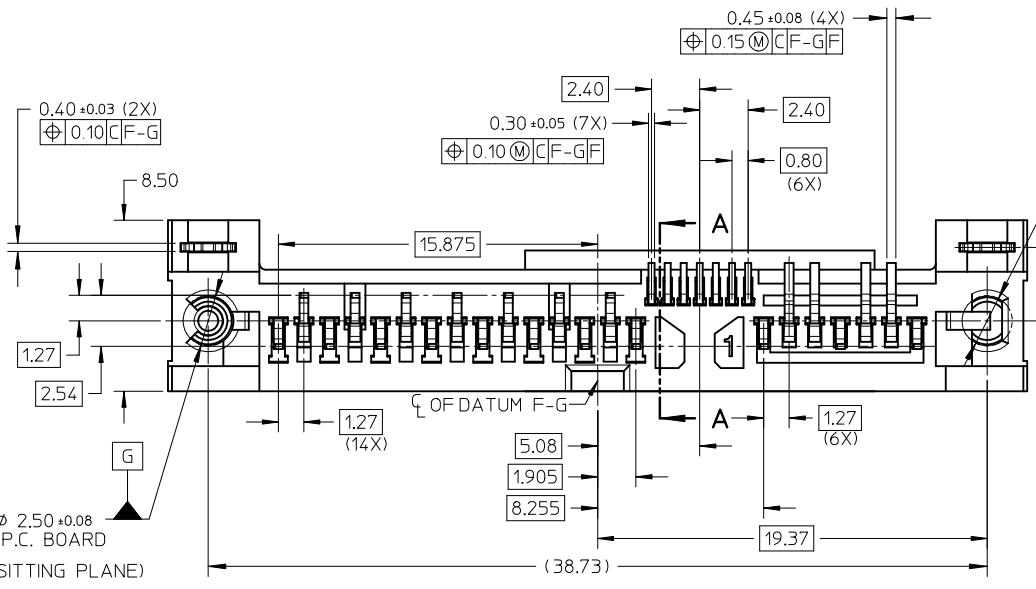
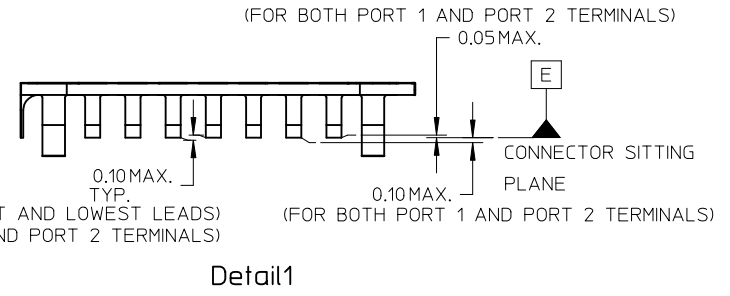
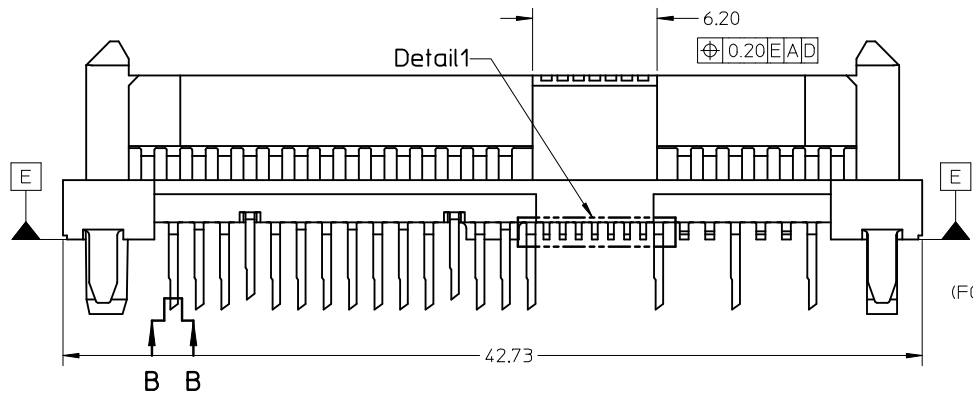


STANDARDISED TRAY	EC NO: S2012-0424	2011/11/22	QUALITY SYMBOLS ▽=0 ◻=0
	DRWN:ATSEE	2011/12/01	
	CHKD:SKANG	2011/12/01	
	APPR:MLONG	2011/12/01	
A7	DESCRIPTION		

GENERAL TOLERANCES (UNLESS SPECIFIED)	4 PLACES	± ---	± ---
	3 PLACES	± ---	± ---
	2 PLACES	± 0.20	± ---
	1 PLACE	± ---	± ---
	ANGULAR ± 3 °		
DRAFT WHERE APPLICABLE MUST REMAIN WITHIN DIMENSIONS			

DIMENSION STYLE		SCALE		DESIGN UNITS	
MM ONLY		NTS		METRIC	
DRAWN BY	DATE	TITLE			
DKOH	2004/11/23	SERIAL ATTACH SCSI RECEPTACLE, HYBRID STANDARD HEIGHT			
CHECKED BY	DATE	MOLEX INCORPORATED			
KCLING	2004/12/01	DOCUMENT NO.			
APPROVED BY	DATE	SHEET NO.			
SKTOH	2004/12/01	1 OF 4			
MATERIAL NO.		SEE TABLE			
SD-87839-040		THIS DRAWING CONTAINS INFORMATION THAT IS PROPRIETARY TO MOLEX INCORPORATED AND SHOULD NOT BE USED WITHOUT WRITTEN PERMISSION			

10 9 8 7 6 5 4 3 2 1



SECTION B-B

STANDARDISED TRAY	QUALITY SYMBOLS
EC NO: S2012-0474	▽=0
DRWN:ATSEE	◻=0
CHKD:SKANG	
APPR:MLONG	
REV	DESCRIPTION
A7	

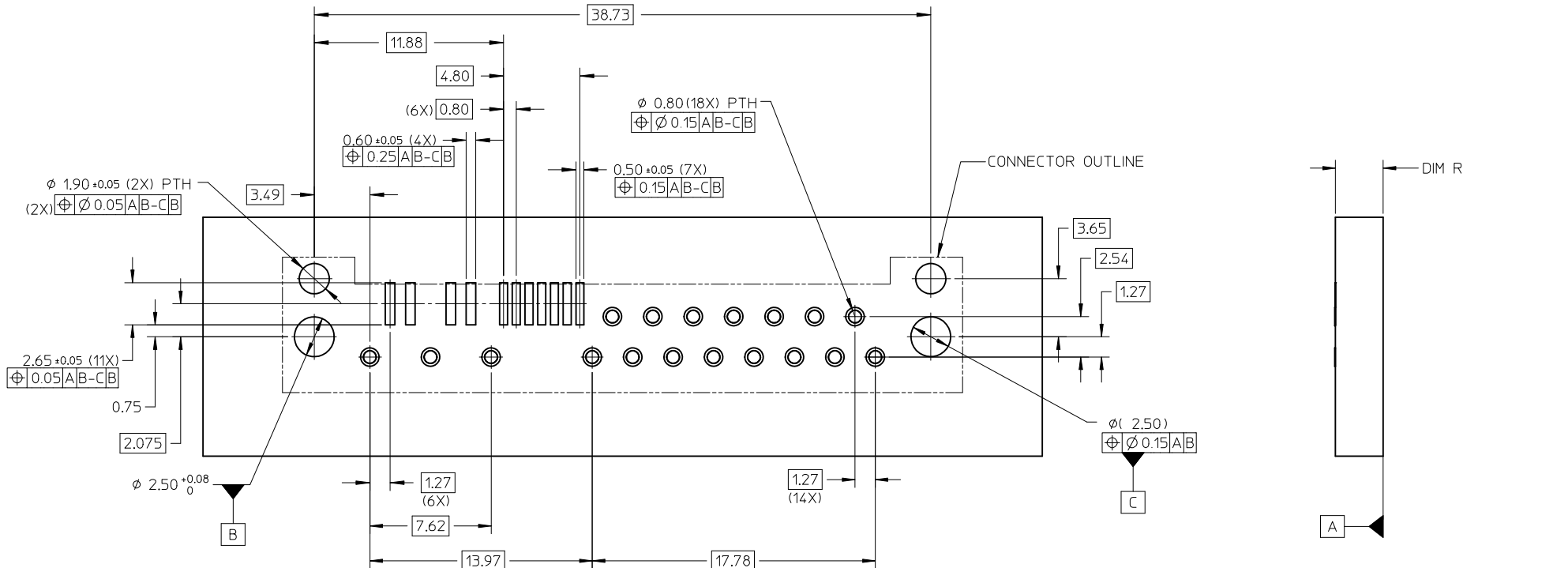
GENERAL TOLERANCES (UNLESS SPECIFIED)	
mm	INCH
4 PLACES ± ---	± ---
3 PLACES ± ---	± ---
2 PLACES ± 0.20	± ---
1 PLACE ± ---	± ---
ANGULAR ± 3 °	
DRAFT WHERE APPLICABLE MUST REMAIN WITHIN DIMENSIONS	

DIMENSION STYLE	
MM ONLY	
DRAWN BY	DATE
DKOH	2004/11/23
CHECKED BY	DATE
KCL ING	2004/12/01
APPROVED BY	DATE
SKTOH	2004/12/01
MATERIAL NO.	
SEE TABLE	
SIZE	
A3	

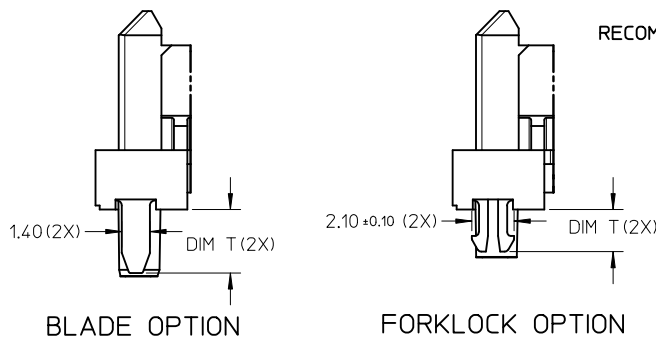
SCALE	DESIGN UNITS	THIRD ANGLE PROJECTION
NTS	METRIC	
TITLE		
SERIAL ATTACH SCSI RECEPTACLE, HYBRID STANDARD HEIGHT		
MOLEX INCORPORATED		
DOCUMENT NO.	SHEET NO.	
SD-87839-040	2 OF 4	
THIS DRAWING CONTAINS INFORMATION THAT IS PROPRIETARY TO MOLEX INCORPORATED AND SHOULD NOT BE USED WITHOUT WRITTEN PERMISSION		

9 8 7 6 5 4 3 2 1

10	9	8	7	6	5	4	3	2	1
PART NO	PACKAGING	QUANTITY	HOLD DOWN	PICK AND PLACE CAP	DIM P (16X) (PORT 1 AND POWER PORT) (EXCLUDING P4 AND P12)	DIM Q (2X) (PORT P4 AND P12)	DIM R PCB THICKNESS	DIM S (2X) PEG HEIGHT	DIM T (2X) BLADE/FORKLOCK HEIGHT
87839-0011	TRAY	50/TRAY	BLADE	YES	3.49±0.15	2.99±0.15	3.00±0.10	3.70±0.10	3.12
87839-0019	TRAY	50/TRAY	BLADE	NO	3.49±0.15	2.99±0.15	3.00±0.10	3.70±0.10	3.12
87839-0017	TAPE AND REEL	350/REEL	BLADE	YES	3.49±0.15	2.99±0.15	3.00±0.10	3.70±0.10	3.12
87839-0018	TAPE AND REEL	350/REEL	BLADE	YES	2.36±0.15	2.36±0.15	2.36±0.10	2.00±0.10	2.36
87839-0039	TAPE AND REEL	350/REEL	FORKLOCK	YES	2.11±0.15	2.11±0.15	2.36±0.10	2.00±0.10	2.06



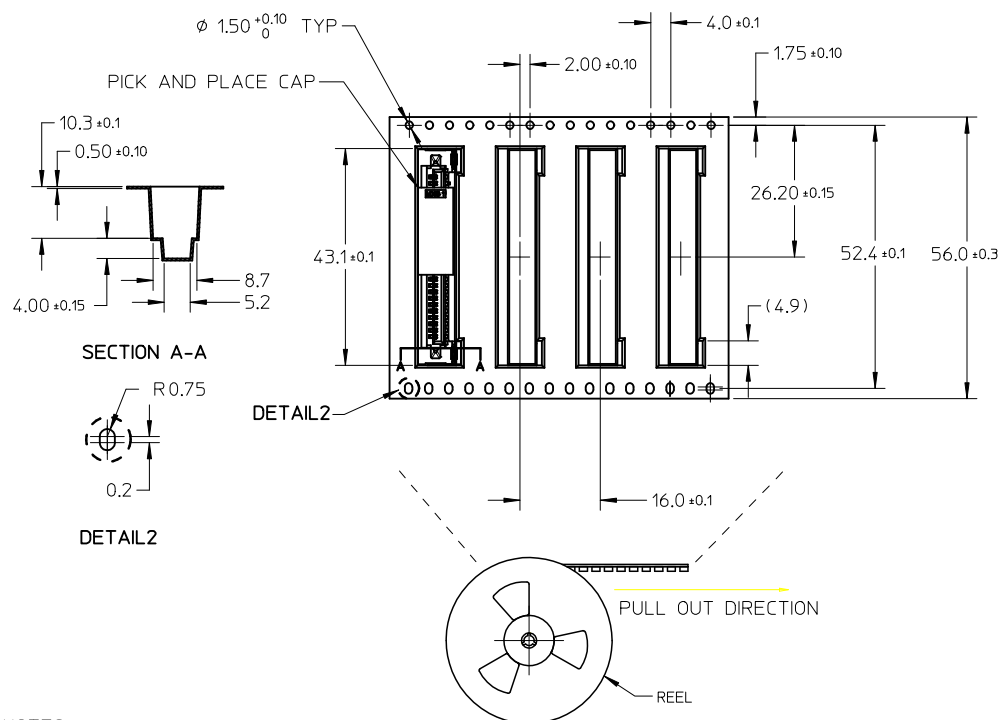
RECOMMENDED PCB LAYOUT
RECOMMENDED PCB THICKNESS DIM R±0.10



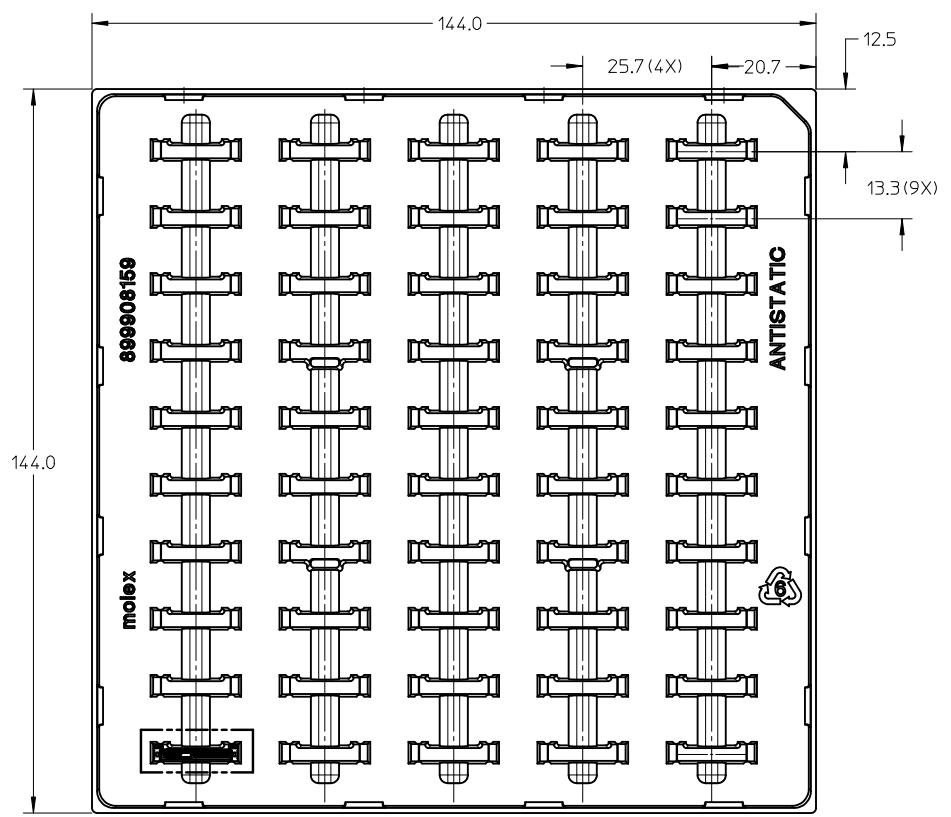
STANDARDISED TRAY EC NO: S2012-0474 DRAWN BY: DRWINATSEE CHKD: SKANG APPR: MLONG 2011/11/22 2011/12/01 2011/12/01	QUALITY SYMBOLS ▽=0 ◻=0	GENERAL TOLERANCES (UNLESS SPECIFIED)		DIMENSION STYLE MM ONLY	SCALE NTS	DESIGN UNITS METRIC	THIRD ANGLE PROJECTION
		4 PLACES ± --- ± --- 3 PLACES ± --- ± --- 2 PLACES ± 0.20 ± --- 1 PLACE ± --- ± ---	mm INCH	DRAWN BY: DKOH DATE: 2004/11/23	TITLE: SERIAL ATTACH SCSI RECEPTACLE, HYBRID STANDARD HEIGHT		
		ANGULAR ± 3 °	CHECKED BY: KCL ING DATE: 2004/12/01	APPROVED BY: SKTOH DATE: 2004/12/01	MOLEX INCORPORATED		
		DRAFT WHERE APPLICABLE MUST REMAIN WITHIN DIMENSIONS	MATERIAL NO.: SEE TABLE	DOCUMENT NO.: SD-87839-040	SHEET NO.: 3 OF 4		

10 9 8 7 6 5 4 3 2 1

TAPE AND REEL PACKAGING

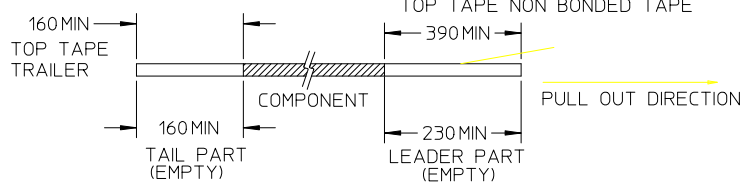


TRAY PACKAGING

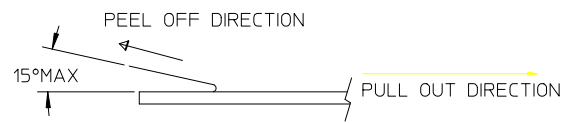


NOTES:

1. LEADER AND TRAILER TAPE



2. PEELING OFF FORCE OF THE TOP TAPE: 80gf MAX.
(PEELING DIRECTION AS SHOWN IN FOLLOWING FIGURE)



- 3. PACKAGING QTY IS: 350 PCS/REEL
- 4. PACKAING STANDARD IS AS PER EIA-481.
- 5. CONNECTOR COMES WITH PICK AND PLACE CAP.

NOTES:

- 1. PACKAGING QTY: 50PCS/TRAY
- 2. NO PICK AND PLACE CAP

STANDARDISED TRAY	EC NO: S2012-0424	2011/11/22	QUALITY SYMBOLS ▽=0 ◻=0
	DRW:NATSEE	2011/12/01	
	CHKD:SKANG	2011/12/01	
	APPR:MLONG	2011/12/01	
REV	A7	DESCRIPTION	

GENERAL TOLERANCES (UNLESS SPECIFIED)	4 PLACES	± ---	± ---
	3 PLACES	± ---	± ---
	2 PLACES	± 0.20	± ---
	1 PLACE	± ---	± ---
	ANGULAR ± 3 °		
DRAFT WHERE APPLICABLE MUST REMAIN WITHIN DIMENSIONS			

DIMENSION STYLE		SCALE	DESIGN UNITS	THIRD ANGLE PROJECTION
MM ONLY		NTS	METRIC	
DRAWN BY	DATE	TITLE		
DKOH	2004/11/23	SERIAL ATTACH SCSI RECEPTACLE, HYBRID STANDARD HEIGHT		
CHECKED BY	DATE	MOLEX INCORPORATED		
KCL ING	2004/12/01	SD-87839-040		
APPROVED BY	DATE	SHEET NO. 4 OF 4		
SKTOH	2004/12/01			
MATERIAL NO.	DOCUMENT NO.			
SEE TABLE				

SERIAL ATTACH SCSI RECEPTACLE, HYBRID STANDARD HEIGHT	
MOLEX INCORPORATED	
SD-87839-040	SHEET NO. 4 OF 4
THIS DRAWING CONTAINS INFORMATION THAT IS PROPRIETARY TO MOLEX INCORPORATED AND SHOULD NOT BE USED WITHOUT WRITTEN PERMISSION	

9 8 7 6 5 4 3 2 1