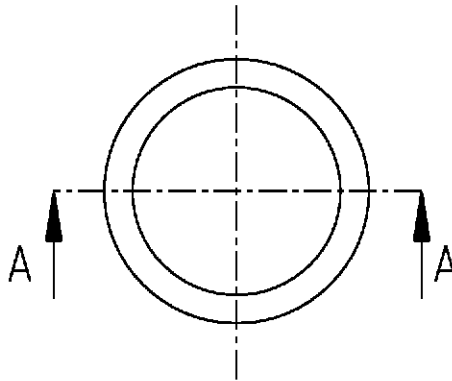
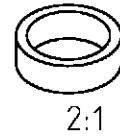
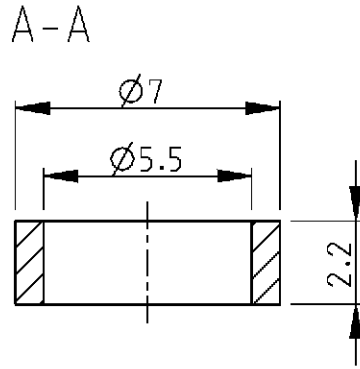


LOC	DIST	REVISIONS			
P	LTR	DESCRIPTION	DATE	DWN	APVD
GW	-	A	-	05APR2001	CM KM




1:1

C23335-A801-C339	1393562-2	Ring	Brass	min 2 µm Ni
Old Nr	Tyco Nr	Description	Material	Plating

2000
 RELEASED FOR PUBLICATION

THIS DRAWING IS UNPUBLISHED.
 COPYRIGHT 2000 BY TYCO ELECTRONICS CORPORATION. ALL RIGHTS RESERVED.

DIMENSIONS: mm	DWN MOROBE 07MAR2001	MATERIAL -	FINISH -
	CHR MATTHEEUWS 08MAR2001	 Tyco Electronics Oostkamp - Belgium	
TOLERANCES UNLESS OTHERWISE SPECIFIED:	APVD BOZZER 5APR2001		
0 PLC ±	PRODUCT SPEC 108-71032	SIZE A 4	CAGE CODE 00779
1 PLC ±0.5	APPLICATION SPEC -	DRAWING NO C=1393562-2	RESTRICTED TO -
2 PLC ±0.13	WEIGHT -	SCALE 5/1 SHEET 1 OF 1 REV A	
3 PLC ±0.013	CUSTOMER DRAWING		
4 PLC ±0.0001			
ANGLES ±			