



Figure similar

Non-reversing motor starter, Size 1 3/4, Three phase full voltage, Solid-state overload relay, OLR amp range 10-40A, 110V 50Hz / 120V 60Hz coil, Combination type, 60A fusible disconnect, 60A/600V fuse clip, Enclosure NEMA type 1, Indoor general purpose use, Extra-wide enclosure

product brand name	Class 17
design of the product	Non-reversing motor starter with fusible disconnect
special product feature	ESP200 overload relay; Half-size controller
General technical data	
weight [lb]	47 lb
Height x Width x Depth [in]	24 × 20 × 8 in
touch protection against electrical shock	NA for enclosed products
installation altitude [ft] at height above sea level maximum	6560 ft
ambient temperature [°F]	
• during storage	-22 ... +149 °F
• during operation	-4 ... +104 °F
ambient temperature	
• during storage	-30 ... +65 °C
• during operation	-20 ... +40 °C
country of origin	USA
Horsepower ratings	
yielded mechanical performance [hp] for 3-phase AC motor	
• at 200/208 V rated value	0 hp
• at 220/230 V rated value	0 hp
• at 460/480 V rated value	15 hp
• at 575/600 V rated value	15 hp
Contactors	
size of contactor	Controller half size 1 3/4
number of NO contacts for main contacts	3
operating voltage for main current circuit at AC at 60 Hz maximum	600 V
operational current at AC at 600 V rated value	40 A
mechanical service life (switching cycles) of the main contacts typical	10000000
Auxiliary contact	
number of NC contacts at contactor for auxiliary contacts	0
number of NO contacts at contactor for auxiliary contacts	1
number of total auxiliary contacts maximum	8
contact rating of auxiliary contacts of contactor according to UL	10A@600VAC (A600), 5A@600VDC (P600)
Coil	
type of voltage of the control supply voltage	AC
control supply voltage	

<ul style="list-style-type: none"> • at AC at 50 Hz rated value • at AC at 60 Hz rated value 	110 V
holding power at AC minimum	120 V
apparent pick-up power of magnet coil at AC	8.6 W
apparent holding power of magnet coil at AC	218 VA
operating range factor control supply voltage rated value of magnet coil	25 VA
percental drop-out voltage of magnet coil related to the input voltage	0.85 ... 1.1
ON-delay time	50 %
OFF-delay time	19 ... 29 ms
	10 ... 24 ms
Overload relay	
product function	
<ul style="list-style-type: none"> • overload protection • phase failure detection • asymmetry detection • ground fault detection • test function • external reset 	Yes
reset function	Yes
trip class	Yes
adjustable current response value current of the current-dependent overload release	Yes
tripping time at phase-loss maximum	Yes
relative repeat accuracy	Yes
product feature protective coating on printed-circuit board	Manual, automatic and remote
number of NC contacts of auxiliary contacts of overload relay	CLASS 5 / 10 / 20 (factory set) / 30
number of NO contacts of auxiliary contacts of overload relay	10 ... 40 A
operational current of auxiliary contacts of overload relay	3 s
<ul style="list-style-type: none"> • at AC at 600 V • at DC at 250 V 	1 %
contact rating of auxiliary contacts of overload relay according to UL	Yes
insulation voltage (Ui)	1
<ul style="list-style-type: none"> • with single-phase operation at AC rated value • with multi-phase operation at AC rated value 	1
	5 A
	1 A
	5A@600VAC (B600), 1A@250VDC (R300)
	600 V
	300 V
Disconnect Switch	
response value of switch disconnecter	60A / 600V
design of fuse holder	Class R fuse clips
operating class of the fuse link	Class R
Enclosure	
degree of protection NEMA rating	1
design of the housing	indoors, usable on a general basis
Mounting/wiring	
mounting position	vertical
fastening method	Surface mounting and installation
type of electrical connection for supply voltage line-side	Box lug
tightening torque [lbf·in] for supply	35 ... 35 lbf·in
type of connectable conductor cross-sections at line-side at AWG cables single or multi-stranded	1x (14 ... 2 AWG)
temperature of the conductor for supply maximum permissible	75 °C
material of the conductor for supply	AL or CU
type of electrical connection for load-side outgoing feeder	Screw-type terminals
tightening torque [lbf·in] for load-side outgoing feeder	45 ... 45 lbf·in
type of connectable conductor cross-sections at AWG cables for load-side outgoing feeder single or multi-stranded	1x (14 ... 2 AWG)
temperature of the conductor for load-side outgoing feeder maximum permissible	75 °C

material of the conductor for load-side outgoing feeder	AL or CU
type of electrical connection of magnet coil	Screw-type terminals
tightening torque [lbf-in] at magnet coil	5 ... 12 lbf-in
type of connectable conductor cross-sections of magnet coil at AWG cables single or multi-stranded	2x (16 ... 12 AWG)
temperature of the conductor at magnet coil maximum permissible	75 °C
material of the conductor at magnet coil	CU
type of electrical connection for auxiliary contacts	Screw-type terminals
tightening torque [lbf-in] at contactor for auxiliary contacts	10 ... 15 lbf-in
type of connectable conductor cross-sections at contactor at AWG cables for auxiliary contacts single or multi-stranded	1x (12 AWG), 2x (16 ... 14 AWG), 2x (18 ... 16 AWG)
temperature of the conductor at contactor for auxiliary contacts maximum permissible	75 °C
material of the conductor at contactor for auxiliary contacts	CU
type of electrical connection at overload relay for auxiliary contacts	Screw-type terminals
tightening torque [lbf-in] at overload relay for auxiliary contacts	7 ... 10 lbf-in
type of connectable conductor cross-sections at overload relay at AWG cables for auxiliary contacts single or multi-stranded	2x (20 ... 14 AWG)
temperature of the conductor at overload relay for auxiliary contacts maximum permissible	75 °C
material of the conductor at overload relay for auxiliary contacts	CU
Short-circuit current rating	
design of the fuse link for short-circuit protection of the main circuit required	10kA@600V (Class H or K); 100kA@600V (Class R or J)
certificate of suitability	NEMA ICS 2; UL 508; CSA 22.2, No.14
Further information	

Industrial Controls - Product Overview (Catalogs, Brochures,...)

www.usa.siemens.com/iccatalog

Industry Mall (Online ordering system)

<https://mall.industry.siemens.com/mall/en/us/Catalog/product?mlfb=US2:17EUE82BF13>

Service&Support (Manuals, Certificates, Characteristics, FAQs,...)

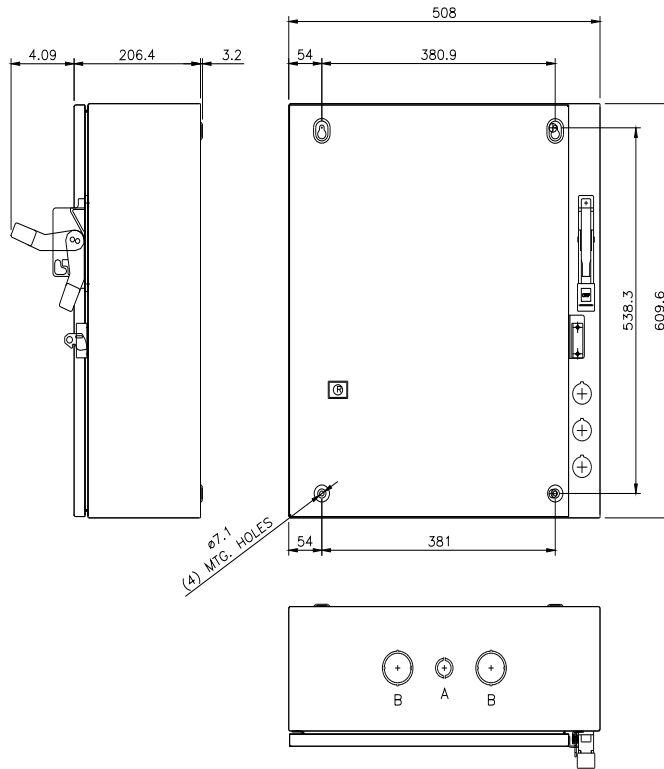
<https://support.industry.siemens.com/cs/US/en/ps/US2:17EUE82BF13>

Image database (product images, 2D dimension drawings, 3D models, device circuit diagrams, EPLAN macros, ...)

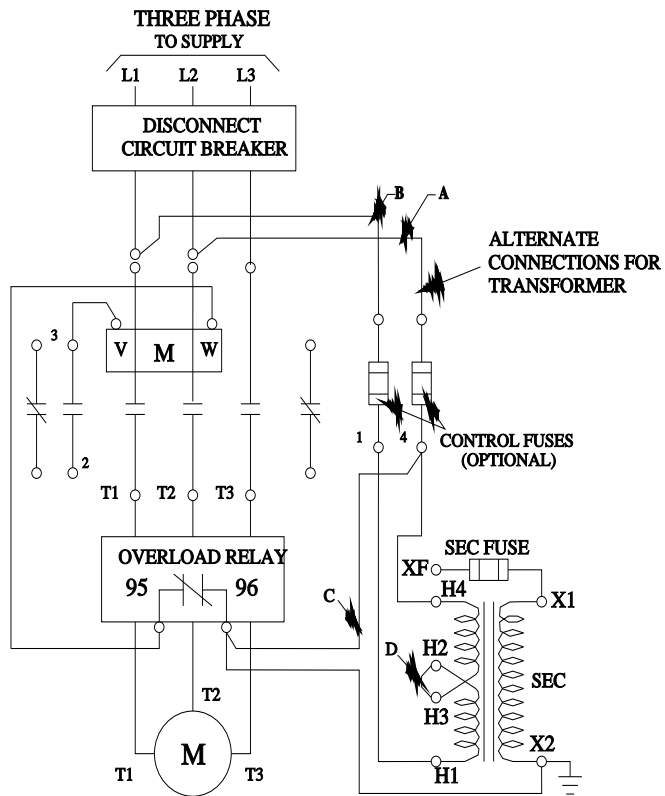
http://www.automation.siemens.com/bilddb/cax_de.aspx?mlfb=US2:17EUE82BF13&lang=en

Certificates/approvals

<https://support.industry.siemens.com/cs/US/en/ps/US2:17EUE82BF13/certificate>



LETTER	CONDUIT SIZE
A	$\phi 12.7$ & $\phi 19$ CONDUIT
B	$\phi 31.8$ & $\phi 38.1$ CONDUIT



D68782001

