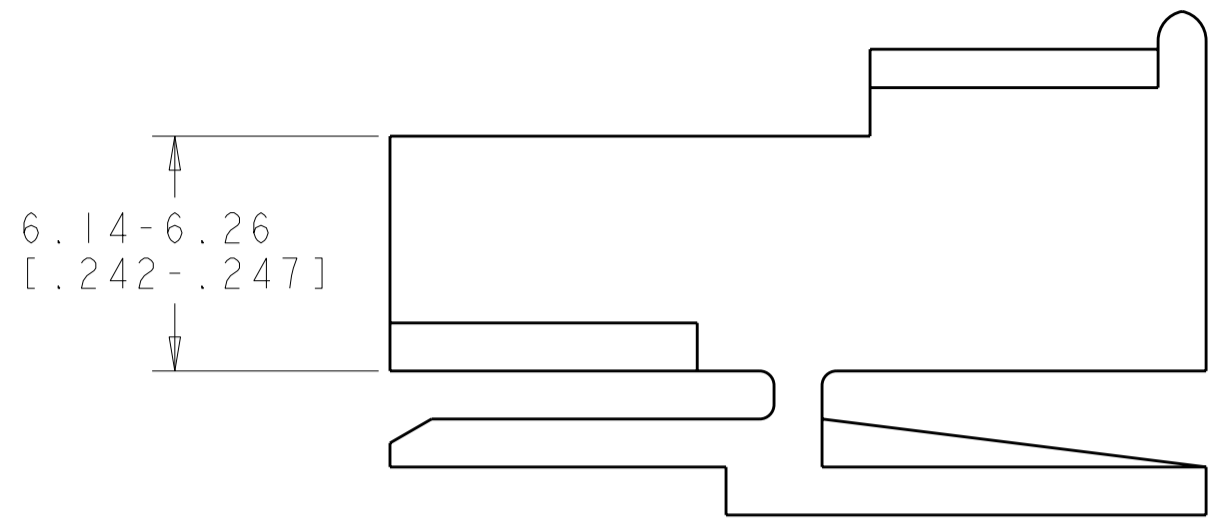
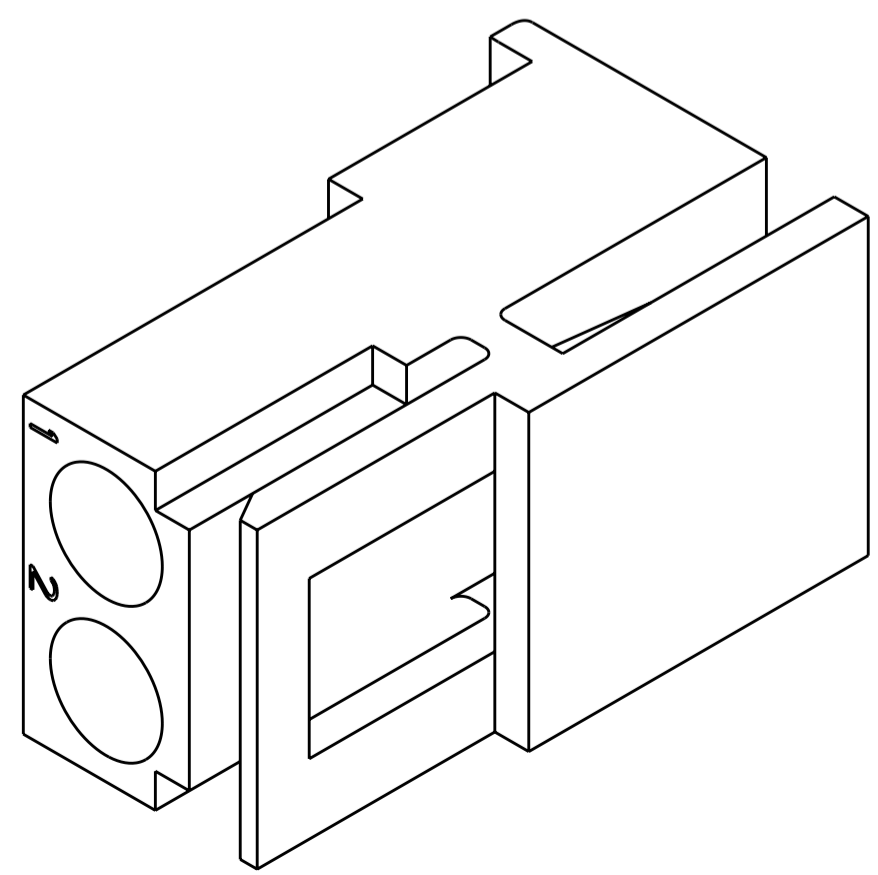
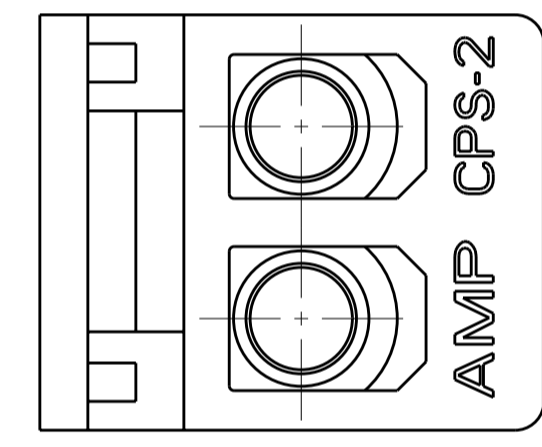
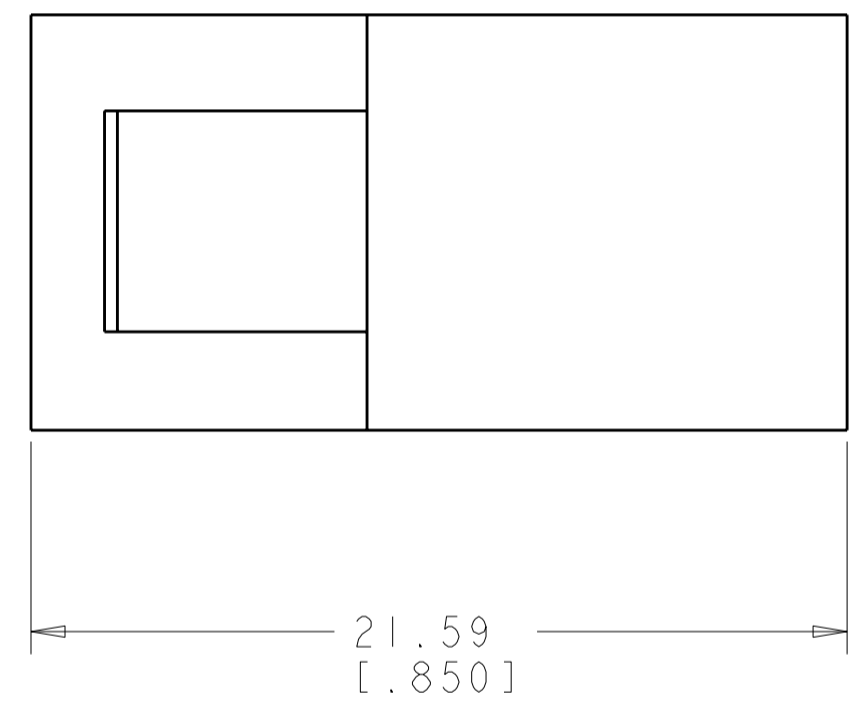
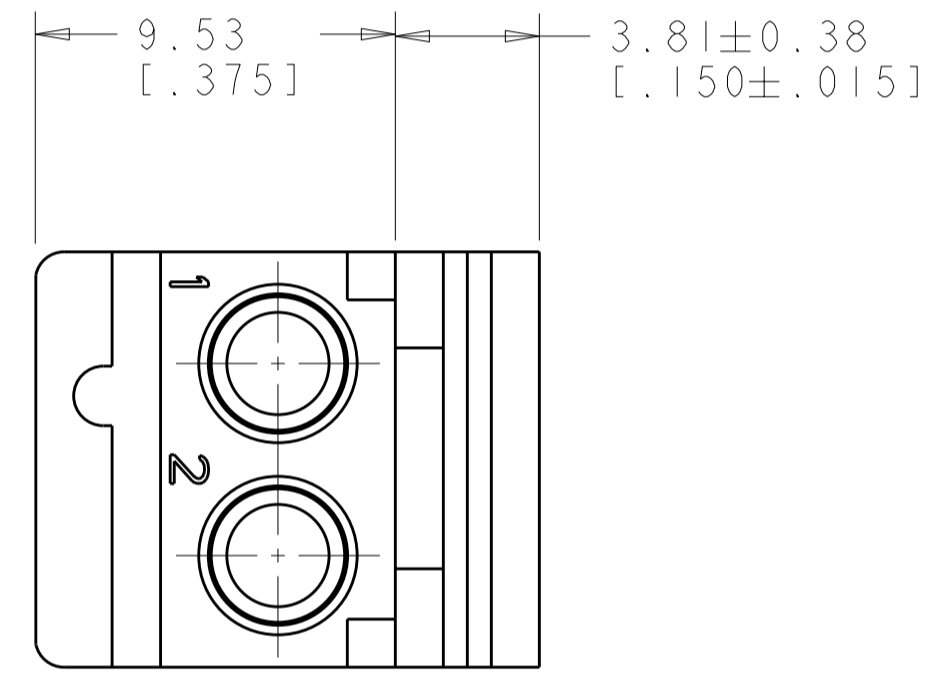


THIS DRAWING IS UNPUBLISHED. RELEASED FOR PUBLICATION 20  
 © COPYRIGHT 20 BY - ALL RIGHTS RESERVED.

LOC		DIST		REVISIONS			
P	LTR	DESCRIPTION	DATE	DWN	APVD		
	J1	REVISED PER ECO-11-005027	18MAR2011	RK	HMR		



1. MATES WITH HEADER 350539, 350540.
2. TO BE USED WITH COMMERCIAL MATE-N-LOK™ SOCKETS.
3. MATES WITH CAP HOUSING 794012.



0.078 IN <sup>3</sup>	1-480720-0
VOLUME	PART NUMBER



THIS DRAWING IS A CONTROLLED DOCUMENT.		DWN K. WHITAKER 27FEB2008	<b>STE</b> TE Connectivity	
DIMENSIONS: mm [ INCHES ]		CHK C. CASH 27FEB2008		
TOLERANCES UNLESS OTHERWISE SPECIFIED:		APVD C. CASH 27FEB2008	NAME PLUG, 2 CIRCUIT, COMMERCIAL MATE-N-LOK(TM)	
0 PLC ± -	1 PLC ± -	PRODUCT SPEC	SIZE	RESTRICTED TO
2 PLC ± 0.13 [ .005 ]	3 PLC ± -	APPLICATION SPEC	A2	-
4 PLC ± -	ANGLES ± 0°30'	WEIGHT	CAGE CODE	DRAWING NO
FINISH			00779	480720
MATERIAL NYLON, NATURAL		CUSTOMER DRAWING	SCALE 5:1	SHEET 1 OF 1 REV J1