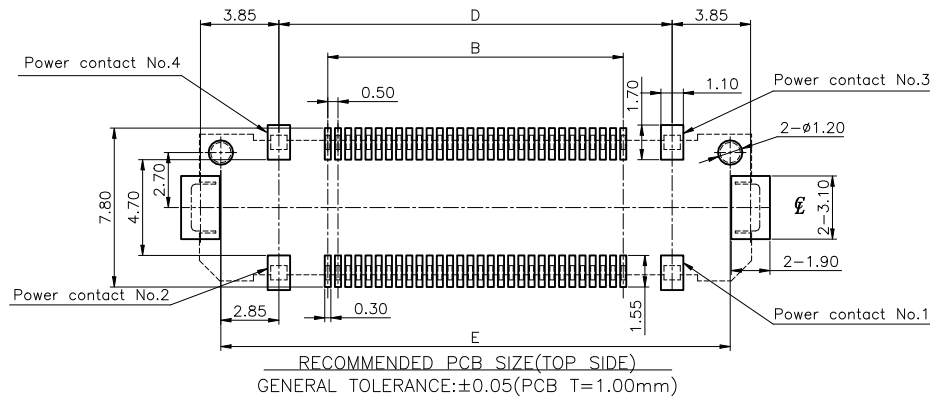
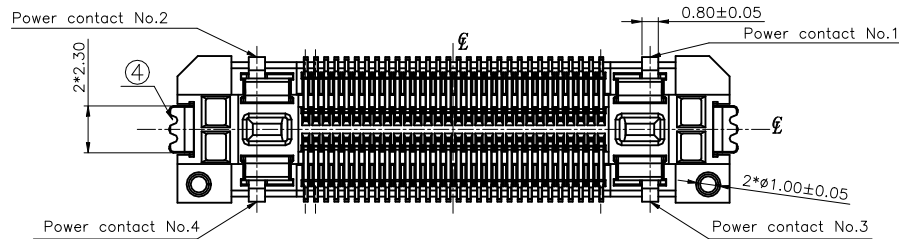
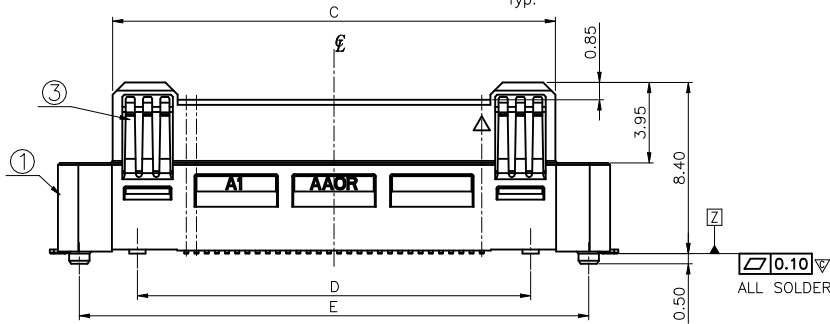
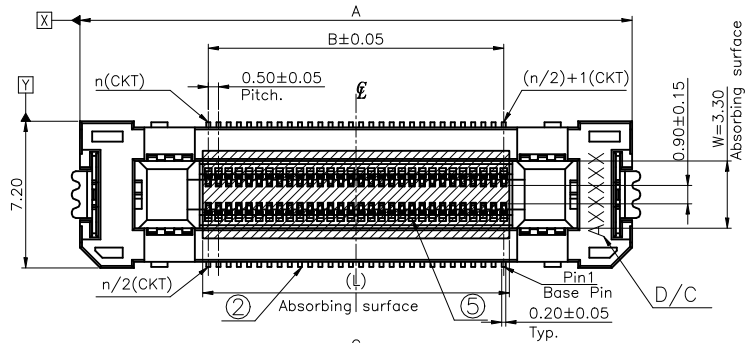
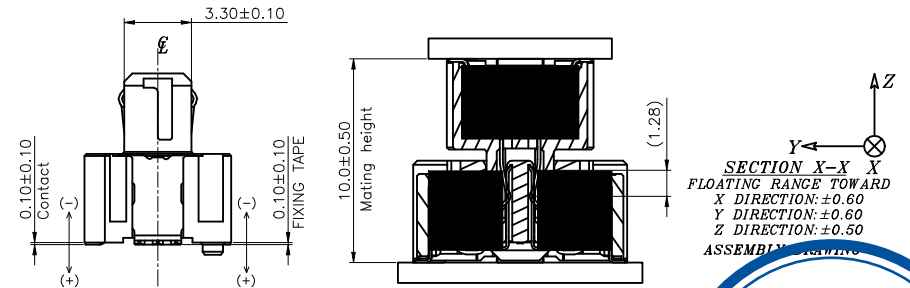


Halogen free



REV.	ECR/ECN No.	DESCRIPTION	DRAWN/DATE	CHECKED/DATE	APPROVED/DATE
C	/	Mylar changed to yellow	SH Chen 2021-10-09	May 2021-10-09	Rain 2021-10-09

NO.	COMPONENTS	MATERIALS	SPECIFICATION:FINISH/COLOR	QTY.
1	HOUSING	GLASS FILLED LCP, UL94V-0	BLACK	1
2	SIGNAL CONTACT	COPPER ALLOY T=0.15mm	ALL OVER Ni UNDER PLATING:40u"~120u" CONTACT AREA: Au 4u" MIN. SOLDER AREA: Au 2u"Min.	N
3	POWER CONTACT	COPPER ALLOY T=0.20mm	ALL OVER Ni UNDER PLATING:40u"~120u" CONTACT AREA: Au 4u" MIN. SOLDER AREA: Au 2u"Min.	4
4	FIXING TAP	COPPER ALLOY T=0.20mm	ALL OVER Ni UNDER PLATING:40u"~120u" SOLDER AREA: Au 2u"Min.	2
5	MYLAR	THERMOSTABLE	YELLOW	1



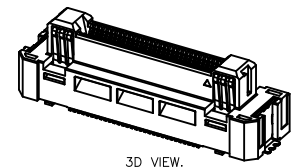
SECTION X-X
FLOATING RANGE TOWARD
X DIRECTION:±0.60
Y DIRECTION:±0.60
Z DIRECTION:±0.50
ASSEMBLY POSITION

- NOTES:
- BURRS OF CONTACT AREA ARE NOT ALLOWED AND INTERPOSITION AREA SHOULD BE 0.03MM MAX.
 - "▽" MARK IS CRITICAL CHARACTERISTIC DIMENSION.
 - ALL MATERIAL MUST BE COMPLY RoHS.
 - D/C:AXXXXX
- Aorora
YEAR SHIFT
MONTH LINE
DAY
- RECE. PART NO.:B329-1B7L1-112**-E100 SERIES
 - PLUG PART NO.:B322-1B7L1-112**-E100



DIMENSION LIST:

PIN No.	A	B	C	D	E	L
20	17.10	4.50	11.73	9.30	15.00	5.05
40	22.10	9.50	16.73	14.30	20.00	10.05
60	27.10	14.50	21.73	19.30	25.00	15.05
80	32.10	19.50	26.73	24.30	30.00	20.05
A0(100)	37.10	24.50	31.73	29.30	35.00	25.05
B0(120)	42.10	29.50	36.73	34.30	40.00	30.05



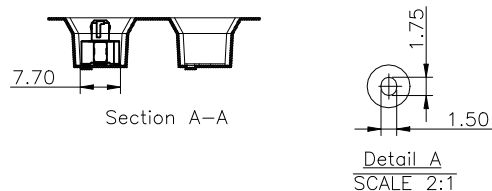
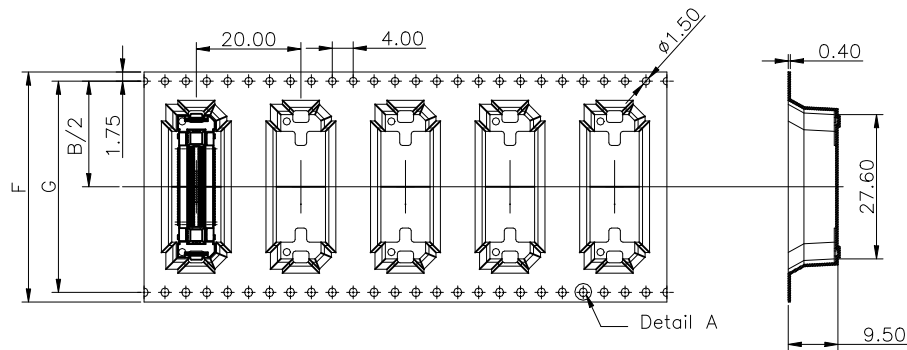
UNLESS OTHERWISE SPECIFIED TOLERANCES		ANGLE OF PROJECTION	
X.	±0.30	X.	± 5°
X.X	±0.25	X.X	± 4°
X.XX	±0.20	X.XX	± 3°
X.XXX	±0.15	X.XXX	± 2°
LINEAR DIMS		ANGLES DIMS	
DWG NO.:	A-S0686	DOCTYP	Customer Drw
MATERIAL	SEE NOTES	DRAWN DATE	SH Chen 2021-10-09
FINISHED	SEE NOTES	DESIGN DATE	SH Chen 2021-10-09
		CHECKED DATE	May 2021-10-09
		APPROVED DATE	Rain 2021-10-09

TITLE:	
0.5mm Pitch Floating BTB Plug connector	
PART NUMBER: B322-1B7L1-112**-E100	
SCALE: 4:1	
UNIT: mm	
SHEET 1 OF 2	

Amphenol AORORA	
Amphenol Aorora Technology (Huizhou) Co.,Ltd	
REV. C	REV. C

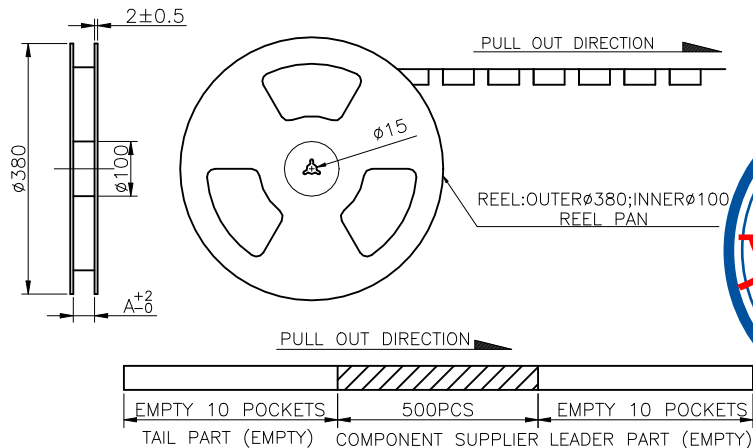
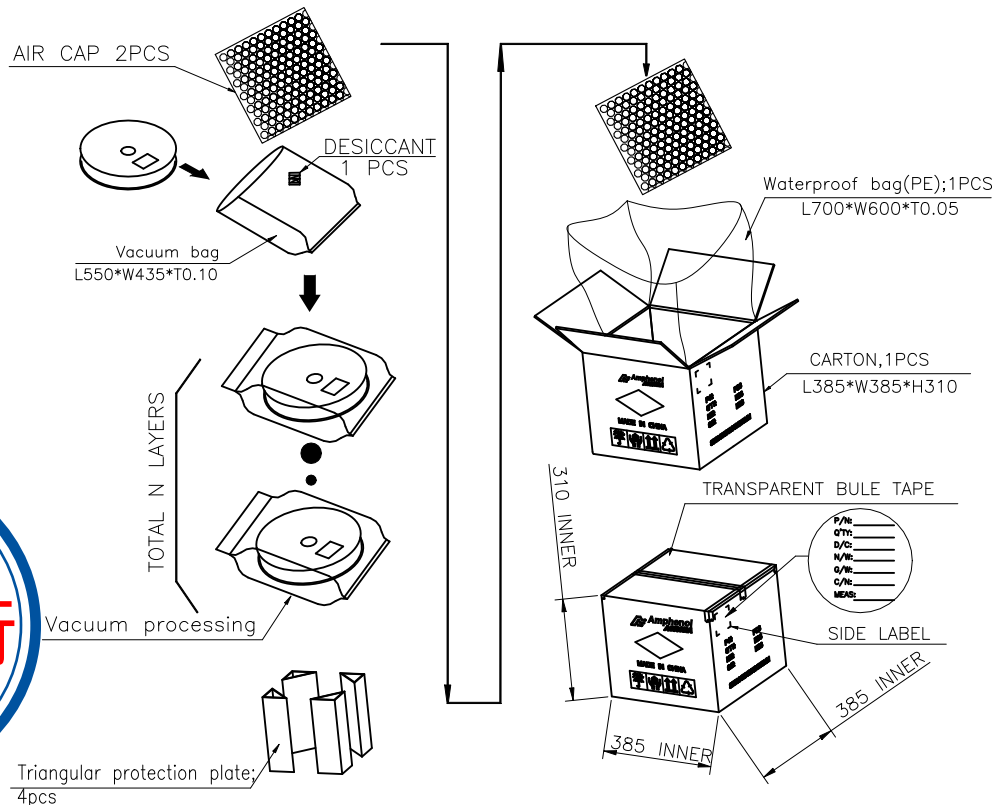
This document is the property of and embodies CONFIDENTIAL and PROPRIETARY information of AOR. No part of the information shown on this document may be used in any way or disclosed to others without the written consent of AOR. © 2019 AOR

PULL OUT DIRECTION



5. QTY LIST:

DIM NO.	20pin	40pin	60pin	80pin	100pin	120pin
F	44.00	44.00	44.00	52.00	52.00	72.00
G	40.40	40.40	40.40	50.40	50.40	68.40
N	6	6	6	5	5	4
TOTAL(PCS)	3000	3000	3000	2500	2500	2000



NOTES:

- MATERIAL:
 - CARRY TAPE:HIPS,T=0.50mm,CLEAR
 - REEL:HIPS,BLUE.
 - SHIM:PE,CLEAR.
- PRIMARY PACKING:500PCS/REEL.
- SECONDARY PACKING:"N"REELS/CARTON ("TOTAL"=N*500/CARTON).
- PEELING RESISTANCE: 0.4N~1.4N(40~140gf);
PEELING ANGLE: 165°~180°;
PEELING SPEED: 300mm/minutes.

UNLESS OTHERWISE SPECIFIED TOLERANCES			ANGLE OF PROJECTION		Amphenol AORORA	
X.	±0.30	X. *	± 5'			Amphenol Aorora Technology (Huizhou) Co.,Ltd
X.X	±0.25	X.X *	± 4'			
X.XX	±0.20	X.XX *	± 3'	DOC TYP Customer Drw		TITLE: 0.5mm Pitch Floating BTB Plug connector
X.XXX	±0.15	X.XXX *	± 2'	DRAWN DATE SH Chen 2021-10-09	SIZE PART NUMBER: B322-1B7L1-112**-E100	
LINEAR DIMS	ANGLES DIMS		DESIGN DATE SH Chen 2021-10-09	CHECKED DATE May 2021-10-09	REV. C	
DWG NO.:	A-S0686		APPROVED DATE Rain 2021-10-09	SCALE 1:1		UNIT : mm SHEET 2 OF 2
MATERIAL	SEE NOTES					
FINISHED	SEE NOTES					

This document is the property of and embodies CONFIDENTIAL and PROPRIETARY information of AOR. No part of the information shown on this document may be used in any way or disclosed to others without the written consent of AOR. © 2019 AOR

Amphenol AORORA