

PAIR	CONSIST OF:
EK-27405-000	(1) EK-27404-000 & (1) EK-27345-000

BOTH MICROPHONES OF THE PAIR ARE TESTED TO THEIR RESPECTIVE 2.1 SHEET AND THEN MATCHED TO THE OTHER MICROPHONE USING THE SPECIFICATIONS AND CONDITIONS BELOW:

FREQUENCY	TEST TYPE	RANGE OF DEVIATION BETWEEN MICROPHONES	UNITS
500 Hz	SENSITIVITY	1.0 MAX.	dBv

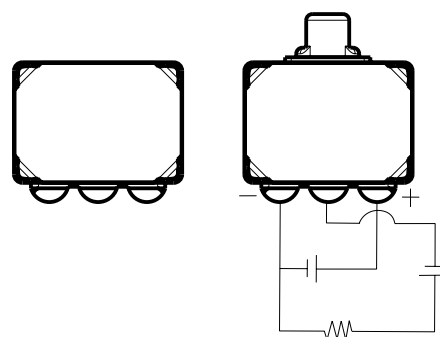
BUCKETS AS FOLLOWS:

- GROUP A: -52.0 dB TO -52.9 dB RE 1 V/MICROBAR
- GROUP B: -53.0 dB TO -53.9 dB RE 1 V/MICROBAR
- GROUP C: -54.0 dB TO -54.9 dB RE 1 V/MICROBAR
- GROUP D: -55.0 dB TO -55.9 dB RE 1 V/MICROBAR
- GROUP E: -56.0 dB TO -56.9 dB RE 1 V/MICROBAR
- GROUP F: -57.0 dB TO -57.9 dB RE 1 V/MICROBAR

SEE ALSO "PACKING & SHIPPING INSTRUCTIONS"

NOTES:

1. DC SUPPLY VOLTAGE 0.9 VOLTS.
2. SENSITIVITY AND PHASE VALUES INDICATED ARE VALID AT 50% RH.
3. TEST WITH 30kΩ LOAD AND 2.2μF CAPACITOR COUPLED TO THE OUTPUT. SEE SCHEMATIC.



Revision	C.O. #	Implementation Date	RELEASE LEVEL	REVISION
A	M10101547	8-20-07	Released	A

**KNOWLES ELECTRONICS**  
ITASCA, ILLINOIS U.S.A.

WHEN TEST LIMITS ARE USED TO ESTABLISH INCOMING INSPECTION ACCEPTANCE/REJECTION CRITERIA, CORRELATION OF TEST EQUIPMENT WITH KNOWLES IS ALSO REQUIRED FOR ELIMINATION OF EQUIPMENT AND TEST METHOD VARIATION

TITLE: **MICROPHONE PAIR** **EK-27405-000**  
PERFORMANCE SPECIFICATION **SHT 2.1**

DR. BY	DATE
CRG	8-20-07
CK. BY	DATE
GJP	8-22-07
APP. BY	DATE
GJP	8-22-07