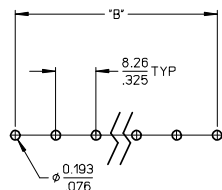
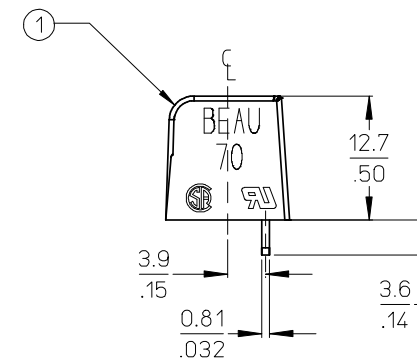
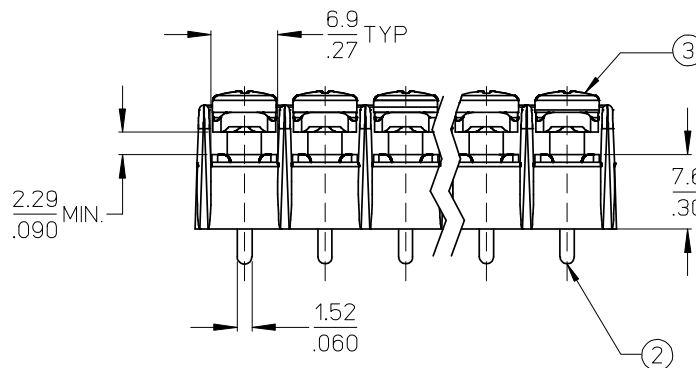
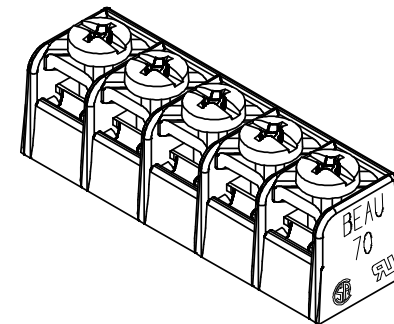
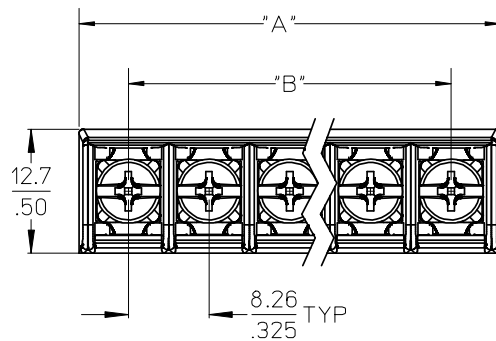


NUMBER OF CIRCUITS "XX"	DIM "A"	DIM "B"	ASSEMBLY MATERIAL NO.
02	18.5 (.73)	8.26 (.325)	387045702
03	26.9 (1.06)	16.51 (.650)	387045703
04	35.1 (1.38)	24.77 (.975)	387045704
05	43.2 (1.70)	33.02 (1.300)	387045705
06	51.2 (2.03)	41.28 (1.625)	387045706
07	59.7 (2.35)	49.53 (1.950)	387045707
08	68.1 (2.68)	57.79 (2.275)	387045708
09	76.2 (3.00)	66.04 (2.600)	387045709
10	84.6 (3.33)	74.30 (2.925)	387045710
11	92.7 (3.65)	82.55 (3.250)	387045711
12	101.0 (3.98)	90.81 (3.575)	387045712
13	109.2 (4.30)	99.06 (3.900)	387045713
14	117.5 (4.63)	107.32 (4.225)	387045714
15	125.7 (4.95)	115.57 (4.550)	387045715
16	134.0 (5.28)	123.83 (4.875)	387045716



PTH PATTERN
SCALE 1:1

NOTES:

1. MATERIAL: SEE TABLE
2. FINISHES: SEE TABLE
3. PRODUCT SPECIFICATION: NOT REQUIRED
4. "XX" REFERS TO THE QUANTITY OF CIRCUITS.
5. ROHS COMPLIANT.

ITEM	QTY.	DESCRIPTION	MATERIAL	FINISH
3	5	SCREW, #6-32X.250, PAN PHSL W/SO. WASHER, WRD	STEEL	ZN. CLEAR CHROMATE
2	5	TERMINAL, PC	BRASS	TIN PLATE
1	1	INSULATOR, SR, CS	POLYESTER (PBT)	BLACK

INITIAL RELEASE
EC NO: WNA2008-0402
DRAWN: ENCINAS 2008/07/28
CHKD: CYORK 2008/08/15
APPR: JMACNEIL 2008/08/15

QUALITY SYMBOLS
▽=0
▽=0

GENERAL TOLERANCES (UNLESS SPECIFIED)

	mm	INCH
4 PLACES	± ---	± ---
3 PLACES	± ---	± .005
2 PLACES	± 0.13	± .01
1 PLACE	± 0.3	± ---

ANGULAR ± 2°

DRAFT WHERE APPLICABLE
MUST REMAIN
WITHIN DIMENSIONS

DIMENSION STYLE
MM/IN

DRAWN BY DATE
J. ENCINAS 2008/07/18

CHECKED BY DATE
C. YORK 2008/07/21

APPROVED BY DATE
J. MACNEIL 2008/07/21

MATERIAL NO.

SCALE
2:1

DESIGN UNITS
INCH

THIRD ANGLE PROJECTION

TITLE
8.26MM [.325] SR BTS, CS
PC NO MTG. ENDS
WIRE READY SCREWS

MOLEX INCORPORATED

DOCUMENT NO.
SD-38704-004

SHEET NO.
1 OF 1

THIS DRAWING CONTAINS INFORMATION THAT IS PROPRIETARY TO MOLEX INCORPORATED AND SHOULD NOT BE USED WITHOUT WRITTEN PERMISSION