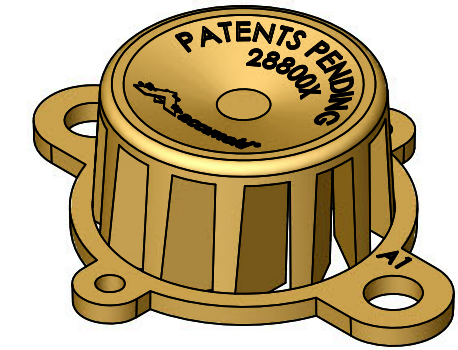
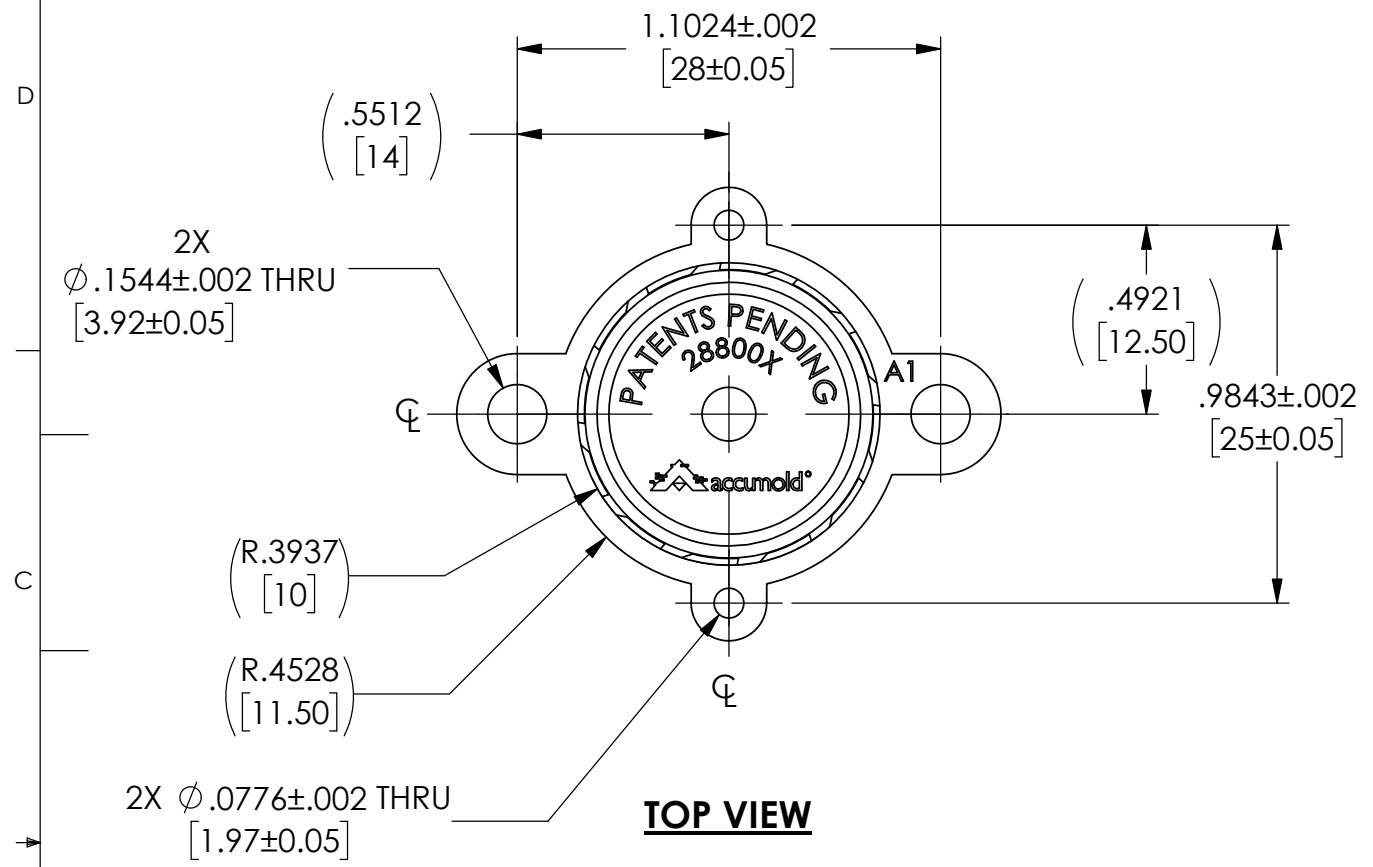
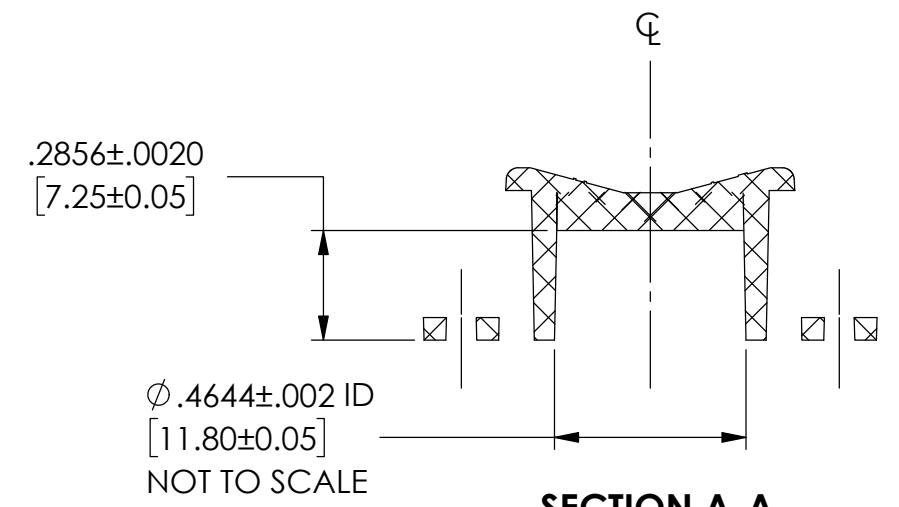
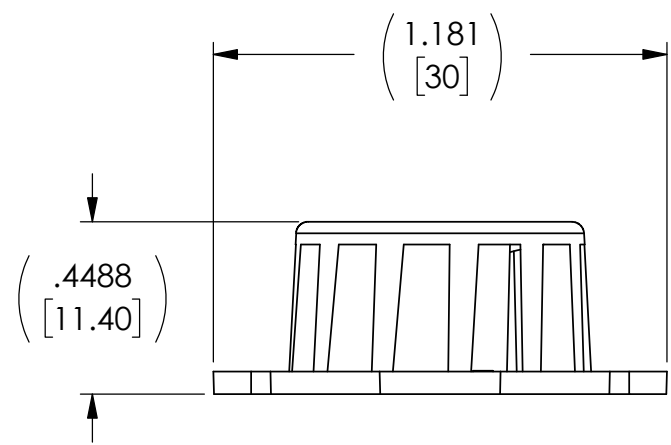
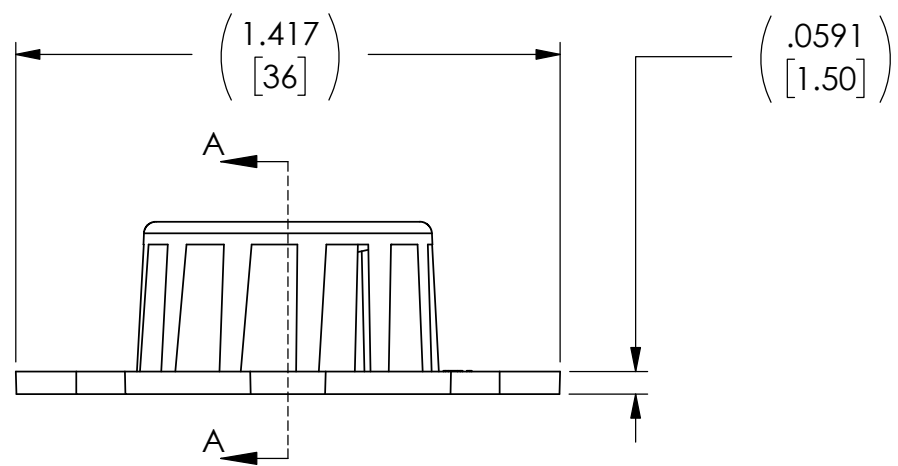


THE INFORMATION CONTAINED IN THIS DRAWING IS THE SOLE PROPERTY OF ACCUMOLD CORPORATION. ANY REPRODUCTION IN PART OR WHOLE WITHOUT THE WRITTEN PERMISSION OF ACCUMOLD CORPORATION IS PROHIBITED.

REV		DESCRIPTION	DATE	INITIAL
1		INTERNAL RELEASE	9/30/2019	ST



ACCUMOLD PART NUMBER: 28800X  
 PART DESCRIPTION: SMOKE CHAMBER  
 TO BE USED WITH ANALOG DEVICES INC.  
 OPTICAL SENSOR FOR SMOKE DETECTION  
 ANALOG PART NUMBER: ADPD188BI



**FRONT VIEW**

**SIDE VIEW**

**SECTION A-A  
INTERNAL DIMENSIONS**

DIMENSIONS ARE IN INCHES [DIMENSIONS] ARE IN MM		TOLERANCES DECIMALS .XX±.01 .XXX±.001 .XXXX±.0005 *-CRITICAL ±.0002		ANGULAR ±1°	
THIRD ANGLE PROJECTION					
DRAWING NUMBER <b>28800X - SPECS</b>		REV <b>1</b>			
SIZE <b>B</b>	REQ <b>1</b>	SHEET <b>1 OF 1</b>	SCALE <b>2:1</b>		