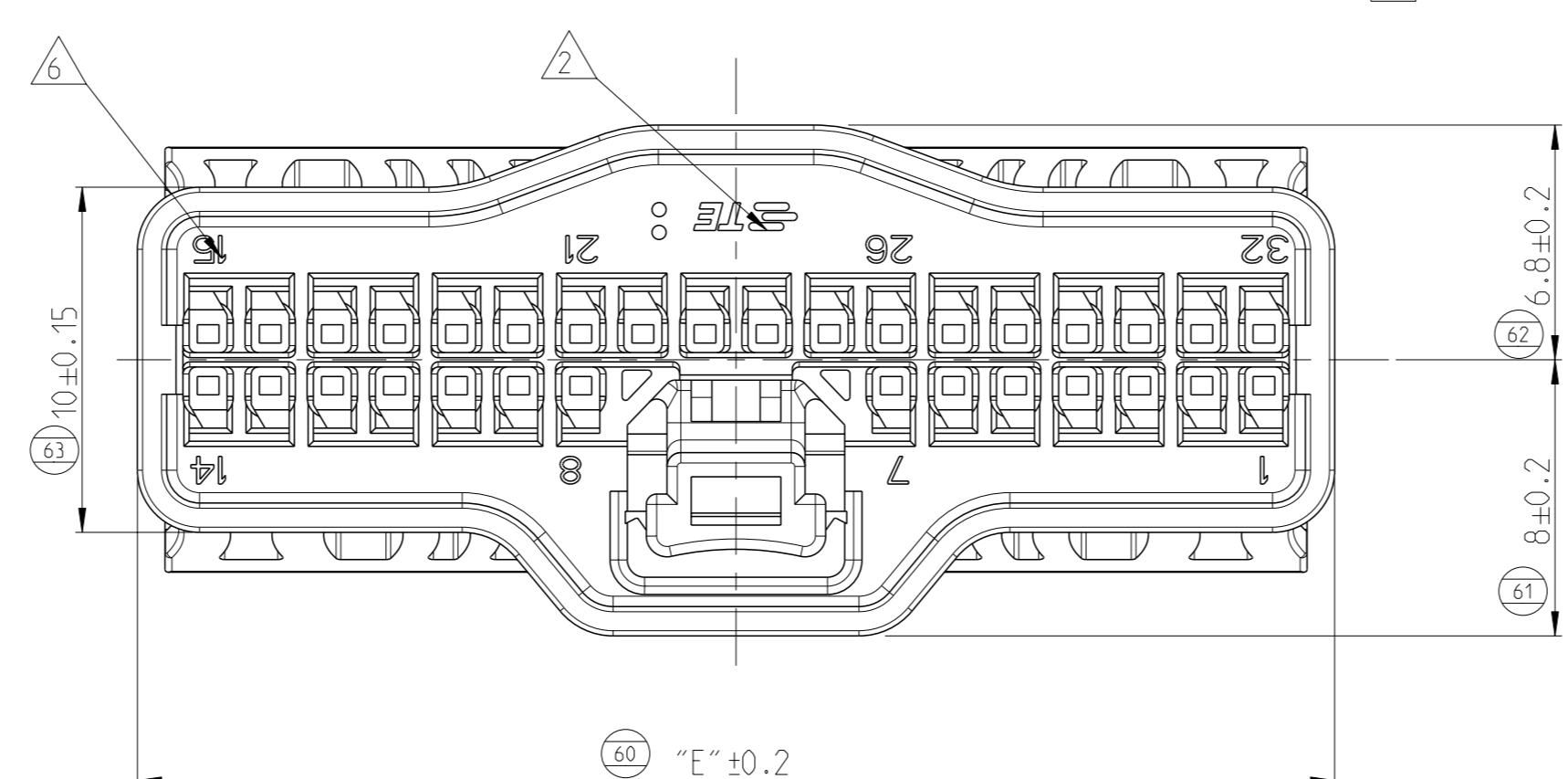
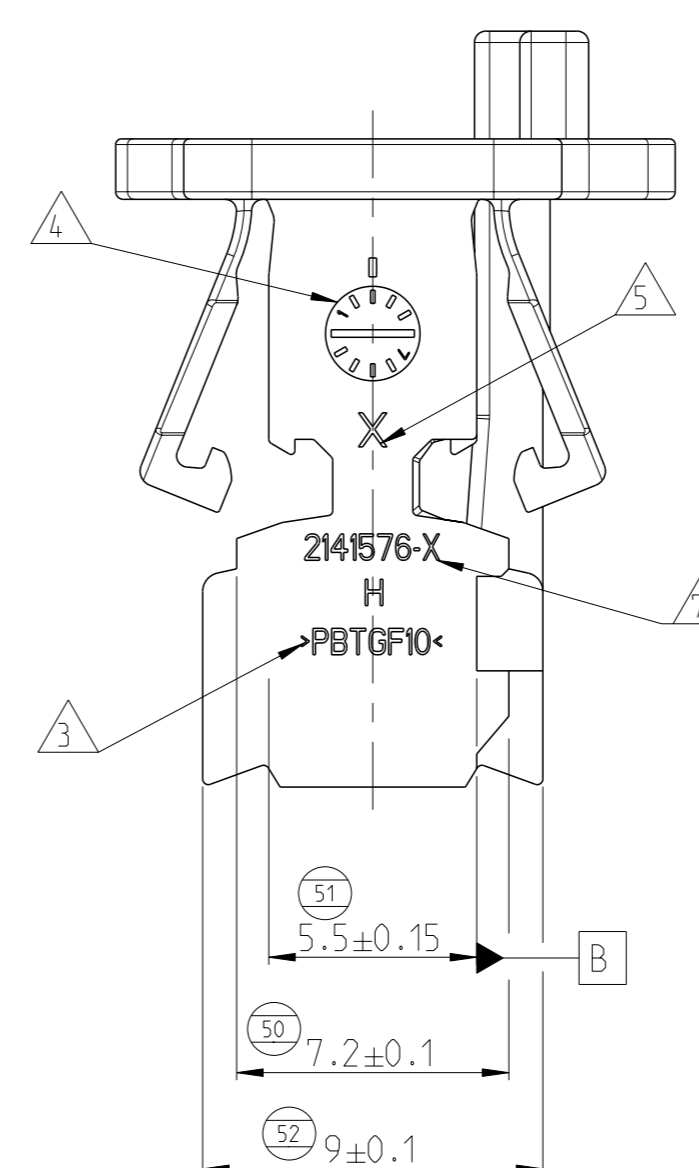
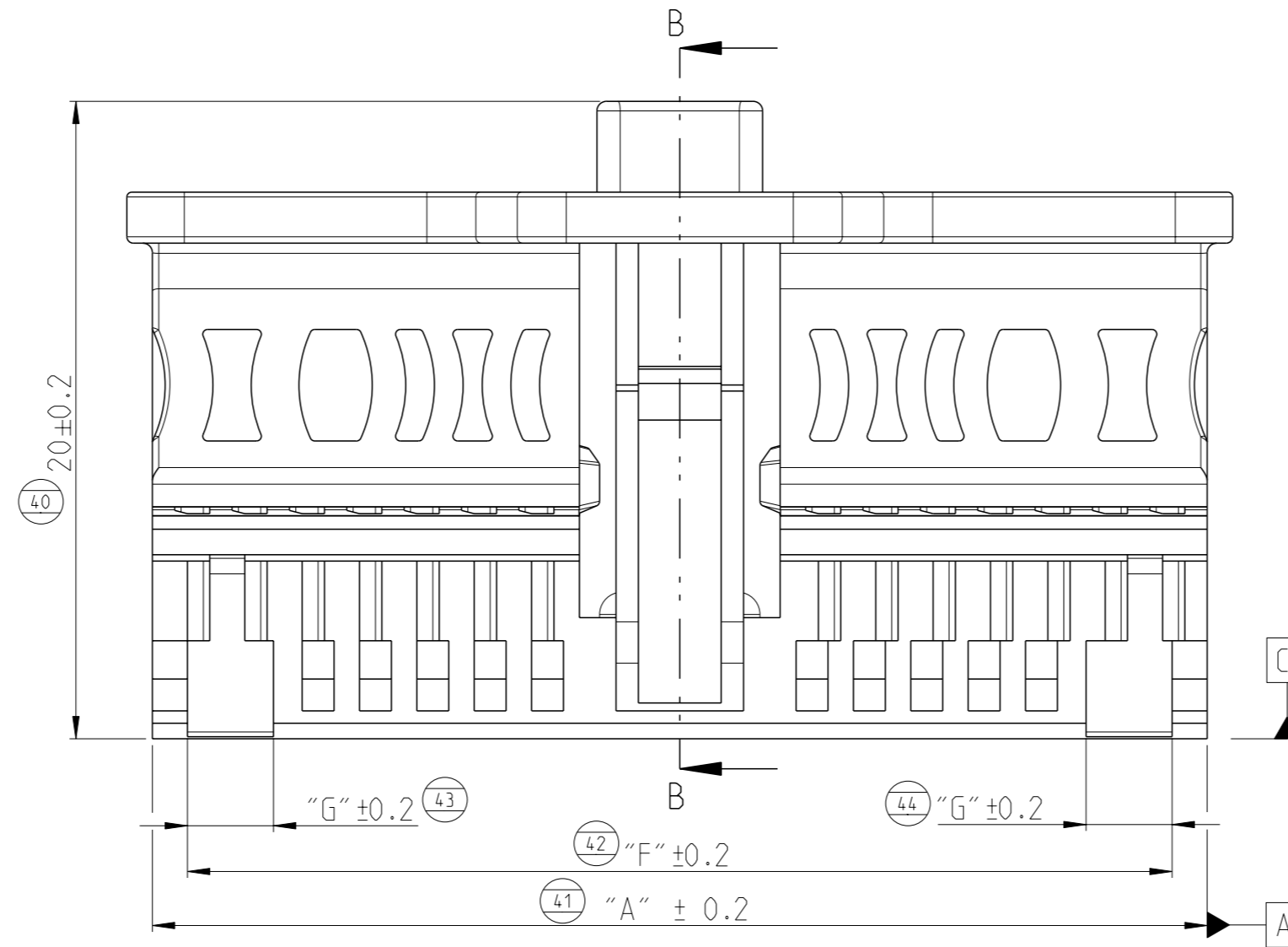
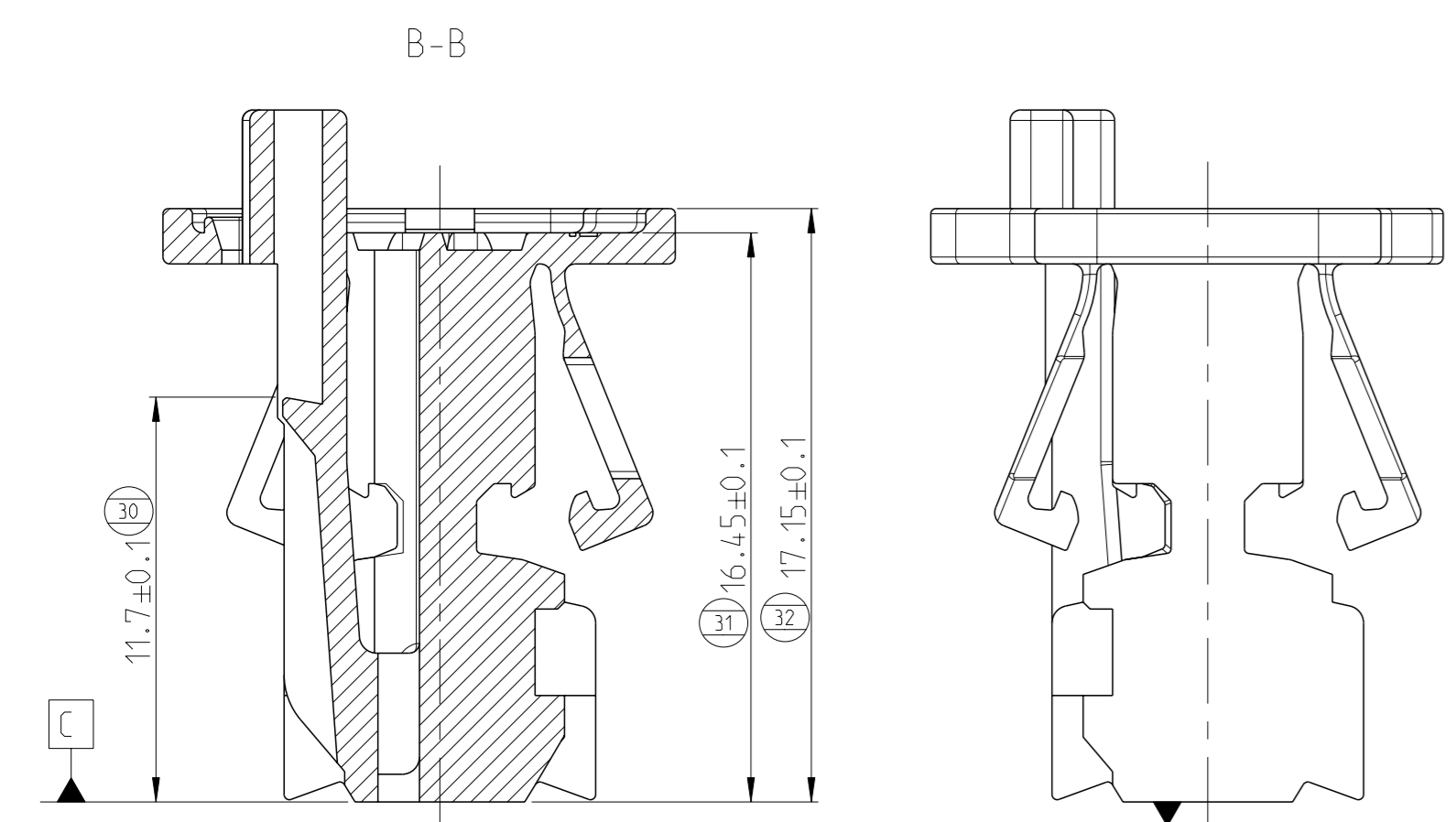
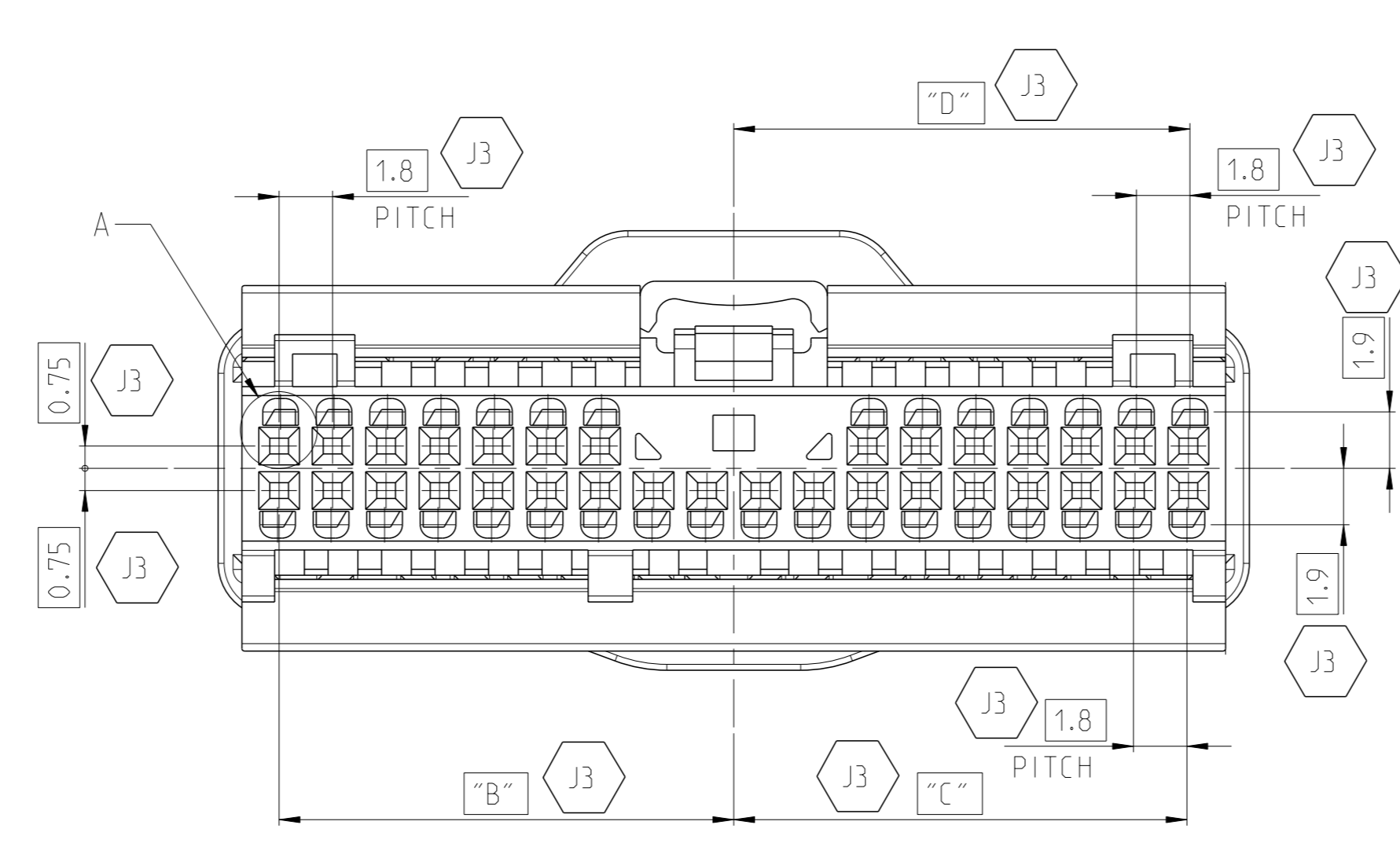
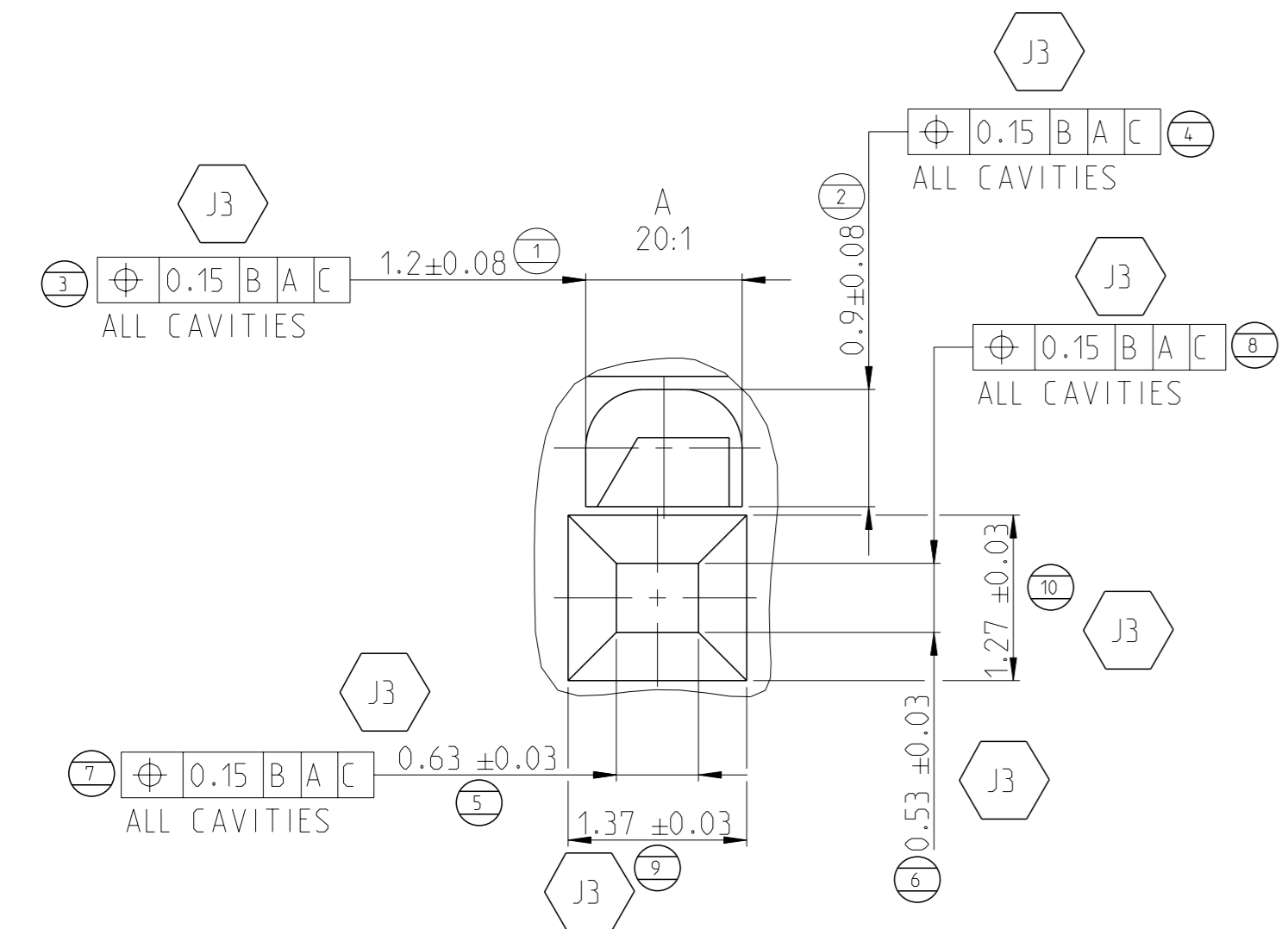


LOC	DIST	REVISIONS			
P	CL	DESCRIPTION	DATE	OWN	APVD
J		Colors changed	20SEP2018	BREN	SCHO
J1		COLOR CHANGE to as-is from NATURAL to BEIGE	18FEB2021	MAH.	SCHO
J2		PCN-22-151258	01SEP2022	FRAN	LOY
J3		PCN-22-156824	27OC12022	FRAN	LOY



CODING

<p>CODING "A" FOR RECEPTACLE CONNECTORS 12, 20 AND 32 POS P/N XXXXXX-1</p> <p>SCALE 2:1</p> <p>⑩ 4.15±0.05</p>	<p>CODING "A" FOR RECEPTACLE CONNECTOR 8 POS P/N 2177586-1</p> <p>SCALE 2:1</p> <p>⑩ 2.1±0.05</p>
<p>CODING "B" FOR RECEPTACLE CONNECTORS 12, 20 AND 32 POS P/N XXXXXX-2</p> <p>SCALE 2:1</p> <p>⑩ 2.6±0.05</p>	<p>CODING "B" FOR RECEPTACLE CONNECTOR 8 POS P/N 2177586-2</p> <p>SCALE 2:1</p> <p>⑩ 2.6±0.05</p>
<p>CODING "C" FOR RECEPTACLE CONNECTORS 12, 20 AND 32 POS P/N XXXXXX-3</p> <p>SCALE 2:1</p> <p>⑩ 1.5±0.05</p>	<p>CODING "C" FOR RECEPTACLE CONNECTOR 8 POS P/N 2177586-3</p> <p>SCALE 2:1</p> <p>⑩ 2.6±0.05</p>
<p>CODING "D" FOR RECEPTACLE CONNECTORS 12, 20 AND 32 POS P/N XXXXXX-4</p> <p>SCALE 2:1</p> <p>⑩ 1.5±0.05</p>	<p>CODING "D" FOR RECEPTACLE CONNECTOR 8 POS P/N 2177586-4</p> <p>SCALE 2:1</p> <p>⑩ 2.1±0.05</p>

SKETCH SCALE 1:1																
NUMBER OF POS.	32 POS		20 POS		12 POS		8 POS									
CONNECTOR PART NUMBER	2141576-X		2177588-X		2177587-X		2177586-X									
PART REVISION	-1	-2	-3	-4	-1	-2	-3	-4	-1	-2	-3	-4	-1	-2	-3	-4
COLOR	BLACK	BEIGE	GREY	BLACK	BLACK	BEIGE	GREY	BLACK	BLACK	BEIGE	GREY	BLACK	BLACK	BEIGE	GREY	BLACK
SIMILAR RAL	9011	1015	7032	9011	9011	1015	7032	9011	9011	1015	7032	9011	9011	1015	7032	9011
MATERIAL	PBT GF10		PBT GF10		PBT GF10		PBT GF10									
DIM "A"	33.1		22.3		15.1		11.5									
DIM "B"	15.3		9.9		6.3		4.5									
DIM "C"	15.25		9.85		6.25		4.45									
DIM "D"	15.35		9.95		6.35		4.55									
DIM "E"	34.7		23.9		16.7		13.1									
DIM "F"	30.9		20.1		12.9		9.3									
DIM "G"	2.7		2.1		1.7		1.5									
GENERIC INTERFACE PART NUMBER	114-20160-150		114-20160-90		114-20160-60		114-20160-40									

- 1) CONNECTORS SUITABLE FOR Nano MQS CONTACT FAMILY P/N X-1703930-X WIRE SEC. 0.14 ± 0.035 mm². MAX INSULATION DIAMETER 1.3mm
- 2) TE TRADEMARK
- 3) IDENTIFICATION AND MARKING OF POLYMER MATERIAL
- 4) DATE CODE
- 5) MOULD CAVITY IDENTIFICATION
- 6) CONTACT CAVITY IDENTIFICATION NUMBERS
- 7) P/N & REVISION. DASH NUMBER AND REVISION LETTER
- 8) MATING PART SEE 114-94160

THIS DRAWING IS A CONTROLLED DOCUMENT.		OWN: A.BRICCARELLO 05DEC2011	TE Connectivity NAME: NANO MQS TOP LATCH PLUG CONNECTOR FAMILY LS LINE - MARKET SERIES
DIMENSIONS: mm		CHK: M.GURLINO 05DEC2011	
TOLERANCES UNLESS OTHERWISE SPECIFIED:		APVD: A.GENTA 05DEC2011	SIZE: 108-20315
0 PLC ± 0.3		PRODUCT SPEC	APPLICATION SPEC
1 PLC ± 0.1		114-94766	114-94766
2 PLC ± 0.05		WEIGHT	114-94766
3 PLC ± 0.05		RESTRICTED TO	114-94766
4 PLC ± 0.05		SCALE	5:1
ANGLES ± 1°		SHEET	1 of 1
FINISH		REV	J3
SEE TABLE		CUSTOMER DRAWING	