

GloTek, Inc. www.globtek.com 186 Veterans Drive, Northvale, NJ 07647 Tel. (201) 784-1000 Fax (201) 784-0111	Drawing Title: CEE 7/17 unearthed non-wireable European plug 2 poles to IEC320/C17, GT Cable #423A: 1.0 mm ² / 2 Conductors, 6.45mm OD, H05VV-F, 70 Deg.C, 500V, BLU/BRN, Approvals: IEC 60227, 2000±20mm, GlobTek Black
	Model No. Power Cord
Part No./Ordering No. 2074232M071C(R)	Rev B1

CUSTOMIZED LENGTHS, COLORS, CABLE TYPES, TERMINATIONS/PLUGS/RECEPTACLES AVAILABLE UPON REQUEST. ADDITIONAL PLUG OPTIONS ARE AVAILABLE AT <https://www.globtek.com/connectors/> STANDARD PLUGS AND CONNECTORS CAN BE SEEN ONLINE AT <https://www.globtek.com/connectors/> ACTUAL CONNECTORS, OVERMOLDS, FERRITES MAY VARY SLIGHTLY FROM THE PICTURE BELOW DIMENSIONS ARE IN MM UNLESS SPECIFIED OTHERWISE

In Addition to GlobTek Inc.'s renewed ISO9001:2008 - Quality Management System Certification, GlobTek Inc. is now certified to:

- ISO13485:2003 - Medical Devices Quality Management System Certification
- ISO14001:2004 - Environmental Management System Certification

ISO Certificates are available online at <https://www.globtek.com/iso-certificates/>
Prop 65 Statement: <https://en.globtek.com/prop-65-statement.pdf>

The acceptance of this specification and use of the product described in this document indicates the acceptance and binding of the customer to Globtek TERMS AND CONDITIONS (attached to the end of this document), which supersede all other agreements, terms, and conditions (<https://en.globtek.com/terms-and-conditions/>).

The purchaser of this product (Customer) agrees that it is their sole responsibility to determine suitability/fitness of the product described in this specification for their application and to take precautions for protection against any hazards attendant to the handling and use of the product.

Footnote:

GlobTek Inc. will not be liable for the safety and performance of these power supplies if unauthorized access and repair occurs. End user should consult applicable UL, CSA or EN standards for proper installation instruction.

Limitation of Use:

GlobTek products are intended for use with commercial, medical, and/or industrial equipment only. GlobTek product are not authorized for use as mission critical components in life support hazardous environment, nuclear or aircraft applications without prior written approval from the CEO of GlobTek Inc.
Contents of this document are subject to change without prior notice.

Customer Approval of Specification:

Please approve, sign and send back to GlobTek so we can complete order processing.
A delay in receipt of this form will delay delivery schedule.

Company Name: _____	Customer P/N: _____
Quote Number: _____	Date: _____
Authorized Representative Name: _____	Authorized Representative Signature: _____

GlobTek, Inc. www.globtek.com 186 Veterans Drive, Northvale, NJ 07647 Tel. (201) 784-1000 Fax (201) 784-0111	Drawing Title: CEE 7/17 unearthed non-wireable European plug 2 poles to IEC320/C17, GT Cable #423A: 1.0 mm ² / 2 Conductors, 6.45mm OD, H05VV-F, 70 Deg.C, 500V, BLU/BRN, Approvals: IEC 60227, 2000±20mm, GlobTek Black	
	Model No. Power Cord	
Part No./Ordering No. 2074232M071C(R)		Rev B1

CUSTOMIZED LENGTHS, COLORS, CABLE TYPES, TERMINATIONS/PLUGS/RECEPTACLES AVAILABLE UPON REQUEST. ADDITIONAL PLUG OPTIONS ARE AVAILABLE AT <https://www.globtek.com/connectors/> STANDARD PLUGS AND CONNECTORS CAN BE SEEN ONLINE AT <https://www.globtek.com/connectors/> ACTUAL CONNECTORS, OVERMOLDS, FERRITES MAY VARY SLIGHTLY FROM THE PICTURE BELOW DIMENSIONS ARE IN MM UNLESS SPECIFIED OTHERWISE

REVISION HISTORY

REV	DESCRIPTION	SUB	DATE	APPROVED
B1	Add Kema certification to the plug	DR	12/24/2021	QA
C2	Update approvals on the cable to VDE	QA	12/17/2021	QA
C1	Update drawing, End A and End B, packing	QA	07/29/2021	QA
C	Update rating plug and connector to 2.5A/250V, add cord drawing	QA	07/22/2021	QA
B	Update to SF format; correct connector from C7 to C17; remove polybag and revise hanking from 120 to 200mm.	bsiep	03/22/2019	QA

Cordset Information:

CordsetColor:GlobTek Black

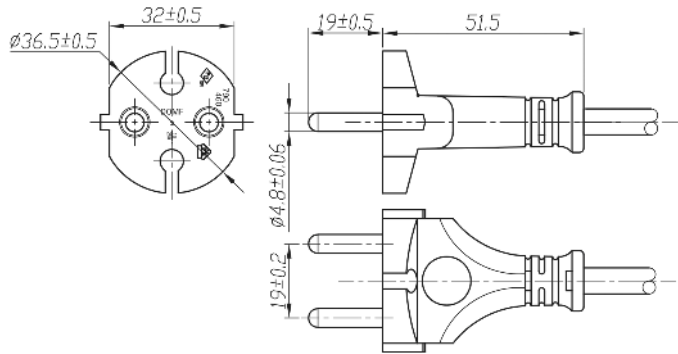
Cord Length (mm):2000±20

NOTES:

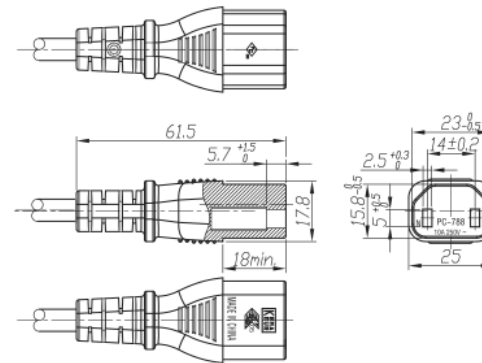
GlobTek, Inc. www.globtek.com 186 Veterans Drive, Northvale, NJ 07647 Tel. (201) 784-1000 Fax (201) 784-0111	Drawing Title: CEE 7/17 unearthed non-wireable European plug 2 poles to IEC320/C17, GT Cable #423A: 1.0 mm ² / 2 Conductors, 6.45mm OD, H05VV-F, 70 Deg.C, 500V, BLU/BRN, Approvals: IEC 60227, 2000±20mm, GlobTek Black	
	Model No. Power Cord	Part No./Ordering No. 2074232M071C(R)

CUSTOMIZED LENGTHS, COLORS, CABLE TYPES, TERMINATIONS/PLUGS/RECEPTACLES AVAILABLE UPON REQUEST. ADDITIONAL PLUG OPTIONS ARE AVAILABLE AT <https://www.globtek.com/connectors/> STANDARD PLUGS AND CONNECTORS CAN BE SEEN ONLINE AT <https://www.globtek.com/connectors/> ACTUAL CONNECTORS, OVERMOLDS, FERRITES MAY VARY SLIGHTLY FROM THE PICTURE BELOW DIMENSIONS ARE IN MM UNLESS SPECIFIED OTHERWISE

END A



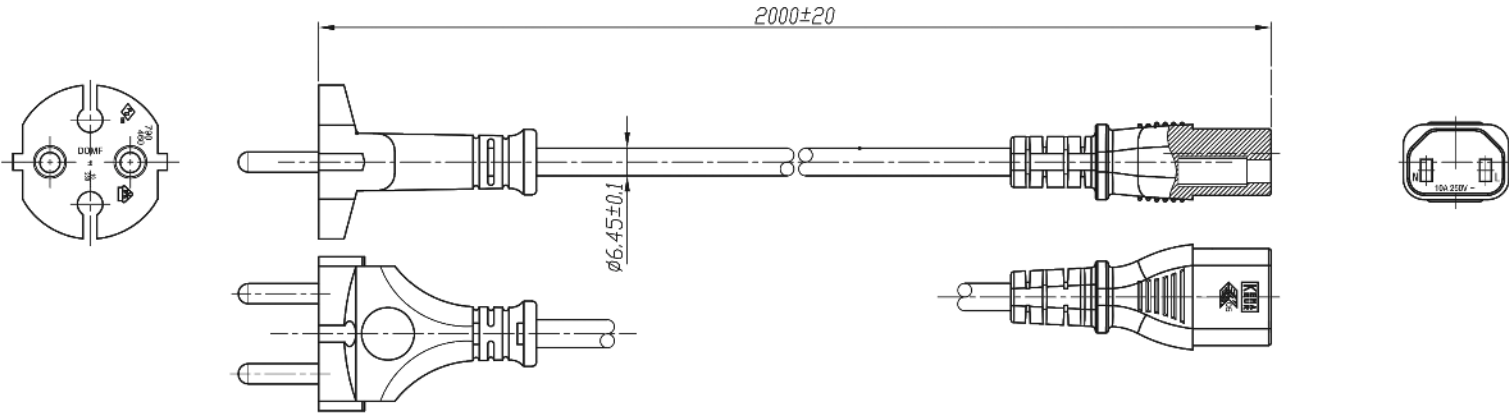
END B



GlobTek, Inc. www.globtek.com 186 Veterans Drive, Northvale, NJ 07647 Tel. (201) 784-1000 Fax (201) 784-0111	Drawing Title: CEE 7/17 unearthed non-wireable European plug 2 poles to IEC320/C17, GT Cable #423A: 1.0 mm ² / 2 Conductors, 6.45mm OD, H05VV-F, 70 Deg.C, 500V, BLU/BRN, Approvals: IEC 60227, 2000±20mm, GlobTek Black
	Model No. Power Cord
Part No./Ordering No. 2074232M071C(R)	Rev B1

CUSTOMIZED LENGTHS, COLORS, CABLE TYPES, TERMINATIONS/PLUGS/RECEPTACLES AVAILABLE UPON REQUEST. ADDITIONAL PLUG OPTIONS ARE AVAILABLE AT <https://www.globtek.com/connectors/> STANDARD PLUGS AND CONNECTORS CAN BE SEEN ONLINE AT <https://www.globtek.com/connectors/> ACTUAL CONNECTORS, OVERMOLDS, FERRITES MAY VARY SLIGHTLY FROM THE PICTURE BELOW DIMENSIONS ARE IN MM UNLESS SPECIFIED OTHERWISE

CABLE IMAGE



GlobTek, Inc. www.globtek.com 186 Veterans Drive, Northvale, NJ 07647 Tel. (201) 784-1000 Fax (201) 784-0111	Drawing Title: CEE 7/17 unearthed non-wireable European plug 2 poles to IEC320/C17, GT Cable #423A: 1.0 mm ² / 2 Conductors, 6.45mm OD, H05VV-F, 70 Deg.C, 500V, BLU/BRN, Approvals: IEC 60227, 2000±20mm, GlobTek Black	
	Model No. Power Cord	Rev B1
	Part No./Ordering No. 2074232M071C(R)	

CUSTOMIZED LENGTHS, COLORS, CABLE TYPES, TERMINATIONS/PLUGS/RECEPTACLES AVAILABLE UPON REQUEST. ADDITIONAL PLUG OPTIONS ARE AVAILABLE AT <https://www.globtek.com/connectors/> STANDARD PLUGS AND CONNECTORS CAN BE SEEN ONLINE AT <https://www.globtek.com/connectors/> ACTUAL CONNECTORS, OVERMOLDS, FERRITES MAY VARY SLIGHTLY FROM THE PICTURE BELOW DIMENSIONS ARE IN MM UNLESS SPECIFIED OTHERWISE

End A Code:207A Description:CEE 7/17 unearthed non-wireable European plug 2 poles Rating (V):250 Rating (A):16.0 Gender:Male Overmolded:Yes	Cable Code:423A Description:GT Cable #423A: 1.0 mm ² / 2 Conductors, 6.45mm OD, H05VV-F, 70 Deg.C, 500V, BLU/BRN, Approvals: IEC 60227 Color:GlobTek Black Wire Gauge(AWG):1.0 mm ² Cond:2 Type:H05VV-F Temperature:70° C Amps:10 Volts:500 OD:6.45 ConductorsColors:BLU/BRN	End B Code:071C-EU Description:IEC320/C17 Rating (V):250 Rating (A):10.0 Gender:Female Overmolded:Yes
---	---	---

Overall cable rating:

Plug Approvals	Cable Approvals	Connector Approvals
----------------	-----------------	---------------------



KEMA (Keuring van Elektrotechnische Materialen te Arnhem) /Dekra (Netherlands Certification)



VDE (Cable)



ENEC-VDE



ENEC-VDE

AGENCY ONLINE DOCUMENTS

<http://en.globtek.com/cordsets/>

RoHS/RoHS3 Declaration

https://www.globtek.com/pdf/rohs_cert/01t30000002pLcQAAU

REACH Declaration

https://www.globtek.com/pdf/iso_certificates/REACH.pdf

Conflict Minerals Declaration

<https://www.globtek.com/pdf/conflict-minerals.pdf>

Prop 65 Statement

<https://en.globtek.com/prop-65-statement.pdf>

CE.UKCA.Cord

https://globtek.secure.force.com/spec/ec_decl_product_model_family_incl_cord?id=01t30000002pLcQ

PROPRIETARY INFORMATION

PROPRIETARY OF GLOBTEK, INC. ANY REPRODUCTION, DISCLOSURE OR USE OF THIS DRAWING, IN WHOLE OR IN PART, IS HEREBY PROHIBITED EXCEPT AS SPECIFIED IN WRITING BY GLOBTEK, INC. © GlobTek, Inc. 2012 - 2023

quest /10/02/2023 6:20:45 PM

GlobTek, Inc. www.globtek.com 186 Veterans Drive, Northvale, NJ 07647 Tel. (201) 784-1000 Fax (201) 784-0111	Drawing Title: CEE 7/17 unearthed non-wireable European plug 2 poles to IEC320/C17, GT Cable #423A: 1.0 mm ² / 2 Conductors, 6.45mm OD, H05VV-F, 70 Deg.C, 500V, BLU/BRN, Approvals: IEC 60227, 2000±20mm, GlobTek Black	
	Model No. Power Cord	Rev B1
Part No./Ordering No. 2074232M071C(R)		

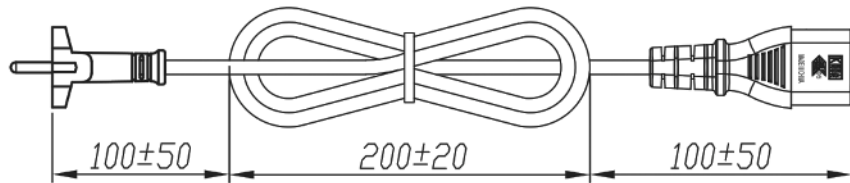
CUSTOMIZED LENGTHS, COLORS, CABLE TYPES, TERMINATIONS/PLUGS/RECEPTACLES AVAILABLE UPON REQUEST. ADDITIONAL PLUG OPTIONS ARE AVAILABLE AT <https://www.globtek.com/connectors/> STANDARD PLUGS AND CONNECTORS CAN BE SEEN ONLINE AT <https://www.globtek.com/connectors/> ACTUAL CONNECTORS, OVERMOLDS, FERRITES MAY VARY SLIGHTLY FROM THE PICTURE BELOW DIMENSIONS ARE IN MM UNLESS SPECIFIED OTHERWISE

IPXY rating is based on 3rd party testing and customers should check suitability and test system level IPXY rating before ordering.

GlobTek, Inc. www.globtek.com 186 Veterans Drive, Northvale, NJ 07647 Tel. (201) 784-1000 Fax (201) 784-0111	Drawing Title: CEE 7/17 unearthed non-wireable European plug 2 poles to IEC320/C17, GT Cable #423A: 1.0 mm ² / 2 Conductors, 6.45mm OD, H05VV-F, 70 Deg.C, 500V, BLU/BRN, Approvals: IEC 60227, 2000±20mm, GlobTek Black	
	Model No. Power Cord	Rev B1
Part No./Ordering No. 2074232M071C(R)		

CUSTOMIZED LENGTHS, COLORS, CABLE TYPES, TERMINATIONS/PLUGS/RECEPTACLES AVAILABLE UPON REQUEST. ADDITIONAL PLUG OPTIONS ARE AVAILABLE AT <https://www.globtek.com/connectors/> STANDARD PLUGS AND CONNECTORS CAN BE SEEN ONLINE AT <https://www.globtek.com/connectors/> ACTUAL CONNECTORS, OVERMOLDS, FERRITES MAY VARY SLIGHTLY FROM THE PICTURE BELOW DIMENSIONS ARE IN MM UNLESS SPECIFIED OTHERWISE

Hanking:207-071C
 Description:200 +/- 20mm
 Image:



Notes/Modifications/Customizations (notes in this section supersede the values shown in the standard spec):