

Description: 2.4-2.5GHz Sheet Metal PIFA

Series: Embedded Antenna

PART NUMBER: W3317

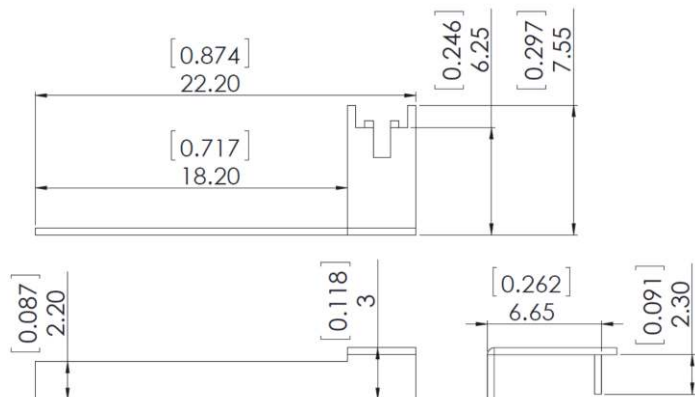


Features:

- 2400-2500MHz
- Gain 4dBi
- Radiation Efficiency 77%
- Size 22.4 x 3 x 6.25mm
- VSWR 2:1

Applications:

- Wi-Fi, Bluetooth, ZigBee
- 2.4GHz ISM band radios
- Routers, Gateways
- IoT terminals
- M2M
- Automation, security, transportation



All dimensions are in mm / inches

Issue: 1649

In the effort to improve our products, we reserve the right to make changes judged to be necessary.

CONFIDENTIAL AND PROPRIETARY INFORMATION

This document contains confidential and proprietary information of Pulse Electronics, Inc. (Pulse) and is protected by copyright, trade secret and other state and federal laws. Its receipt or possession does not convey any rights to reproduce, disclose its contents, or to manufacture, use or sell anything it may describe. Reproduction, disclosure or use without specific written authorization of Pulse is strictly forbidden.

For more information:

Pulse Worldwide Headquarters  
12220 World Trade Drive  
San Diego, CA 92128  
USA  
Tel: 1-858-674-8100

Pulse/Larsen Antennas  
18110 SE 34<sup>th</sup> St Bldg 2 Suite 250  
Vancouver, WA 98683  
USA  
Tel: 1-360-944-7551

Europe Headquarters  
Pulse GmbH & Do, KG  
Zeppelinstrasse 15  
Herrenberg, Germany  
Tel: 49 7032 7806 0

Pulse (Suzhou) Wireless Products Co, Inc.  
99 Huo Ju Road(#29 Bldg,4<sup>th</sup> Phase  
Suzhou New District  
Jiangsu Province, Suzhou 215009 PR China  
Tel: 86 512 6807 9998



**Description: 2.4-2.5GHz Sheet Metal PIFA****Series: Embedded Antenna****PART NUMBER: W3317****ELECTRICAL SPECIFICATIONS**

Frequency	2400-2500	MHz
Nominal Impedance	50	$\Omega$
VSWR	2:1	
Average efficiency	77	%
Peak Gain	4	dBi +/- 1 dB
Polarization:	linear	
Power withstanding	5	W

**Note:**

1. Performance measured on standard 100x100x1mm evaluation board, refer to page 5.

Issue: 1649

In the effort to improve our products, we reserve the right to make changes judged to be necessary.

CONFIDENTIAL AND PROPRIETARY INFORMATION

This document contains confidential and proprietary information of Pulse Electronics, Inc. (Pulse) and is protected by copyright, trade secret and other state and federal laws. Its receipt or possession does not convey any rights to reproduce, disclose its contents, or to manufacture, use or sell anything it may describe. Reproduction, disclosure or use without specific written authorization of Pulse is strictly forbidden.

Description: 2.4-2.5GHz Sheet Metal PIFA

Series: Embedded Antenna

PART NUMBER: W3317

### MECHANICAL SPECIFICATIONS

Material	Cu	Copper-Nickel-Zinc Alloy
Weight	0.27	g
Thickness	0.4[0.016]	mm[inch]
Overall Length	22.2[0.874]	mm[inch]

### ENVIRONMENTAL SPECIFICATIONS

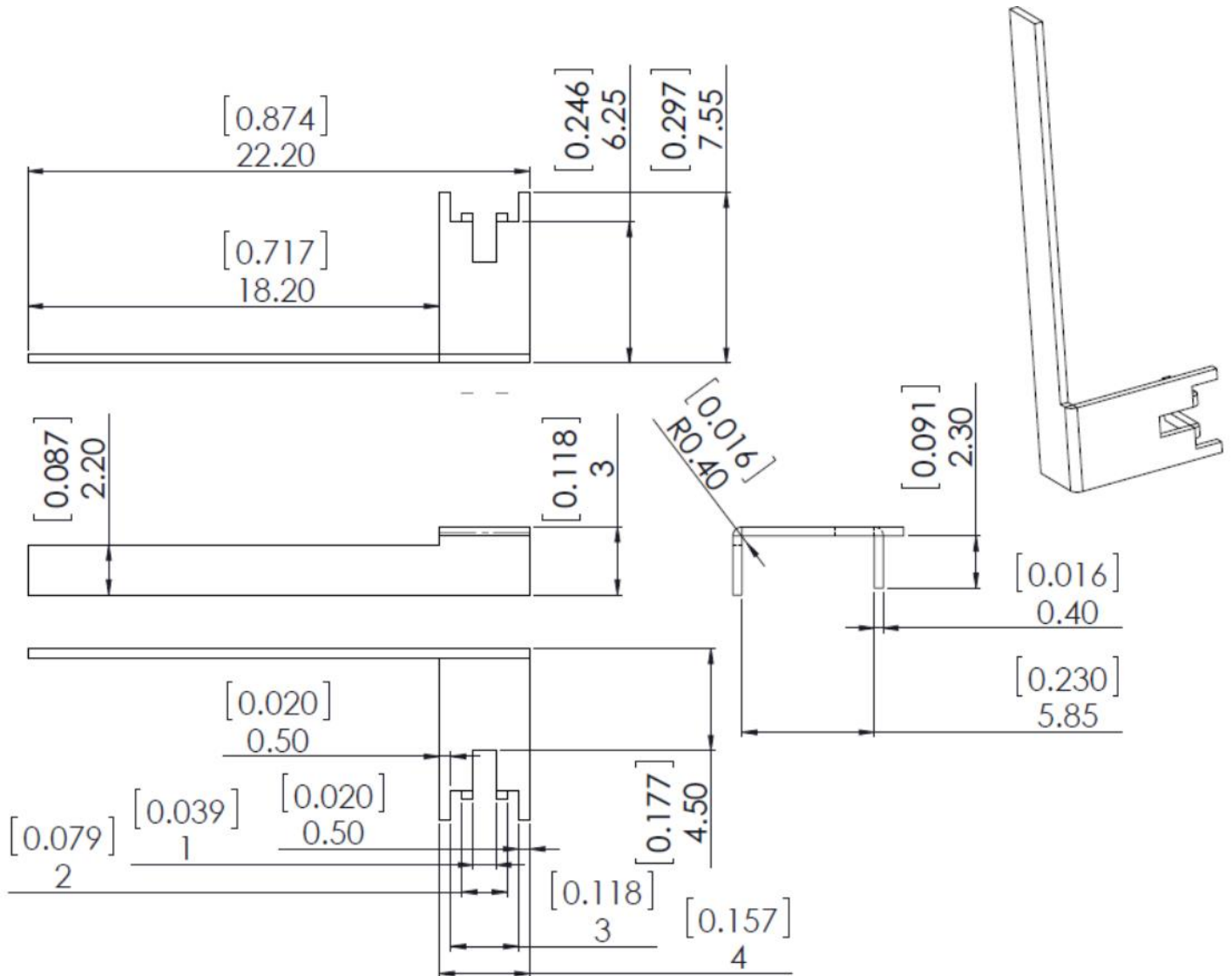
Operating temperature	-40/+105	° C
Low temperature	-30 ° C	500 hours
High temperature	+85 ° C	500 hours
Humidity	+85°C and 90-95 % r.h.	96 hours
Vibration	X&Y directions	2 hours
	Z directions	4 hours
Thermal Shock	-30 ° C /+85 ° C	5 cycles

Description: 2.4-2.5GHz Sheet Metal PIFA

Series: Embedded Antenna

PART NUMBER: W3317

MECHANICAL DRAWING



Issue: 1649

In the effort to improve our products, we reserve the right to make changes judged to be necessary.

CONFIDENTIAL AND PROPRIETARY INFORMATION

This document contains confidential and proprietary information of Pulse Electronics, Inc. (Pulse) and is protected by copyright, trade secret and other state and federal laws. Its receipt or possession does not convey any rights to reproduce, disclose its contents, or to manufacture, use or sell anything it may describe. Reproduction, disclosure or use without specific written authorization of Pulse is strictly forbidden.

Description: 2.4-2.5GHz Sheet Metal PIFA

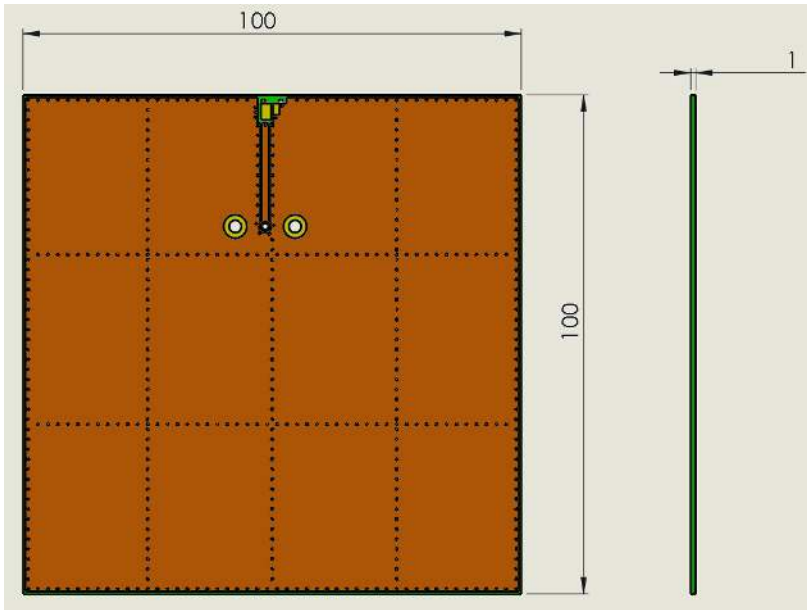
Series: Embedded Antenna

PART NUMBER: W3317

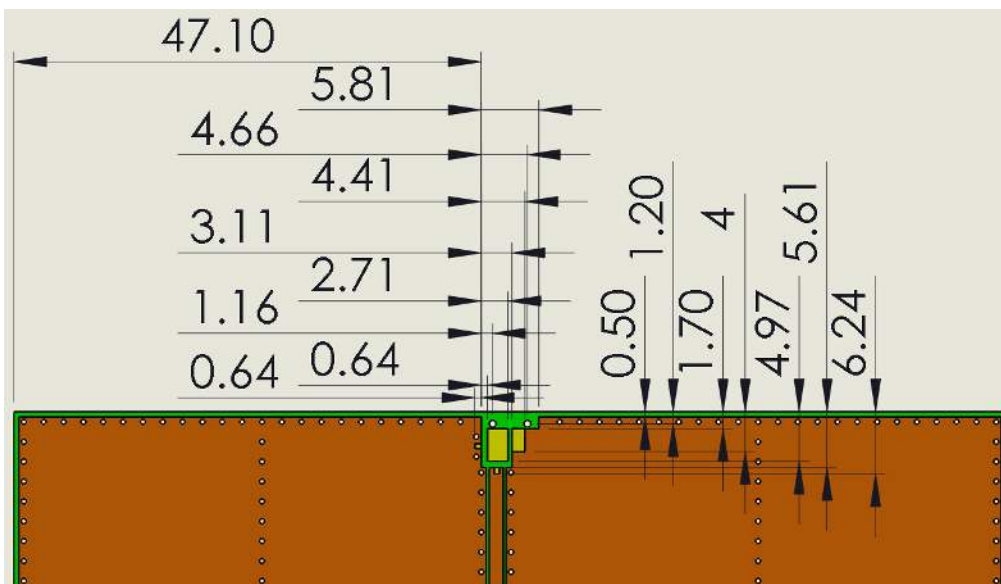
OTHER SPECIFICATIONS

PCB LAYOUT

1. PCB material, FR4, size, 100X100X1mm



2. Clearance area (Top)



Issue: 1649

In the effort to improve our products, we reserve the right to make changes judged to be necessary.

CONFIDENTIAL AND PROPRIETARY INFORMATION

This document contains confidential and proprietary information of Pulse Electronics, Inc. (Pulse) and is protected by copyright, trade secret and other state and federal laws. Its receipt or possession does not convey any rights to reproduce, disclose its contents, or to manufacture, use or sell anything it may describe. Reproduction, disclosure or use without specific written authorization of Pulse is strictly forbidden.

Description: 2.4-2.5GHz Sheet Metal PIFA

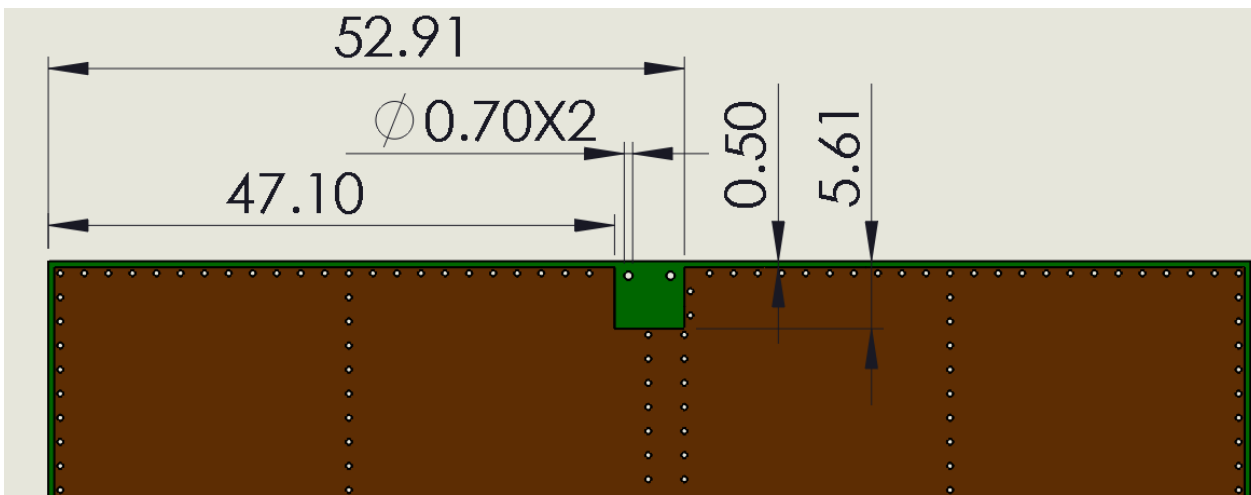
Series: Embedded Antenna

PART NUMBER: W3317

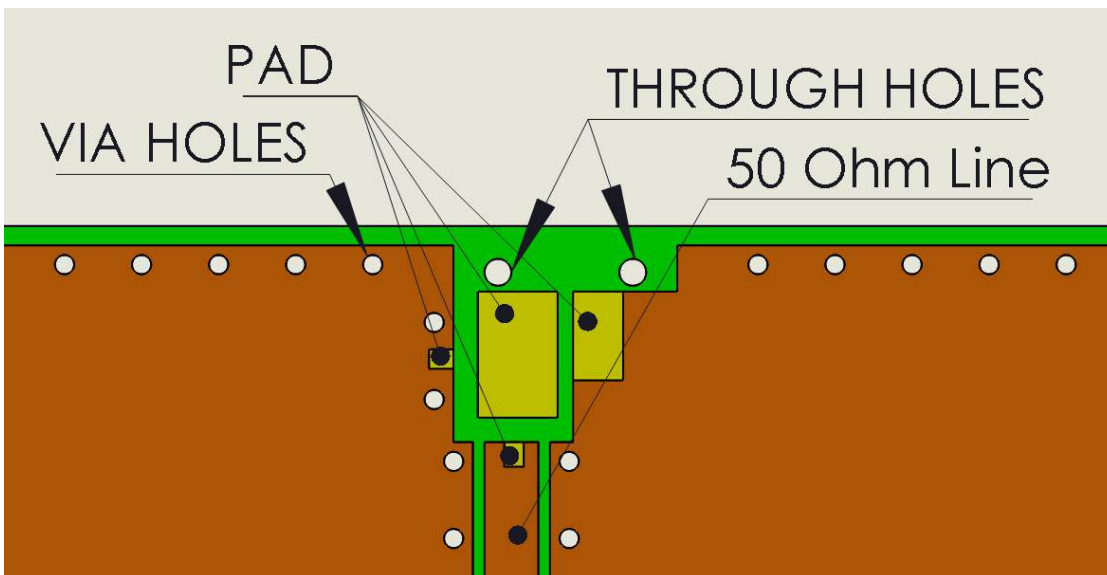
OTHER SPECIFICATIONS

PCB LAYOUT

3. Clearance area (Bottom)



4. PCB features



Issue: 1649

In the effort to improve our products, we reserve the right to make changes judged to be necessary.

CONFIDENTIAL AND PROPRIETARY INFORMATION

This document contains confidential and proprietary information of Pulse Electronics, Inc. (Pulse) and is protected by copyright, trade secret and other state and federal laws. Its receipt or possession does not convey any rights to reproduce, disclose its contents, or to manufacture, use or sell anything it may describe. Reproduction, disclosure or use without specific written authorization of Pulse is strictly forbidden.

Description: 2.4-2.5GHz Sheet Metal PIFA

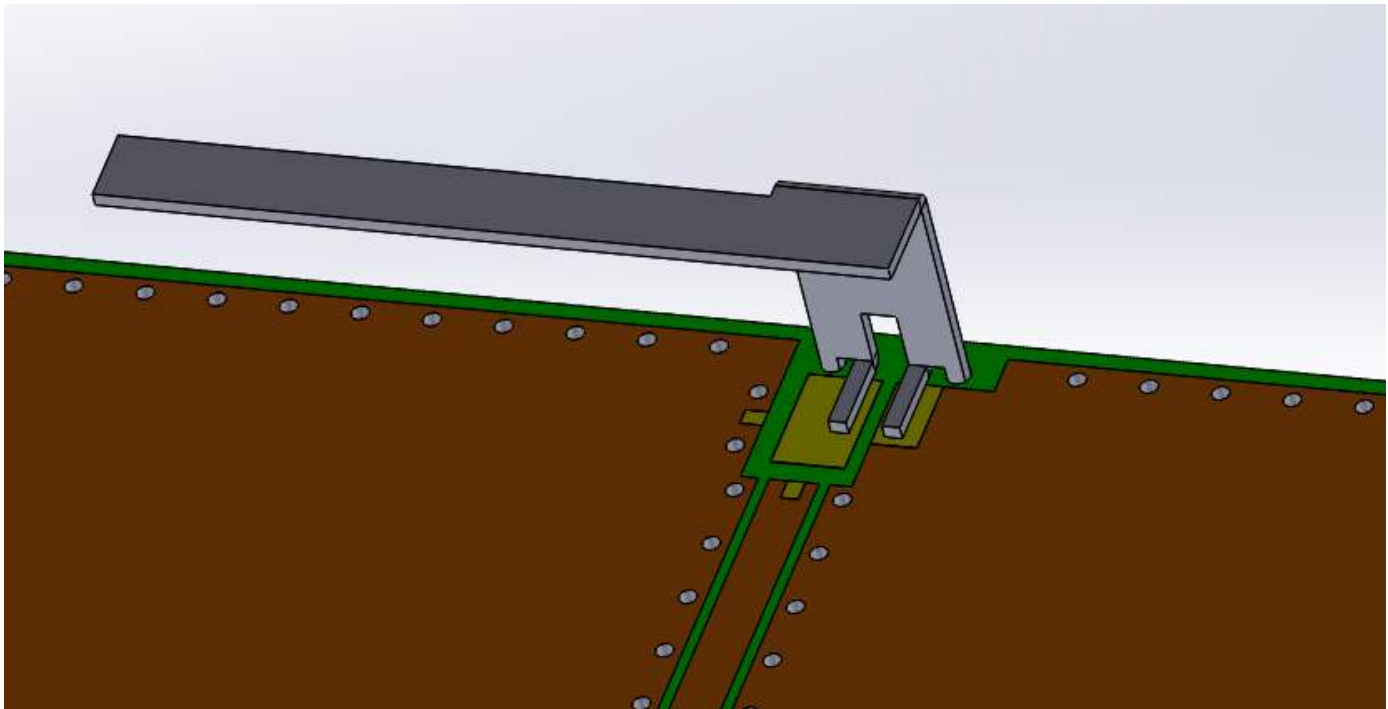
Series: Embedded Antenna

PART NUMBER: W3317

## OTHER SPECIFICATIONS

### ANTENNA MOUNTING ON PCB

5, Antenna on test PCB



Others:

1. This antenna is designed for manual or semi automated assembly.
2. While soldering of the antenna it is recommend to use process jig to keep the placement of the antenna stable.

Issue: 1649

In the effort to improve our products, we reserve the right to make changes judged to be necessary.

CONFIDENTIAL AND PROPRIETARY INFORMATION

This document contains confidential and proprietary information of Pulse Electronics, Inc. (Pulse) and is protected by copyright, trade secret and other state and federal laws. Its receipt or possession does not convey any rights to reproduce, disclose its contents, or to manufacture, use or sell anything it may describe. Reproduction, disclosure or use without specific written authorization of Pulse is strictly forbidden.

Description: 2.4-2.5GHz Sheet Metal PIFA

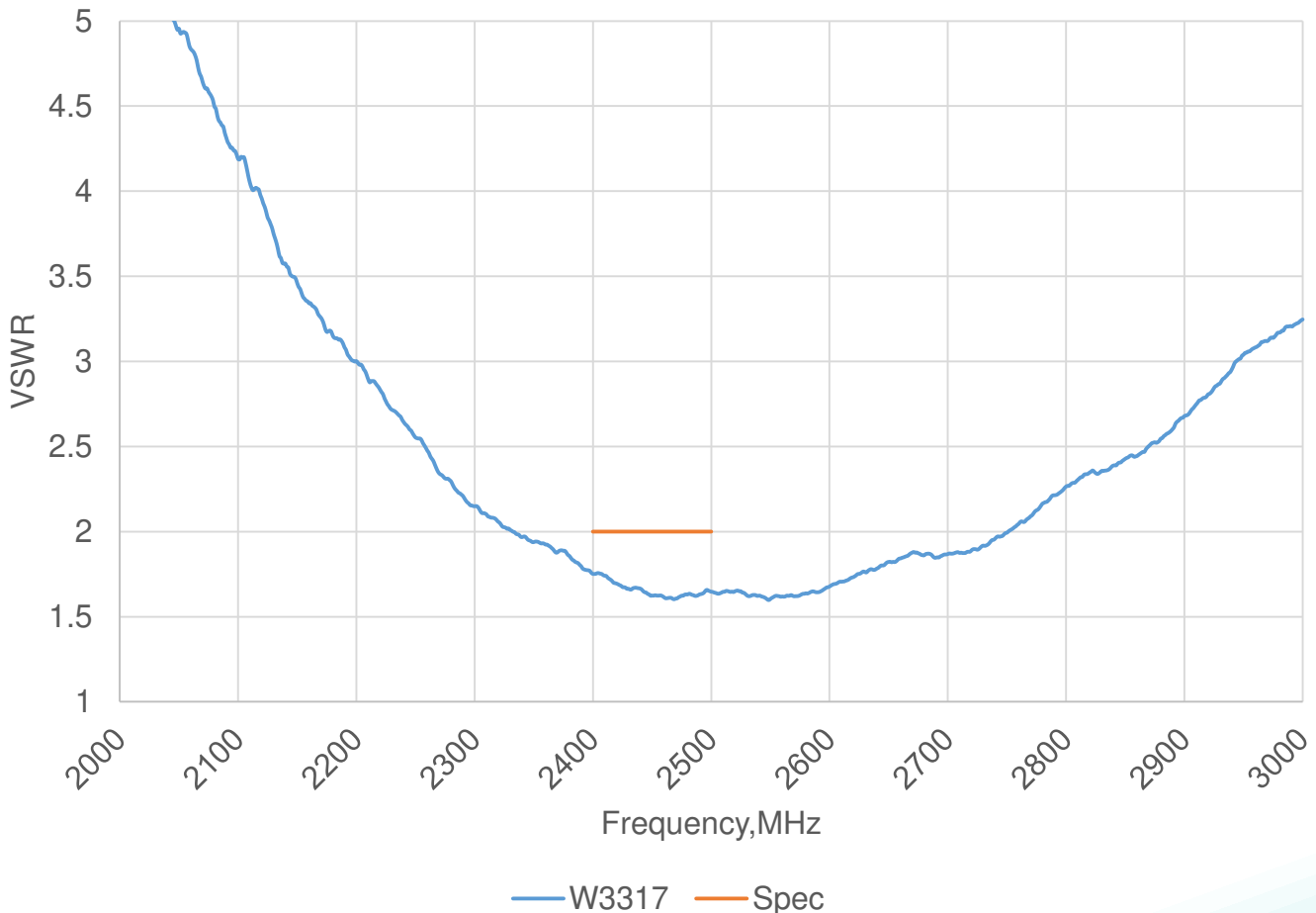
Series: Embedded Antenna

PART NUMBER: W3317

CHARTS

VSWR

VSWR vs Frequency measured with 100mm\*100mm ground  
W3317 measured at Pulse Suzhou



Issue: 1649

In the effort to improve our products, we reserve the right to make changes judged to be necessary.

CONFIDENTIAL AND PROPRIETARY INFORMATION

This document contains confidential and proprietary information of Pulse Electronics, Inc. (Pulse) and is protected by copyright, trade secret and other state and federal laws. Its receipt or possession does not convey any rights to reproduce, disclose its contents, or to manufacture, use or sell anything it may describe. Reproduction, disclosure or use without specific written authorization of Pulse is strictly forbidden.



Description: 2.4-2.5GHz Sheet Metal PIFA

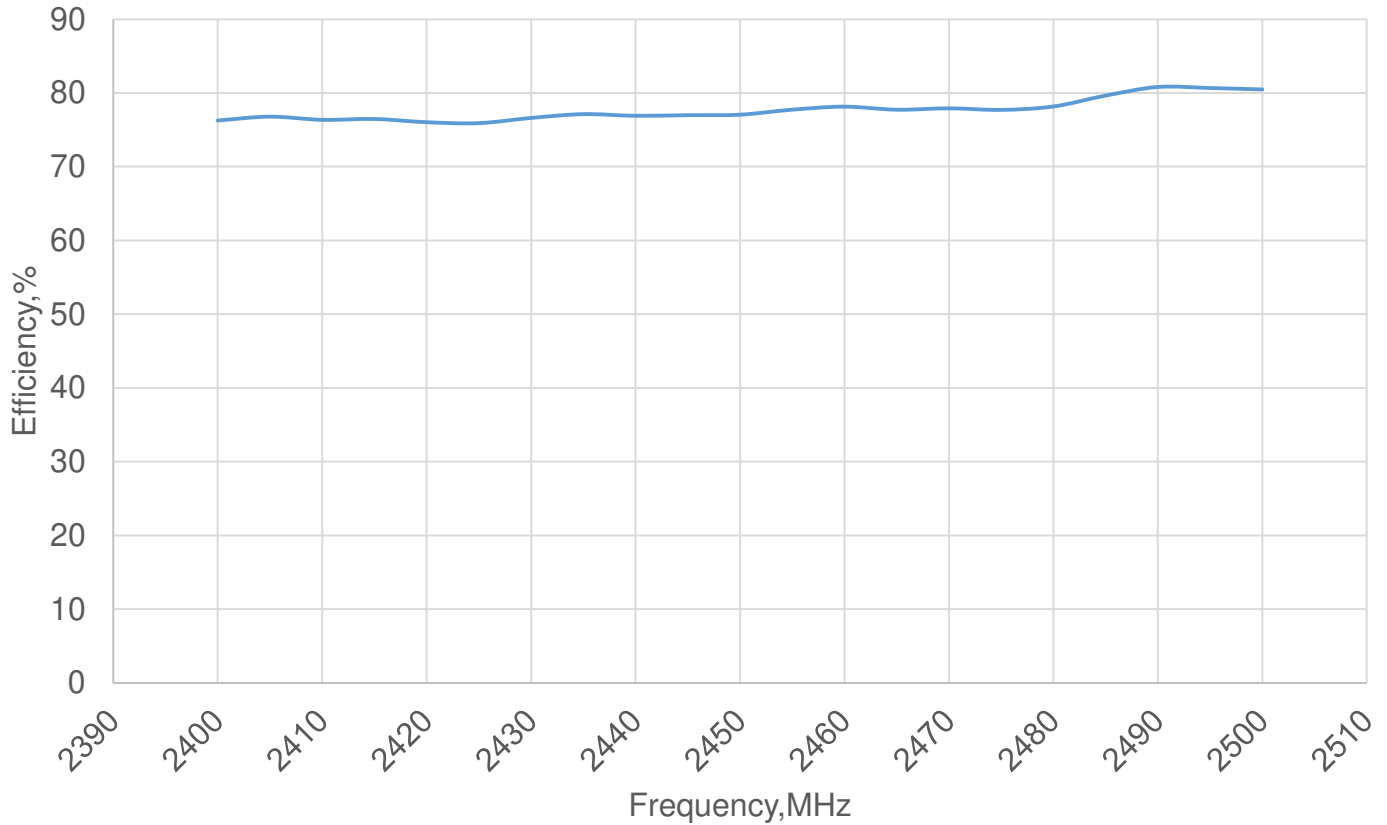
Series: Embedded Antenna

PART NUMBER: W3317

CHARTS

Efficiency

Efficiency vs Frequency measured with 100mm\*100mm ground  
W3317 measured at Pulse Suzhou



Issue: 1649

In the effort to improve our products, we reserve the right to make changes judged to be necessary.

CONFIDENTIAL AND PROPRIETARY INFORMATION

This document contains confidential and proprietary information of Pulse Electronics, Inc. (Pulse) and is protected by copyright, trade secret and other state and federal laws. Its receipt or possession does not convey any rights to reproduce, disclose its contents, or to manufacture, use or sell anything it may describe. Reproduction, disclosure or use without specific written authorization of Pulse is strictly forbidden.



Description: 2.4-2.5GHz Sheet Metal PIFA

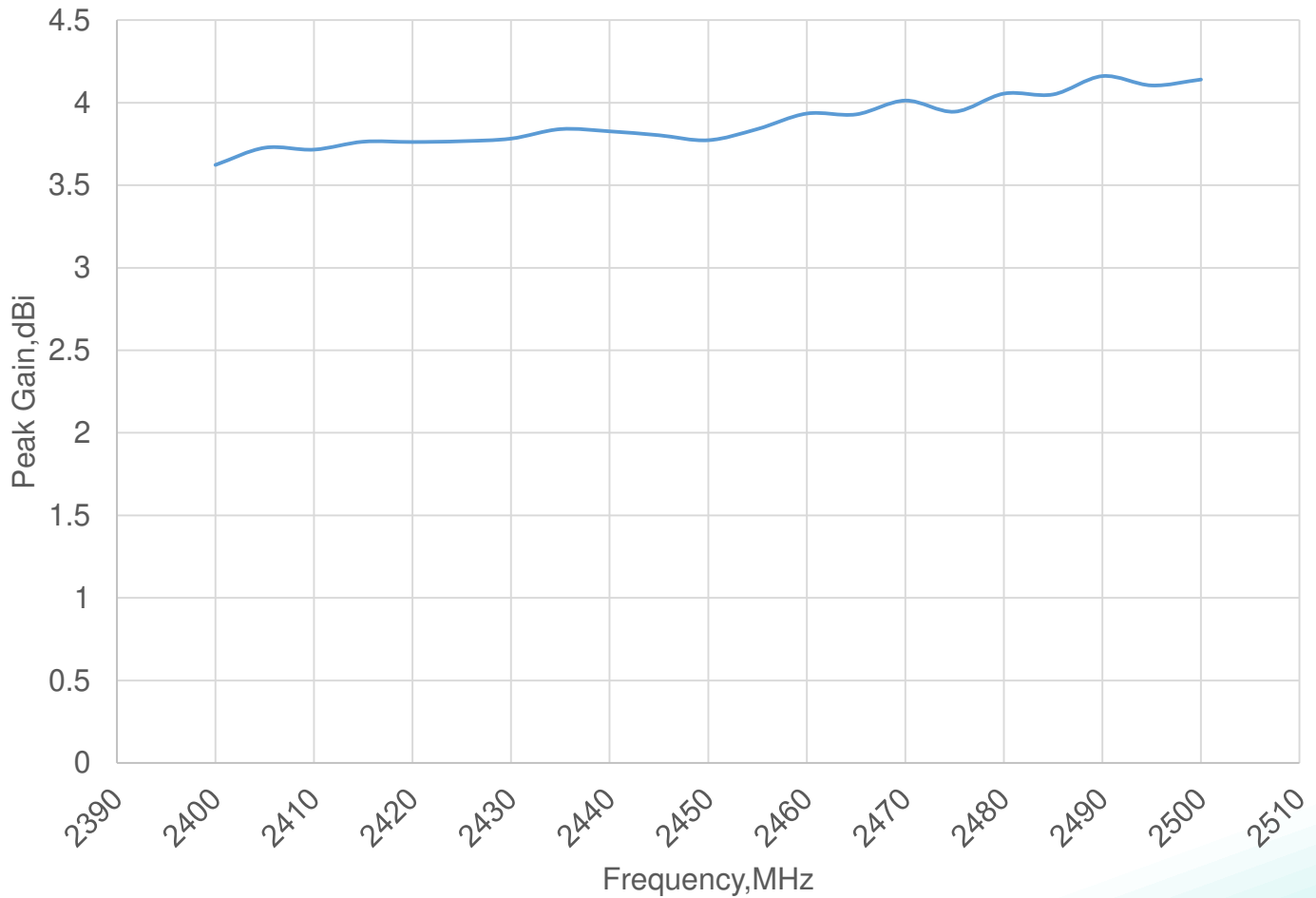
Series: Embedded Antenna

PART NUMBER: W3317

CHARTS

Peak Gain

Peak Gain vs Frequency measured with 100mm\*100mm ground  
W3317 measured at Pulse Suzhou



Issue: 1649

In the effort to improve our products, we reserve the right to make changes judged to be necessary.

CONFIDENTIAL AND PROPRIETARY INFORMATION

This document contains confidential and proprietary information of Pulse Electronics, Inc. (Pulse) and is protected by copyright, trade secret and other state and federal laws. Its receipt or possession does not convey any rights to reproduce, disclose its contents, or to manufacture, use or sell anything it may describe. Reproduction, disclosure or use without specific written authorization of Pulse is strictly forbidden.



Description: 2.4-2.5GHz Sheet Metal PIFA

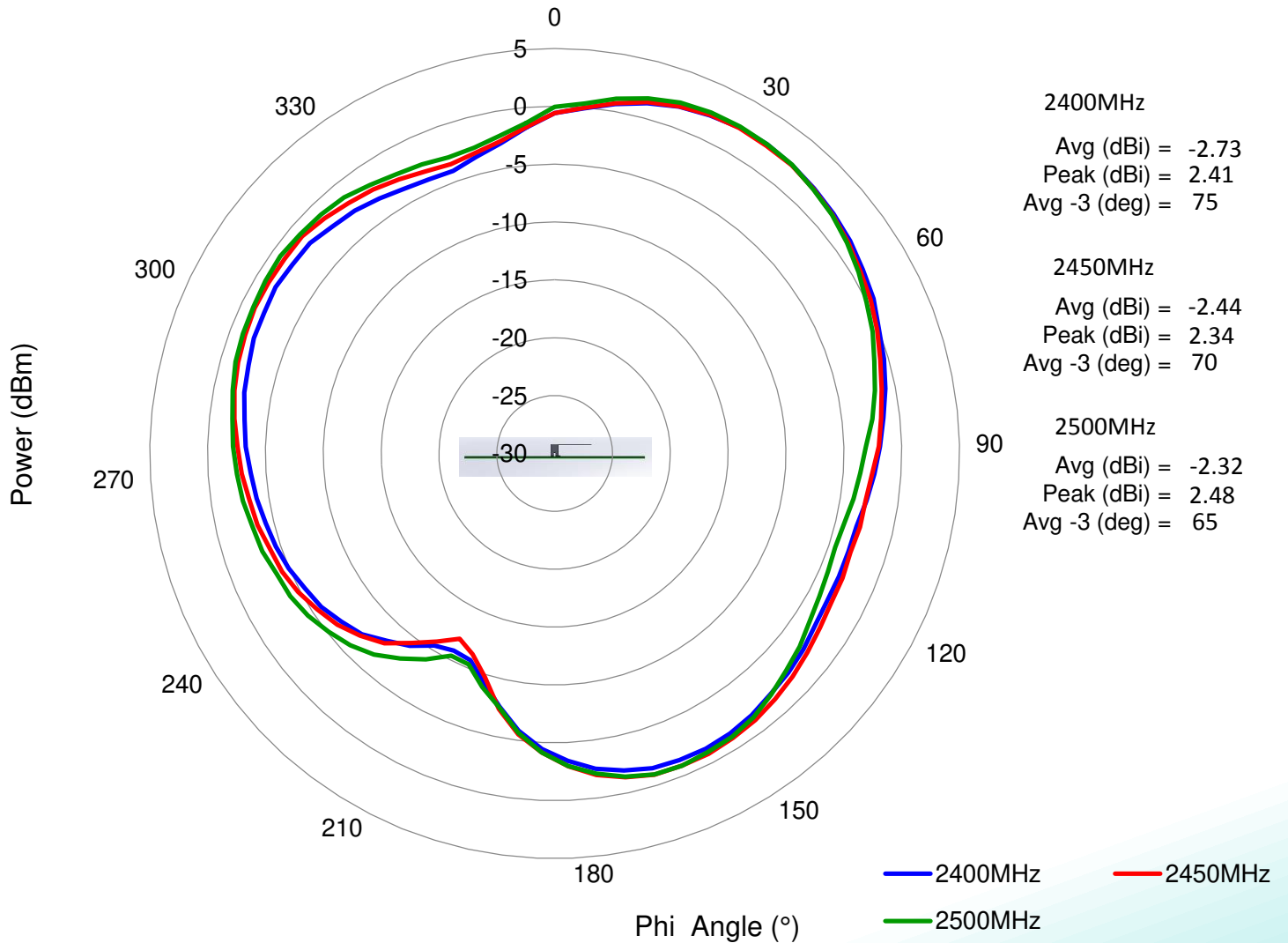
Series: Embedded Antenna

PART NUMBER: W3317

CHARTS

Gain plots

XY Plane



Issue: 1649

In the effort to improve our products, we reserve the right to make changes judged to be necessary.

CONFIDENTIAL AND PROPRIETARY INFORMATION

This document contains confidential and proprietary information of Pulse Electronics, Inc. (Pulse) and is protected by copyright, trade secret and other state and federal laws. Its receipt or possession does not convey any rights to reproduce, disclose its contents, or to manufacture, use or sell anything it may describe. Reproduction, disclosure or use without specific written authorization of Pulse is strictly forbidden.



Description: 2.4-2.5GHz Sheet Metal PIFA

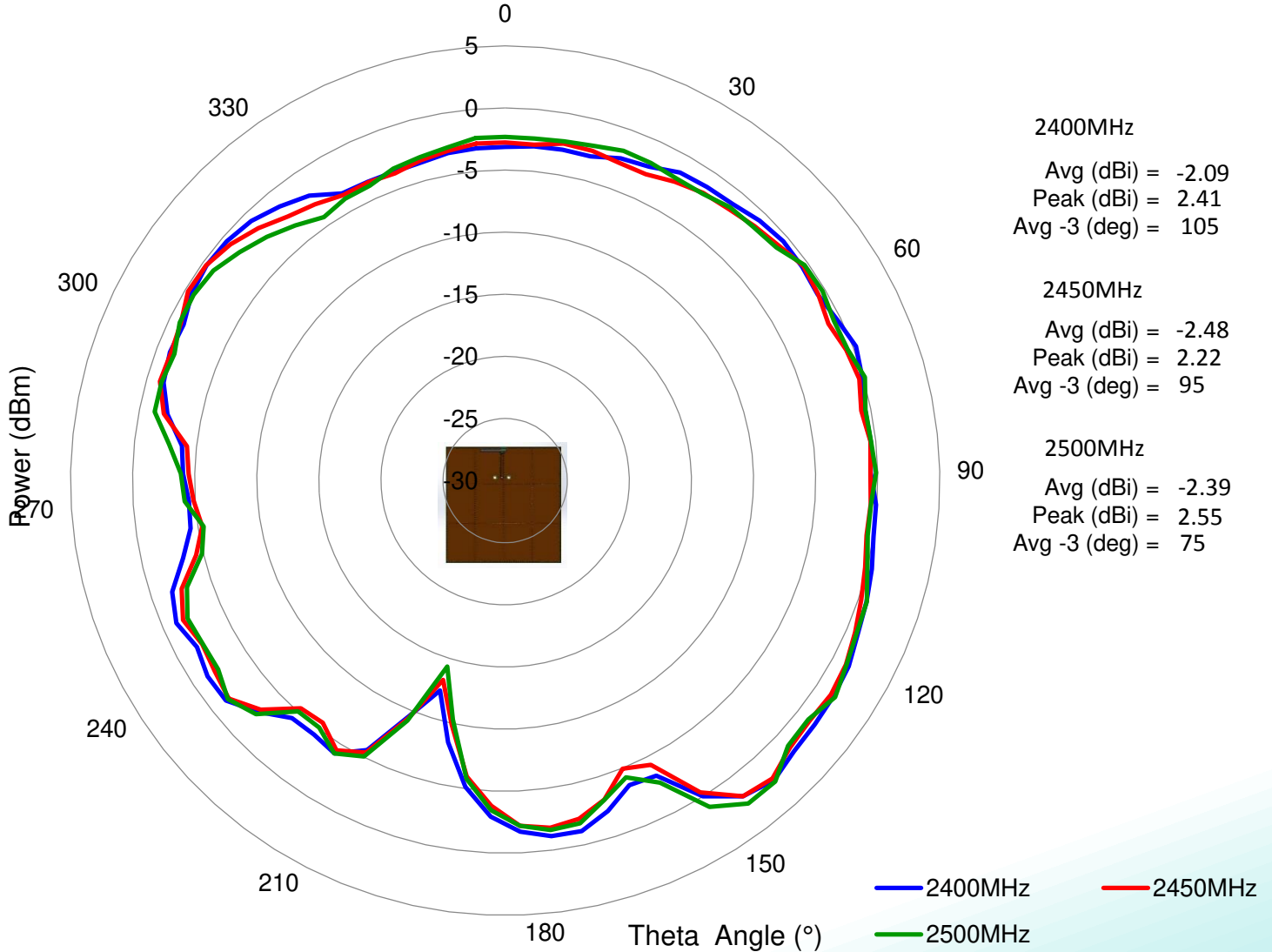
Series: Embedded Antenna

PART NUMBER: W3317

CHARTS

Gain plots

ZX Plane



Issue: 1649

In the effort to improve our products, we reserve the right to make changes judged to be necessary.

CONFIDENTIAL AND PROPRIETARY INFORMATION

This document contains confidential and proprietary information of Pulse Electronics, Inc. (Pulse) and is protected by copyright, trade secret and other state and federal laws. Its receipt or possession does not convey any rights to reproduce, disclose its contents, or to manufacture, use or sell anything it may describe. Reproduction, disclosure or use without specific written authorization of Pulse is strictly forbidden.

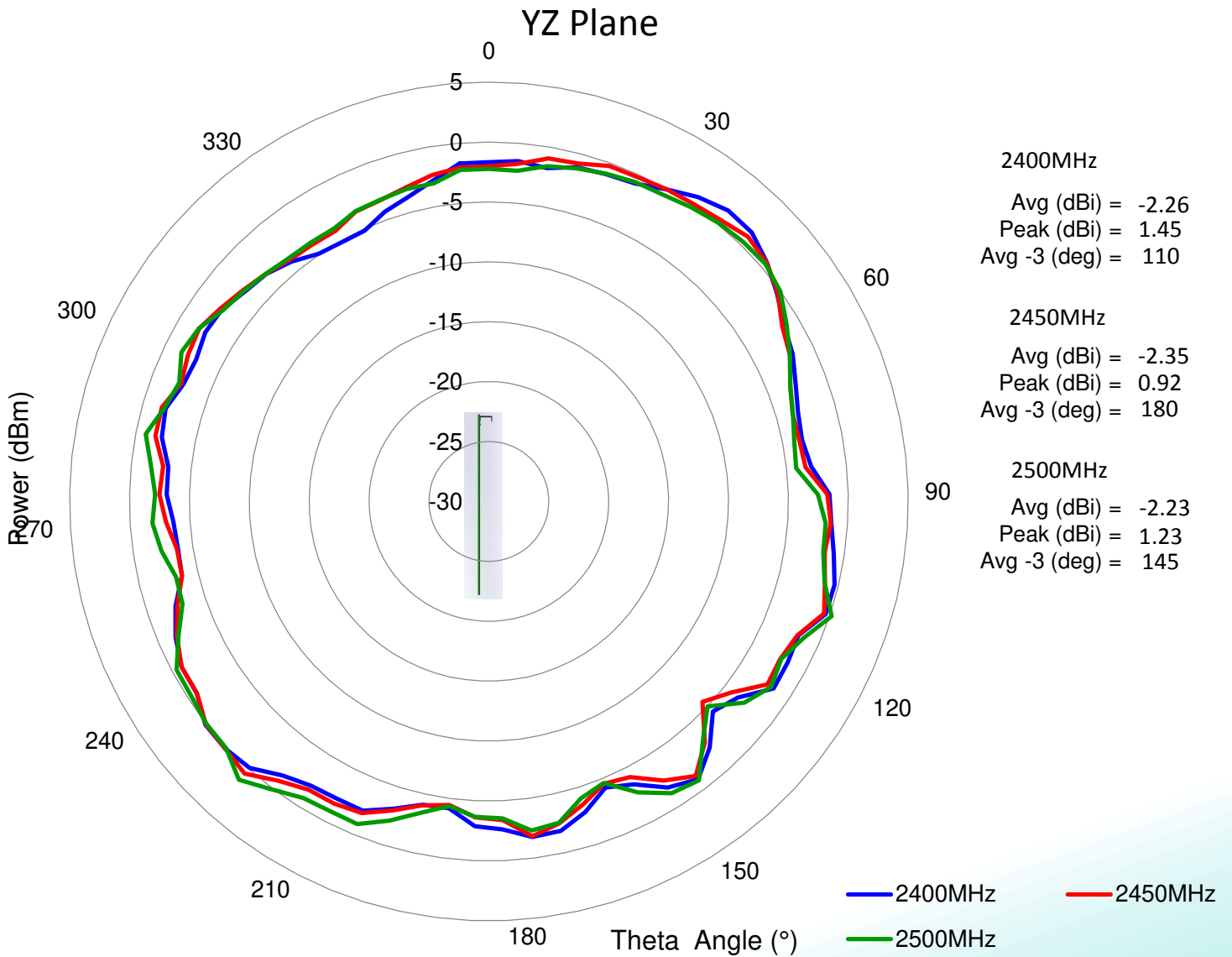
Description: 2.4-2.5GHz Sheet Metal PIFA

Series: Embedded Antenna

PART NUMBER: W3317

CHARTS

Gain plots



Issue: 1649

In the effort to improve our products, we reserve the right to make changes judged to be necessary.

CONFIDENTIAL AND PROPRIETARY INFORMATION

This document contains confidential and proprietary information of Pulse Electronics, Inc. (Pulse) and is protected by copyright, trade secret and other state and federal laws. Its receipt or possession does not convey any rights to reproduce, disclose its contents, or to manufacture, use or sell anything it may describe. Reproduction, disclosure or use without specific written authorization of Pulse is strictly forbidden.

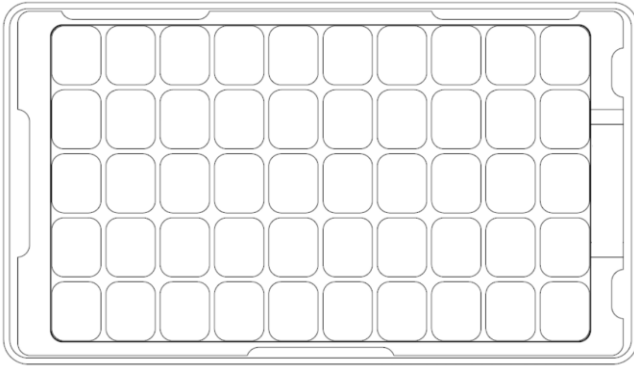
Description: 2.4-2.5GHz Sheet Metal PIFA

Series: Embedded Antenna

PART NUMBER: W3317

## PACKAGING

Tray packing  
50PCS/Tray  
2000PCS/Carton box



Issue: 1649

In the effort to improve our products, we reserve the right to make changes judged to be necessary.

CONFIDENTIAL AND PROPRIETARY INFORMATION

This document contains confidential and proprietary information of Pulse Electronics, Inc. (Pulse) and is protected by copyright, trade secret and other state and federal laws. Its receipt or possession does not convey any rights to reproduce, disclose its contents, or to manufacture, use or sell anything it may describe. Reproduction, disclosure or use without specific written authorization of Pulse is strictly forbidden.