

THIS DRAWING IS UNPUBLISHED.

RELEASED FOR PUBLICATION

20

© COPYRIGHT 20 BY -

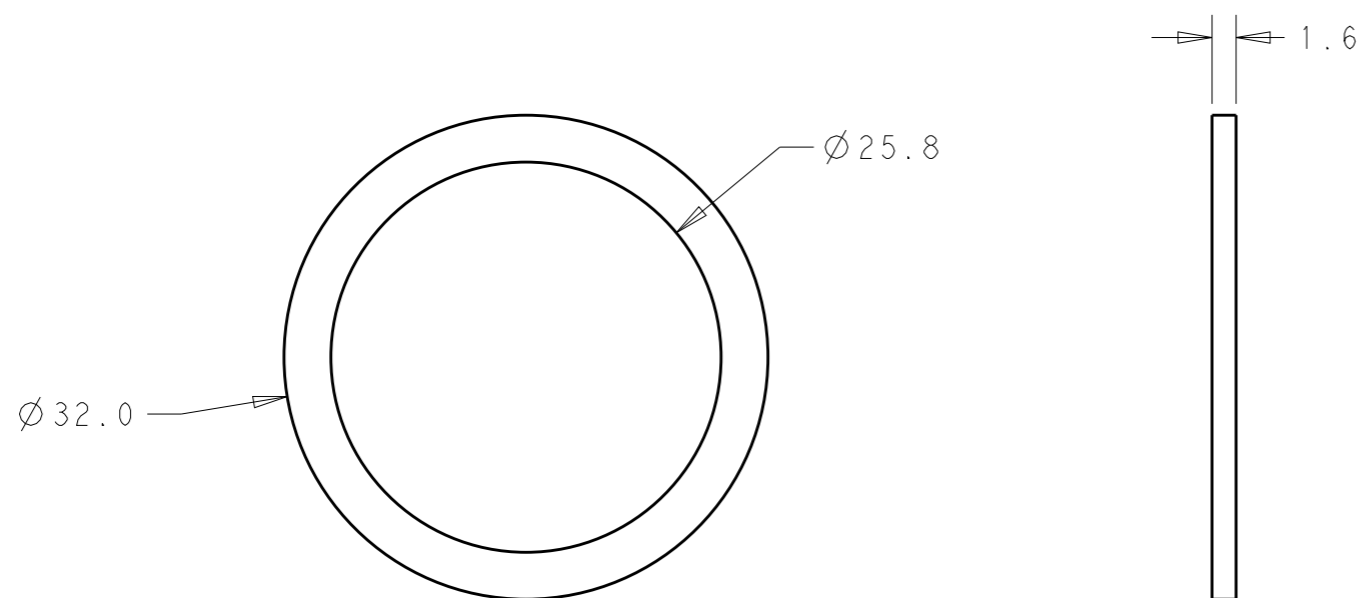
ALL RIGHTS RESERVED.

REVISIONS

P	LTR	DESCRIPTION	DATE	DWN	APVD
	A	REVISED AS PER ECR-15-005925	21APR2015	RS	JL

NOTES:

- 1. MATERIAL - SILICONE RUBBER, COLOR YELLOW
- 2. MUST COMPLY WITH DIRECTIVE 2002/95/EC (ROHS)
- 3. THIS PRODUCT HAS NOT COMPLETED VALIDATION TESTING

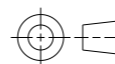


2213223-1

PART NO.

THIS DRAWING IS A CONTROLLED DOCUMENT.

DIMENSIONS:
mm



TOLERANCES UNLESS OTHERWISE SPECIFIED:

0 PLC	±-
1 PLC	±0.2
2 PLC	±0.13
3 PLC	±-
4 PLC	±-
ANGLES	±-

MATERIAL
NOTE 1

FINISH

-

DWN J. SHAFFER 13NOV2013

CHK M. LUKSIC 13NOV2013

APVD M. LUKSIC 13NOV2013

PRODUCT SPEC
108-133014

APPLICATION SPEC
114-32111

WEIGHT -

Customer Drawing



TE Connectivity

NAME
PANEL MNT SEAL, 5/6/7 POSITION,
NECTOR M-LINE, SEALED

SIZE CAGE CODE DRAWING NO RESTRICTED TO

A3 - C-2213223

SCALE 2:1 SHEET 1 OF 1 REV A