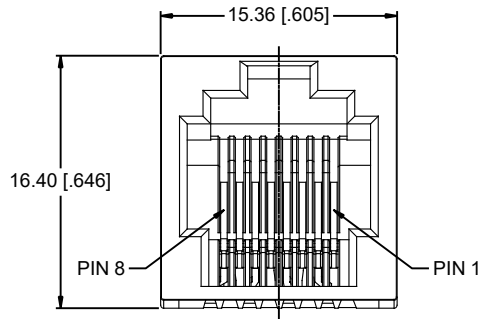
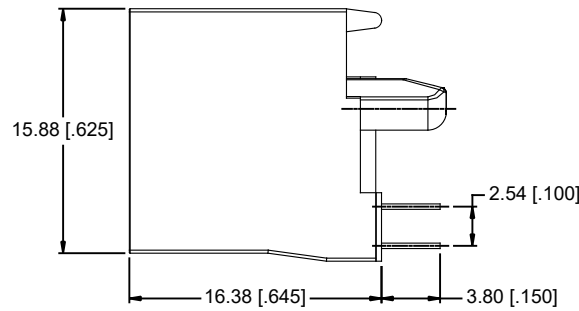


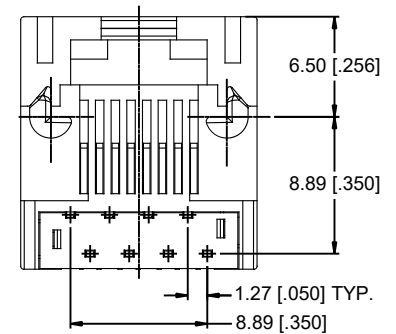
REVISIONS			
REV	DESCRIPTION, ECN, EAR NO.	DATE	APP'D
A	NEW PROPOSAL	DEC07/22	KELVIN



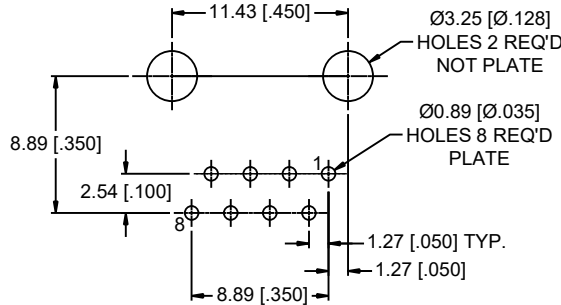
FRONT VIEW



SIDE VIEW



BACK VIEW



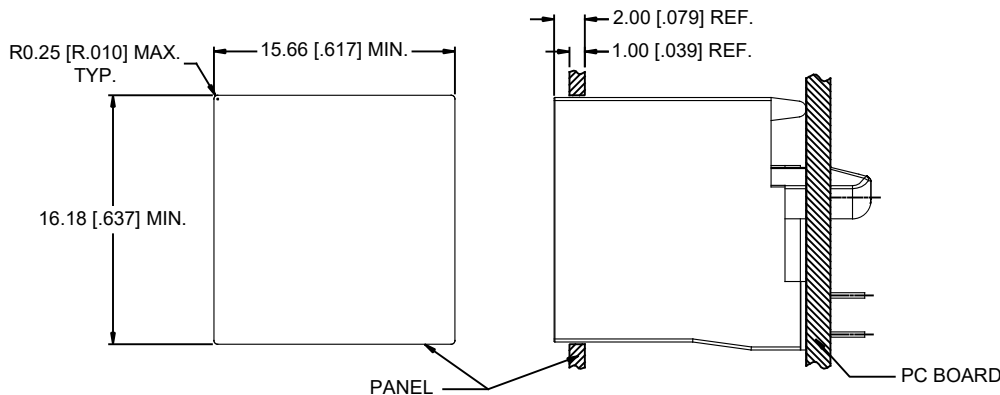
RECOMMENDED P.C.B LAYOUT
(TOLERANCE: $\pm 0.05[\pm 0.002]$)
(PCB THICKNESS: 1.57 [062])
(COMPONENT SIDE OF PC BOARD)



NOTES:

- MATERIALS:**
CONTACTS: PHOSPHOR BRONZE, 0.35MM THICKNESS,
PLATING: SELECTIVE GOLD PLATING ON MATING SURFACES,
SEE PART NO. FOR THICKNESS,
50 μ "[1.27 MICRONS] MIN. NICKEL OVERALL.
100 μ "[2.54 MICRONS] MIN. MATTE TIN ON SOLDER TAILS.
HOUSING: ENGINEERING THERMOPLASTIC, FLAMMABILITY RATING UL 94V-0
COLOR - BLACK.
 - MECHANICAL:**
MATING FORCE: 5.0 LBS MAXIMUM
 - ELECTRICAL:**
CONTACT RESISTANCE: 20 MILLIOHMS MAXIMUM
INSULATION RESISTANCE: 500 MEGOHMS MINIMUM
CUTTENT RATING: 1.5 AMPS
VOLTAGE RATING: 125 VOLTS AC
 - ENVIRONMENTAL:**
STORAGE TEMPERATURE: -40°C TO +85°C
 - RECOMMENDED SOLDERING TEMPERATURE:**
WAVE SOLDERING PEAKED AT 260°C FOR 5 TO 8 SECONDS.
- AMPHENOL PART NUMBER: RJE08-188-0X1E

- GOLD PLATING OPTIONS:
0 = GOLD FLASH PLATING
1 = 6 μ " GOLD PLATING
2 = 15 μ " GOLD PLATING
3 = 30 μ " GOLD PLATING
4 = 50 μ " GOLD PLATING



RECOMMENDED PANEL CUTOUT

UNLESS SPECIFIED OTHERWISE	DRAWN	RONNIE.C	DEC07/22
PRIMARY UNITS MILLIMETERS	CHECKED	KELVIN.T	DEC07/22
SECONDARY INCHES	M.E. APP'D		
REFERENCE IN PARENTHESSES	Q.A. APP'D		
GENERAL TOLERANCES	DWG APP'D		
1 DECIMAL PLACE ± 0.35	ENG. REL. NO.		
2 DECIMAL PLACES ± 0.25	REF.		
3 DECIMAL PLACES ± 0.15			
ANGULAR DEGREES $\pm 2.0^\circ$	THIRD ANGLE PROJECTION		DO NOT SCALE DRAWING

Amphenol Canada Corp. Commercial Products	
SINGLE PORT, VERTICAL MODULAR JACK, 8 POSITION, 8 CONTACTS, UNSHIELD, FLAT CONTACT -RoHS COMPLIANT	
DWG NO.	P-RJE08-188-0X1E
REV	A
CODE ID NO. 03554	DWG SIZE X SCALE N/A SHEET 1 OF 1