

THE INFORMATION CONTAINED HEREIN IS CONSIDERED 'PROPRIETARY' TO BEL FUSE INC. AND SHALL NOT BE COPIED, REPRODUCED OR DISCLOSED WITHOUT THE WRITTEN APPROVAL OF BEL FUSE INC.

LED1 POLARITY			LED2 POLARITY		
PIN 13	PIN 14	COLOR	PIN 15	PIN 16	COLOR
-	+	GREEN	-	+	GREEN



ELECTRICAL CHARACTERISTICS @ 25°C

TURNS RATIO

TP1	1CT : 1CT ±2%
TP2	1CT : 1CT ±2%
TP3	1CT : 1CT ±2%
TP4	1CT : 1CT ±2%

OCL @ 100kHz/100mVRMS

8mA DC BIAS 350µH MIN.

INS. LOSS

0.1MHz TO 1MHz	-1.1 dB MAX
1MHz TO 65MHz	-0.5 dB MAX
65MHz TO 100MHz	-0.8 dB MAX
100MHz TO 125MHz	-1.2 dB MAX

RET. LOSS (MIN)

0.5MHz-40MHz	-18 dB
40MHz-100MHz	-12+20LOG(f/80MHz) dB

CROSS TALK

100kHz - 100MHz -33+20LOG(f/100MHz)dB MIN

CM TO CM REJ

100kHz - 100MHz -30 dB MIN

CM TO DM REJ

100kHz - 100MHz -35 dB MIN

HIPDT (Isolation Voltage):

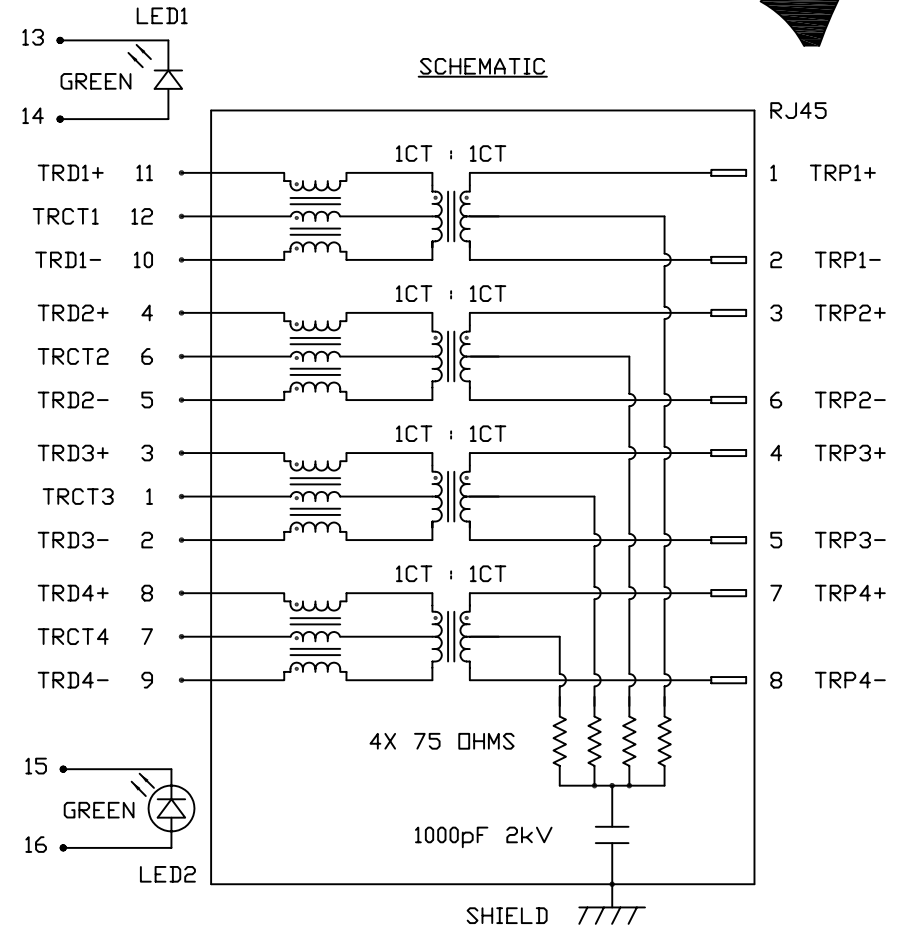
1500 Vrms or 2250 VDC

LED 1 & 2

VF (FORWARD VOLTAGE)	IF=20mA GREEN	2.2V TYP.
λD (DOMINANT WAVELENGTH)	IF=20mA GREEN	565nm TYP.

USB ELECTRICAL:

INSULATION RESISTANCE:	1000 MEGA Ω(MIN)
CONTACT RESISTANCE:	25 MILLI Ω(MAX)
DIELECTRIC WITHSTANDING:	750 VAC



ORIGINATED BY	DATE	TITLE	PART NO. / DRAWING NO.	STANDARD DIM. TOL. IN INCH	[] METRIC DIM. AS REFERENCE
CHUNG	11-01-05	gigabit MagJack® Combo (single USB, 8 cores) 0821-1G1T-43-F	08211G1T43-F	.X	UNIT : INCH [mm] REV. : A
DRAWN BY	DATE		FILE NAME	.XX	SCALE : N/A SIZE : A4
DE	11-01-05		08211G1T43-FA.DWG	.XXX	PAGE : 2

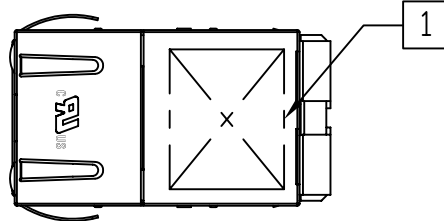


THE INFORMATION CONTAINED HEREIN IS CONSIDERED "PROPRIETARY" TO BEL FUSE INC. AND SHALL NOT BE COPIED, REPRODUCED OR DISCLOSED WITHOUT THE WRITTEN APPROVAL OF BEL FUSE INC.

RoHS
2002/95/EC



MECHANICAL SPECIFICATION



RJ45 MECHCNICAL:

PLASTIC HOUSING: THERMOPLASTIC PBT
 FLAMMABILITY RATING UL 94V-0
 CONTACT PLATING: 30 MICRO-INCH HARD GOLD PLATING
 PINS: TIN-COATED COPPER WIRE,
 DIA 0.018 INCH.
 METAL SHIELD: NICKEL PLATED ON COPPER ALLOY.
 (ALL GROUND LEADS ARE SOLDER DIPPED)

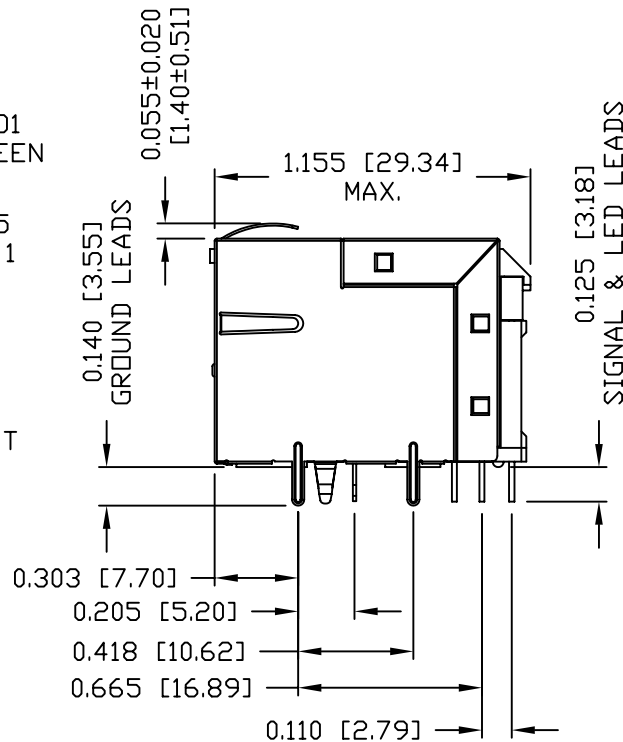
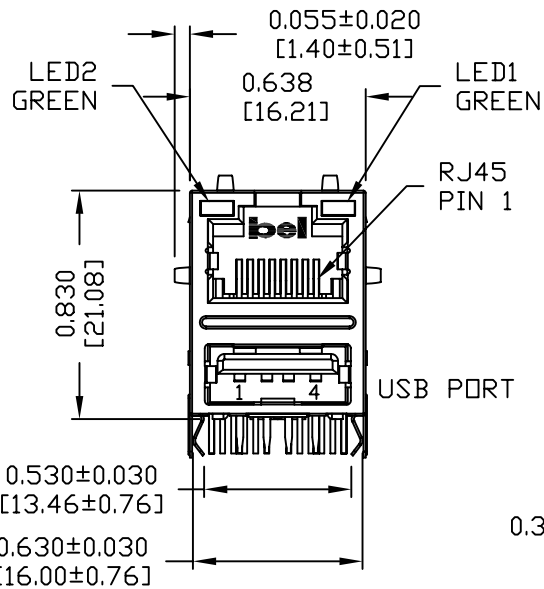
[1] MARK PART WITH MFG LOGO, MFG NAME, PART NUMBER, AND DATE CODE.

USB MECHANICAL:

MATING FORCE: 35 NEWTONS MAXIMUM
 UNMATING FORCE: 10 NEWTONS MINIMUM
 CONTACT: PROSPHER BRONZE
 30 MICRO-INCH MIN GOLD PLATING
 ON CONTACT AREA AND LEAD-FREE
 TIN ON SOLDER TAIL.

RoHS COMPLAINE, PER EU DIRECTIVE 2002/95/EC.

C  US UL RECOGNIZED - FILE #E196366 AND E169987.



ORIGINATED BY BILL	DATE 11-01-05	TITLE gigabit MagJack® Combo (single USB, 8 cores) 0821-1G1T-43-F	PART NO. / DRAWING NO. 08211G1T43-F		STANDARD DIM. TOL. IN INCH		[] METRIC DIM. AS REFERENCE	
			FILE NAME 08211G1T43-FA.DWG		.X .XX .XXX	±0.010	UNIT : INCH [mm] SCALE : N/A	REV. : A SIZE : A4 PAGE : 3
DRAWN BY QIN	DATE 11-01-05							

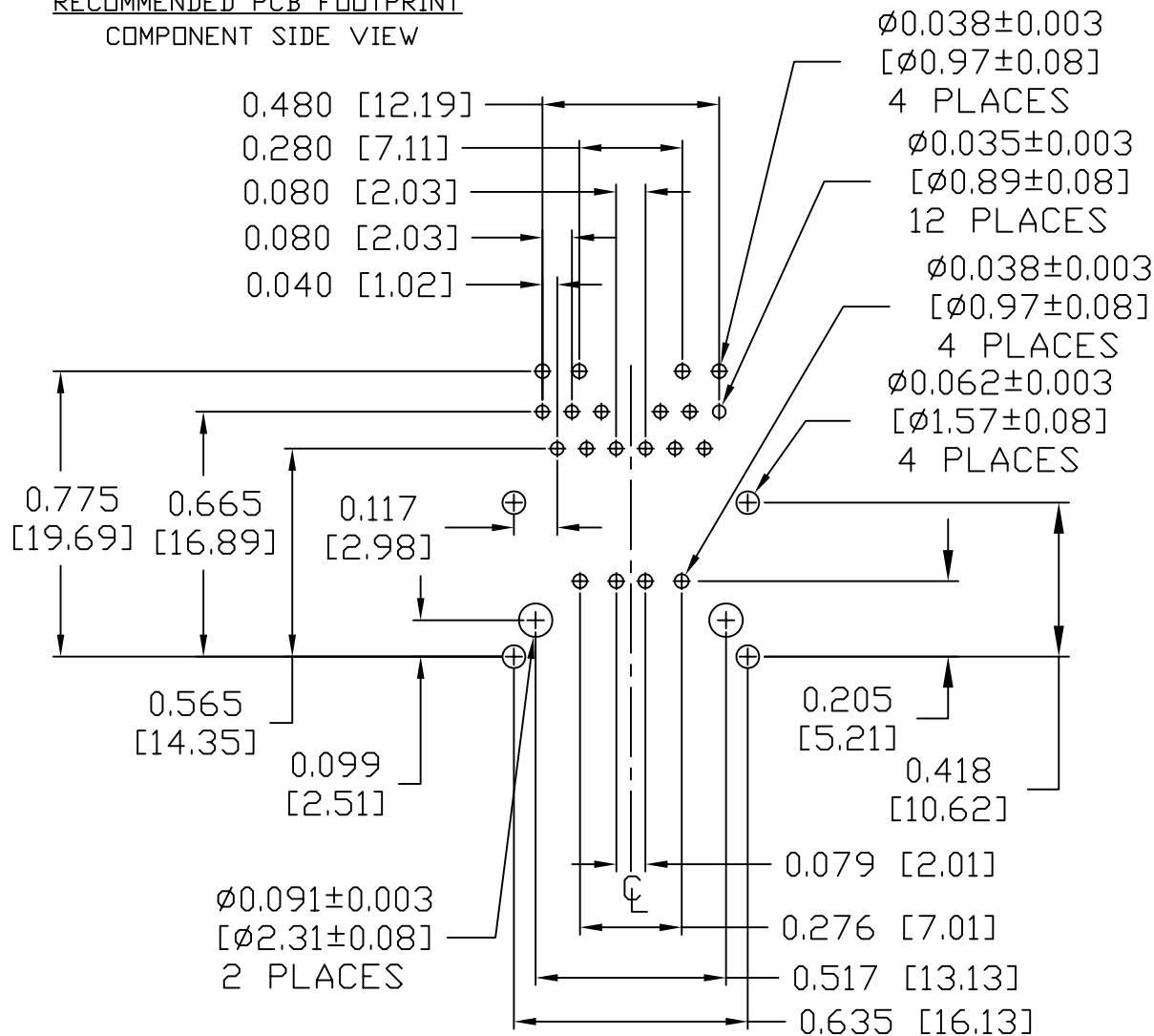
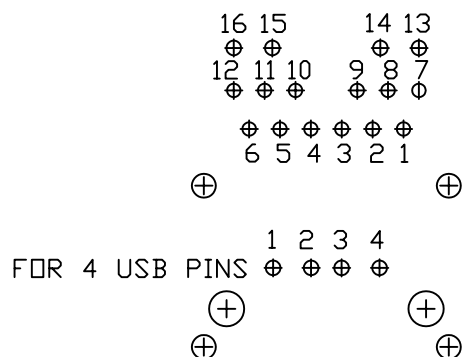


THE INFORMATION CONTAINED HEREIN IS CONSIDERED
 'PROPRIETARY' TO BEL FUSE INC. AND SHALL NOT BE
 COPIED, REPRODUCED OR DISCLOSED WITHOUT THE
 WRITTEN APPROVAL OF BEL FUSE INC.

RoHS
 2002/95/EC



RECOMMENDED PCB FOOTPRINT
 COMPONENT SIDE VIEW



ORIGINATED BY BILL	DATE 11-01-05	TITLE gigabit MagJack® Combo (single USB, 8 cores) 0821-1G1T-43-F	PART NO. / DRAWING NO. 08211G1T43-F		STANDARD DIM. TOL. IN INCH	[] METRIC DIM. AS REFERENCE	
			FILE NAME 08211G1T43-FA.DWG		.X .XX .XXX	UNIT : INCH [mm] SCALE : N/A []	REV. : A SIZE : A4 PAGE : 4
DRAWN BY QIN	DATE 11-01-05				±0.004		

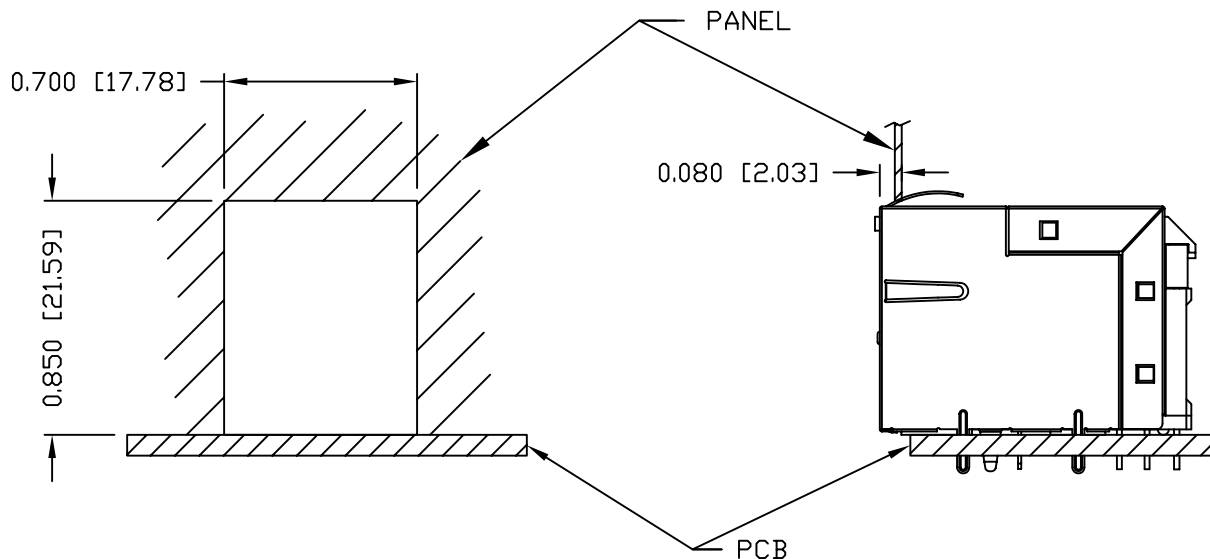


THE INFORMATION CONTAINED HEREIN IS CONSIDERED 'PROPRIETARY' TO BEL FUSE INC. AND SHALL NOT BE COPIED, REPRODUCED OR DISCLOSED WITHOUT THE WRITTEN APPROVAL OF BEL FUSE INC.

RoHS
2002/95/EC



SUGGESTED PANEL OPENING



NOTES:

THE DISTANCE OF PANEL INSIDE SURFACE RELATIVE TO FRONT SURFACE OF PART IS ONLY A SUGGESTION. IN CASE THIS DISTANCE IS DIFFERENT, THE REQUIRED PANEL OPENING DIMENSIONS CHANGE ACCORDINGLY.

PACKING INFORMATION

PACKING TRAY : 0200-0148-48 (TOP)
0200-0148-49 (BOTTOM)

PACKING QUANTITY : 60 PCS FINISHED GOODS PER TRAY
8 TRAYS (480 PCS FINISHED GOODS) PER CARTON BOX

NOTE : CARDBOARDS ARE PLACED BETWEEN LAYERS OF PACKING TRAY INSIDE CARTON BOX
(INCLUDE THE UPPERMOST AND LOWERMOST TRAY)

ORIGINATED BY	DATE	TITLE	PART NO. / DRAWING NO.	STANDARD DIM. TOL. IN INCH	[] METRIC DIM. AS REFERENCE
BILL	11-01-05	gigabit MagJack® Combo (single USB, 8 cores) 0821-1G1T-43-F	08211G1T43-F	.X	UNIT : INCH [mm] REV. : A
DRAWN BY	DATE		FILE NAME	.XX	SCALE : N/A SIZE : A4
QIN	11-01-05		08211G1T43-FA.DWG	.XXX ±0.004	PAGE : 5

