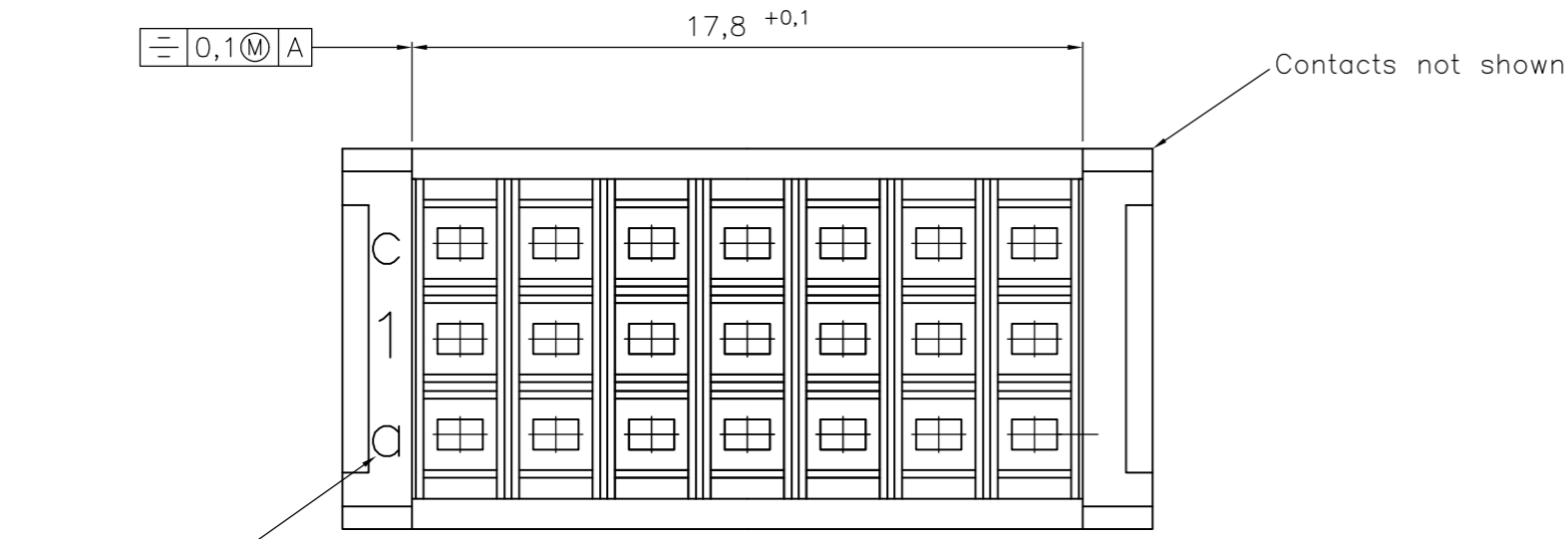
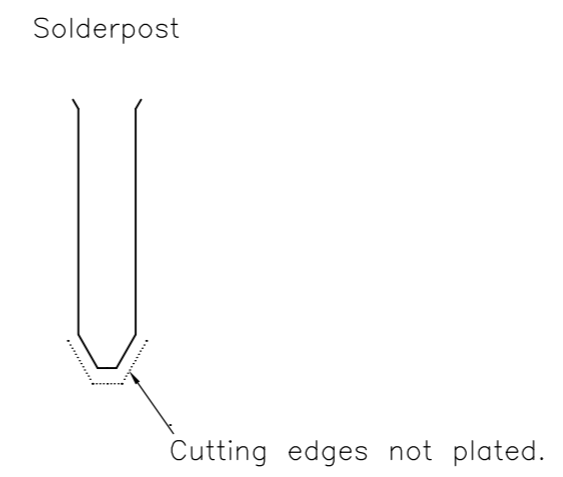


THIS DRAWING IS UNPUBLISHED. RELEASED FOR PUBLICATION  
 © COPYRIGHT BY TYCO ELECTRONICS CORPORATION. ALL INTERNATIONAL RIGHTS RESERVED.

LOC	DIST	REVISIONS					
		P	LTR	DESCRIPTION	DATE	DWN	APVD
H	-		A	WO 00/7012	20-07-00	-	VS
			B	SR10-0250-02	24-05-02	-	BC
			B1	ECR-09-015706	24-11-09	AEG	MKO



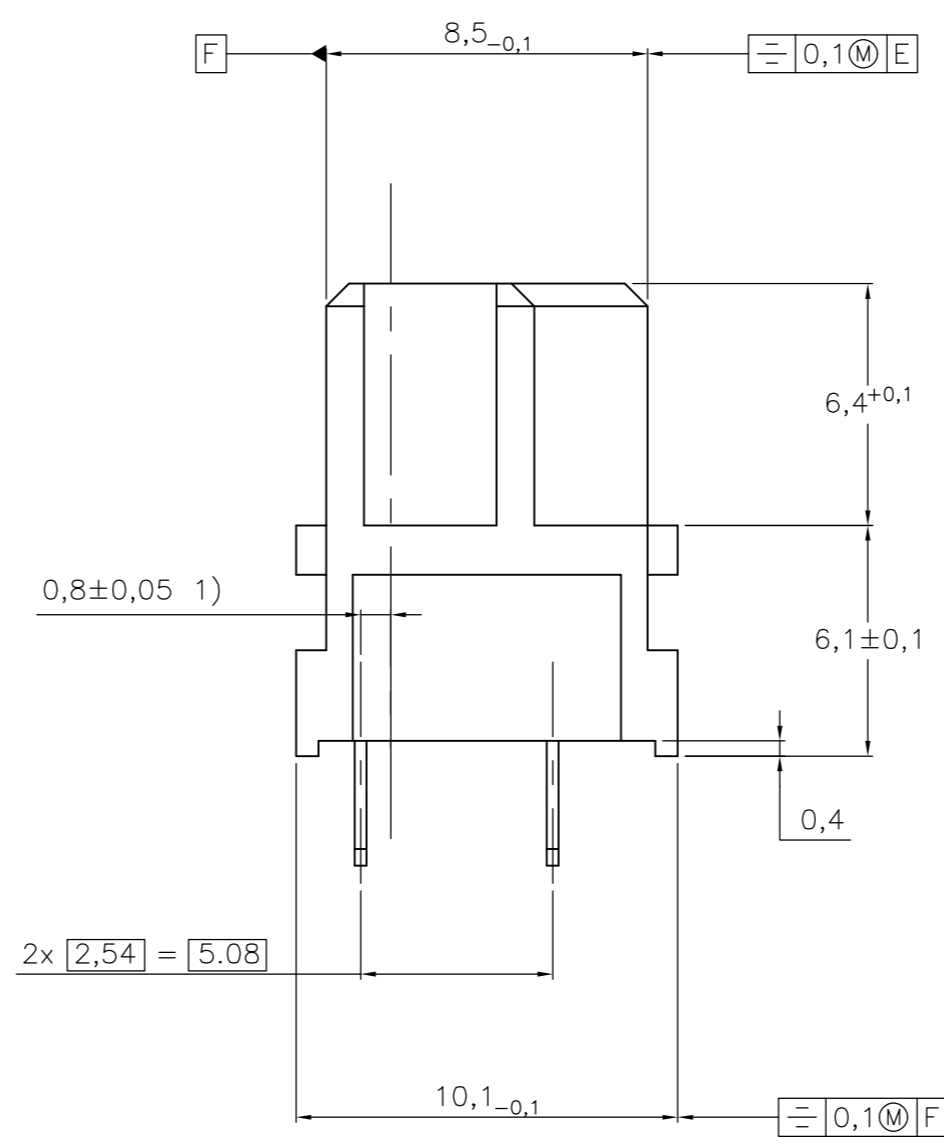
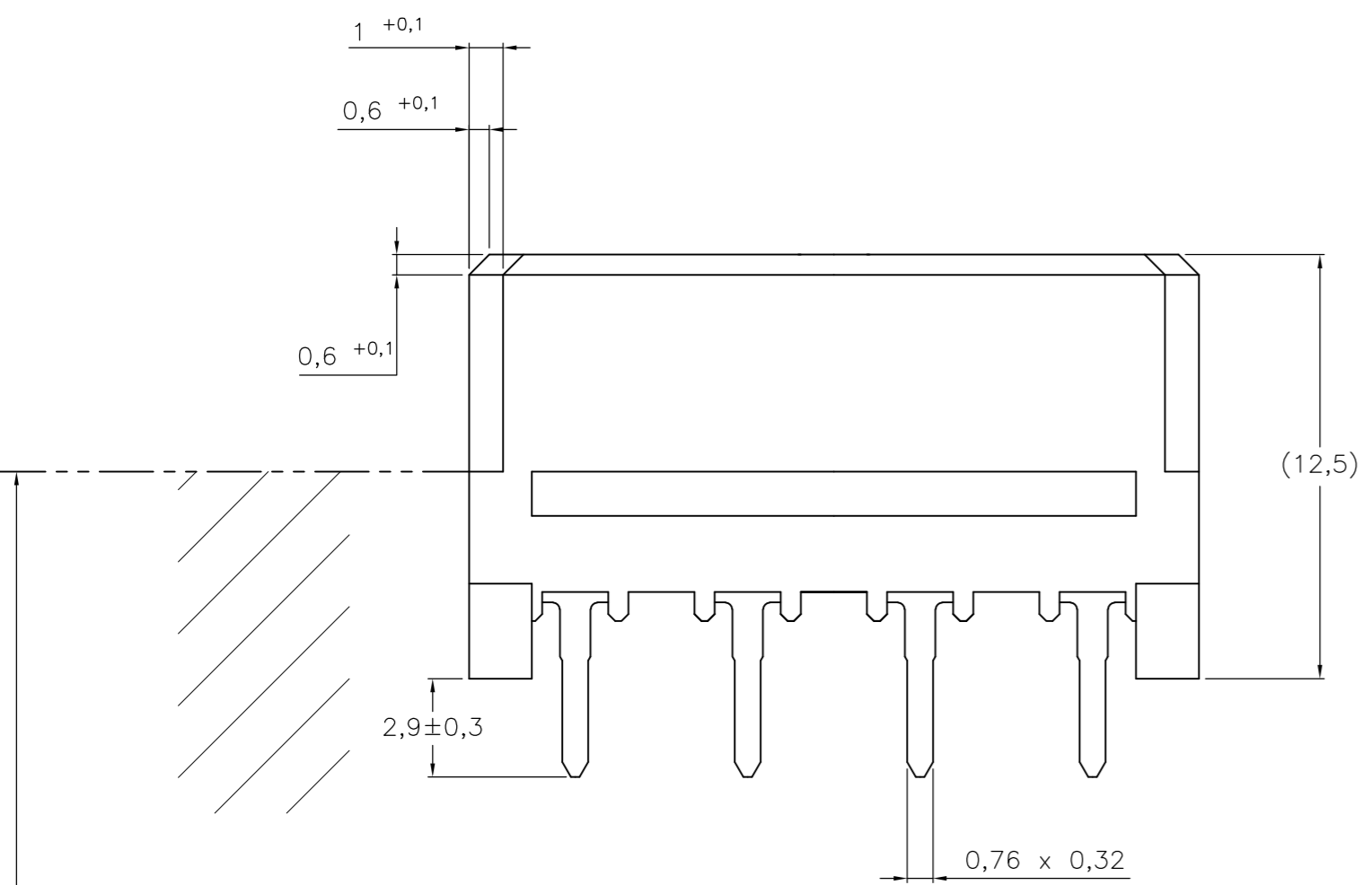
Marking E2-8  
 DIN 30640;  
 0.2 raised.



Loading Pattern (8 contacts)

	1	2	3	4	5	6	7
Row a	+	o	+	o	+	o	+
Row b	o	o	o	o	o	o	o
Row c	+	o	+	o	+	o	+

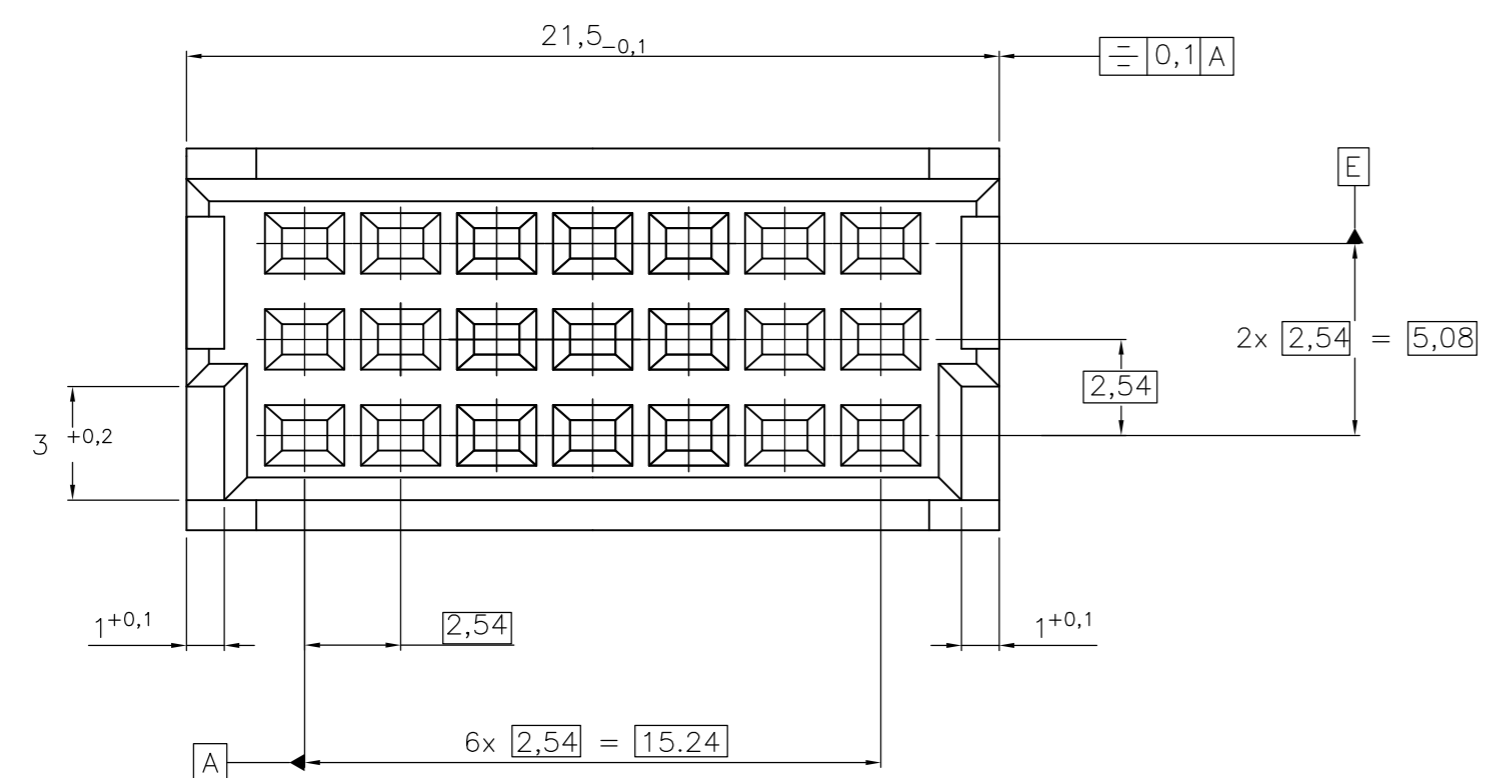
+ = contact  
 o = no contact



Specifications acc. IEC 603-2. Performance Level 2

Housing : PBTP 30% Glasfilled (UL94-V0)  
 Pebblegrey similar RAL 7032

Contact material : Copper Alloy  
 Plating : Contact area : PdNi+Au or Au  
 Termination area : Sn with flux-tight coating.



1) Center-displacement between termination- and contact-side.

Active Partnumber. Contact Tyco Electronics for other configuration availability

Old Partnumber	TE Partnumber
V42254-F2299-R1	1393657-1

THIS DRAWING IS A CONTROLLED DOCUMENT.		DWN Cuvelier	10JUN98	Tyco Electronics Corporation s-Hertogenbosch, Nederland	
DIMENSIONS: mm		CHK	-	NAME Receptacle Ass'y, Type R, 21 pos.	
TOLERANCES UNLESS OTHERWISE SPECIFIED:		APVD PD_COM	-	PRODUCT SPEC	
0 PLC ± -		APPLICATION SPEC	-	V42254-F2299-R1-*--26	
1 PLC ± -		WEIGHT	-	SIZE A2	CAGE CODE 00779
2 PLC ± -		CUSTOMER DRAWING	-	DRAWING NO C=1393657-1	RESTRICTED TO
3 PLC ± -		SCALE 5:1;10:1	-	SHEET 1 of 1	REV B1
4 PLC ± -					
ANGLES ± -					
FINISH					