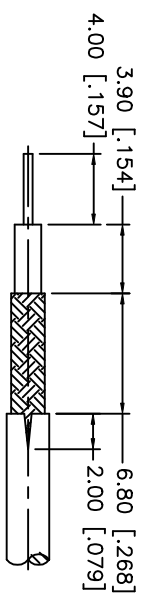
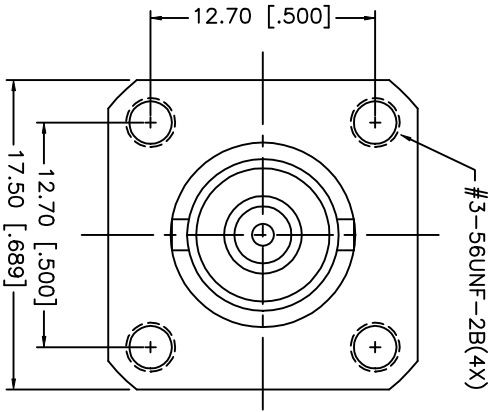


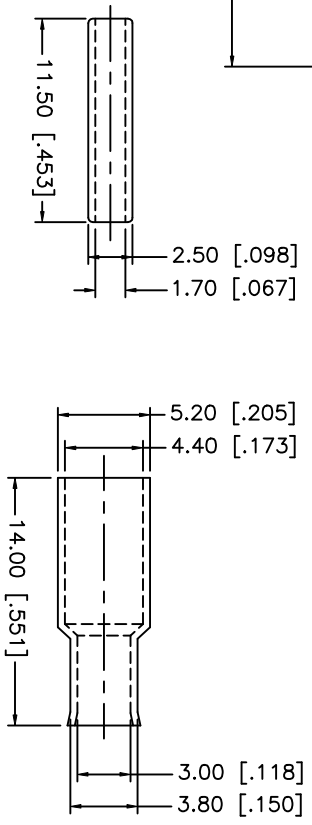
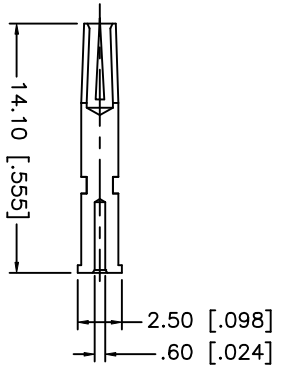
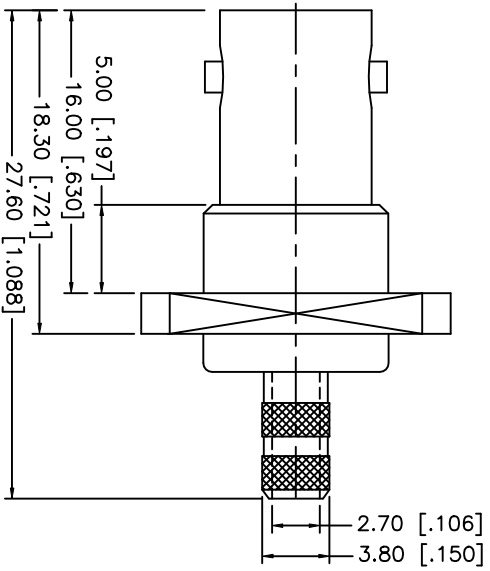
REV.	DATE	DESCRIPTION
NC	07/29/02	INITIAL RELEASE



RECOMMENDED
CABLE STRIPPING DIM'S



#3-56UNF-2B(4X)



8																			
7																			
6	FERRULE	COPPER	NICKEL																
5	SLEEVE	DELIRIN	NATURAL																
4	CONTACT PIN	PHOS. BRONZE	GOLD																
3	BARREL	BRASS	NICKEL																
2	INSULATOR	TEFLON	NATURAL																
1	BODY/HOUSING	BRASS	NICKEL																
	DESCRIPTION	MATERIAL	FINISH																
				UNLESS OTHERWISE SPECIFIED DIMENSIONS ARE IN MILLIMETERS				APPROVALS				DATE							
				DIMENSIONS IN [] ARE IN INCHES FOR CUSTOMER REFERENCE ONLY				DRAWN G.R.S.				07/29/02							
				UNLESS OTHERWISE SPECIFIED TOLERANCES FOR INCHES ARE: .XXX = ± 0.005" .XX = ± 0.010" .X = ± 0.020"				CHECKED											
				DO NOT SCALE DRAWING				ISSUED											
												Amphenol - Connex CONNECTOR CORPORATION							
												TITLE BNC PANEL JACK - W/ #3-56 TAPPED HOLES (FOR RG-174/U, 188A/U, 316/U CABLE)							
		SIZE		FSQM NO.		DWG. NO.		SCALE		PART NO.		SHEET		REV.					
		A		99001		112288-11.DWG		NA		112288-11		1 OF 1		NC					