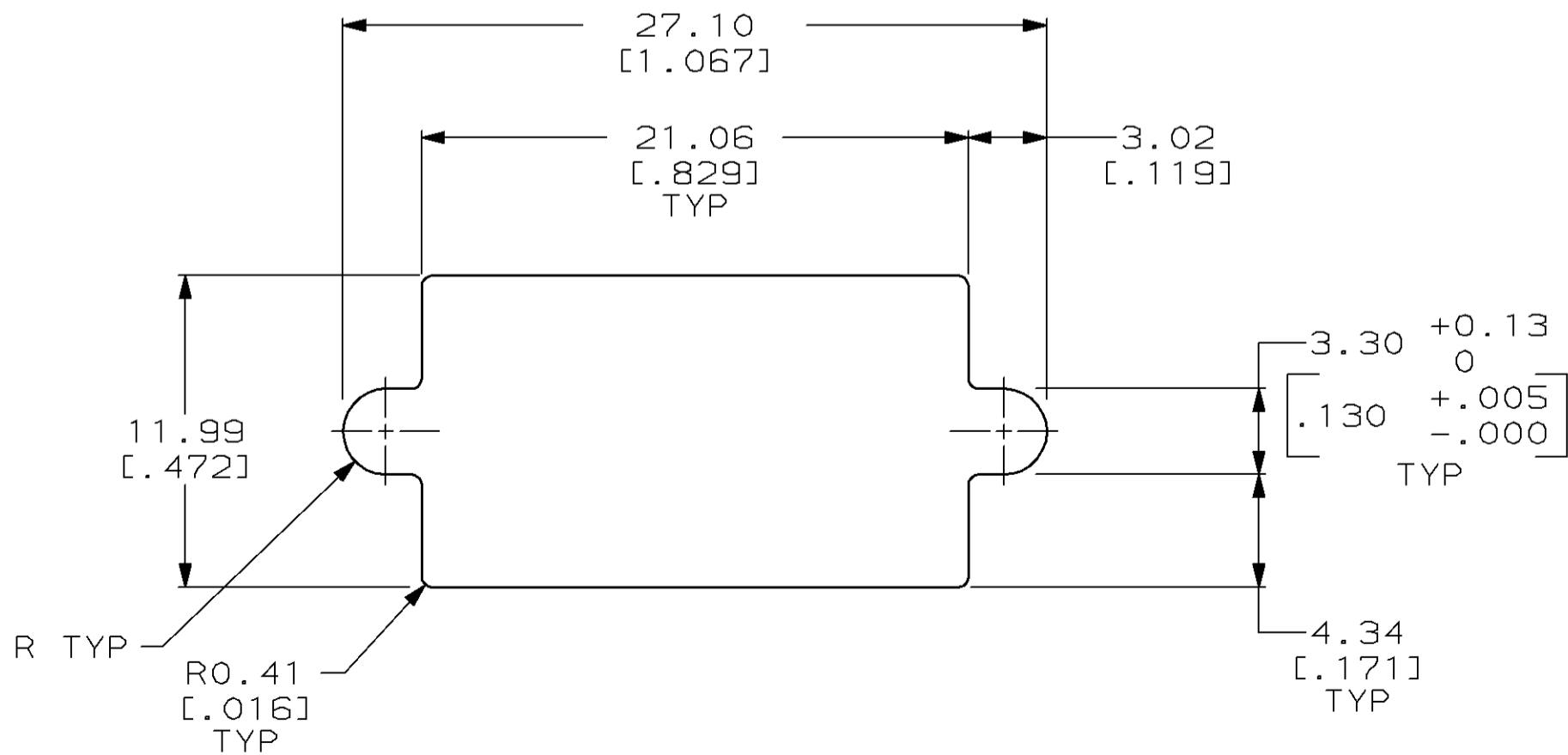
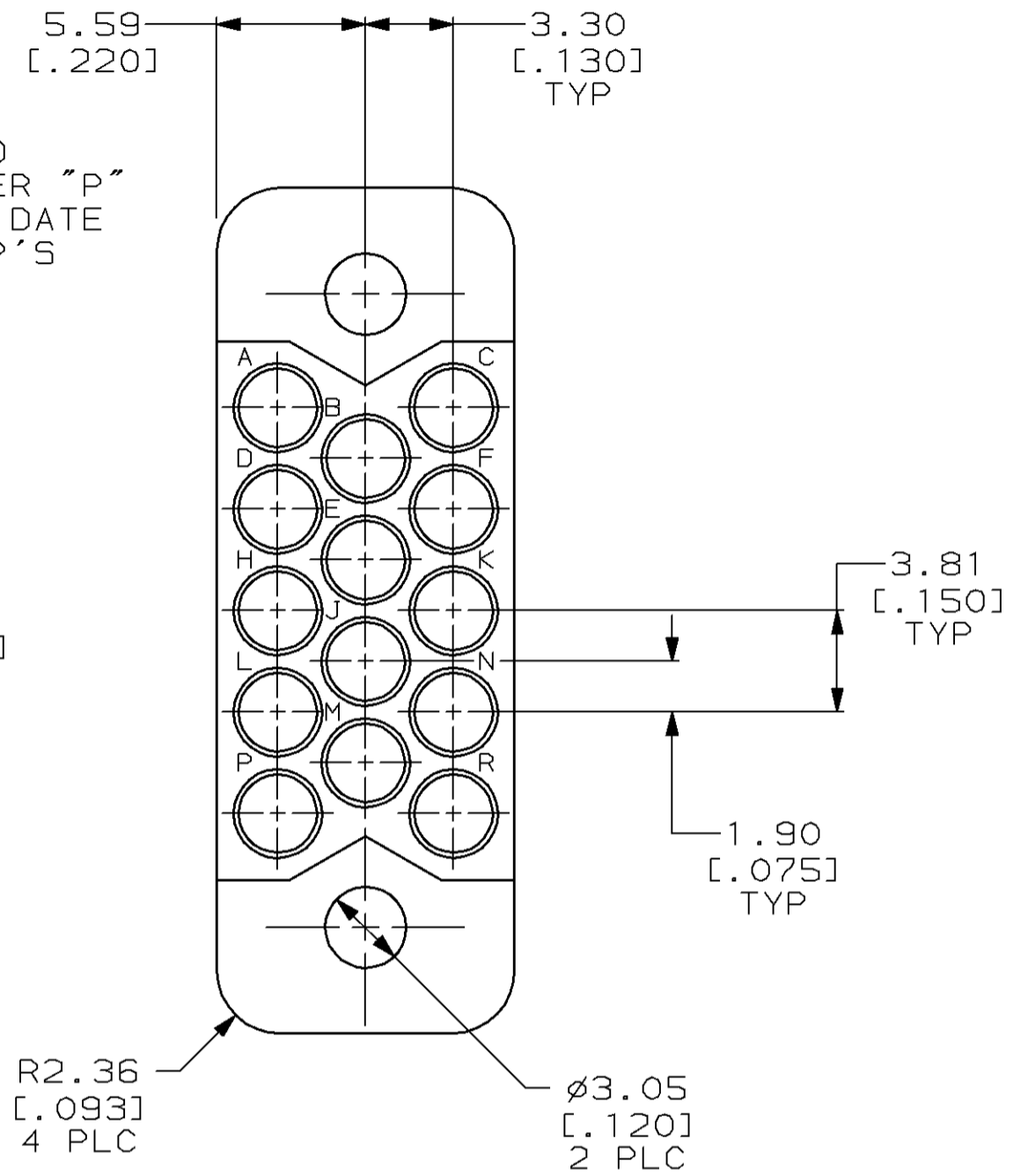
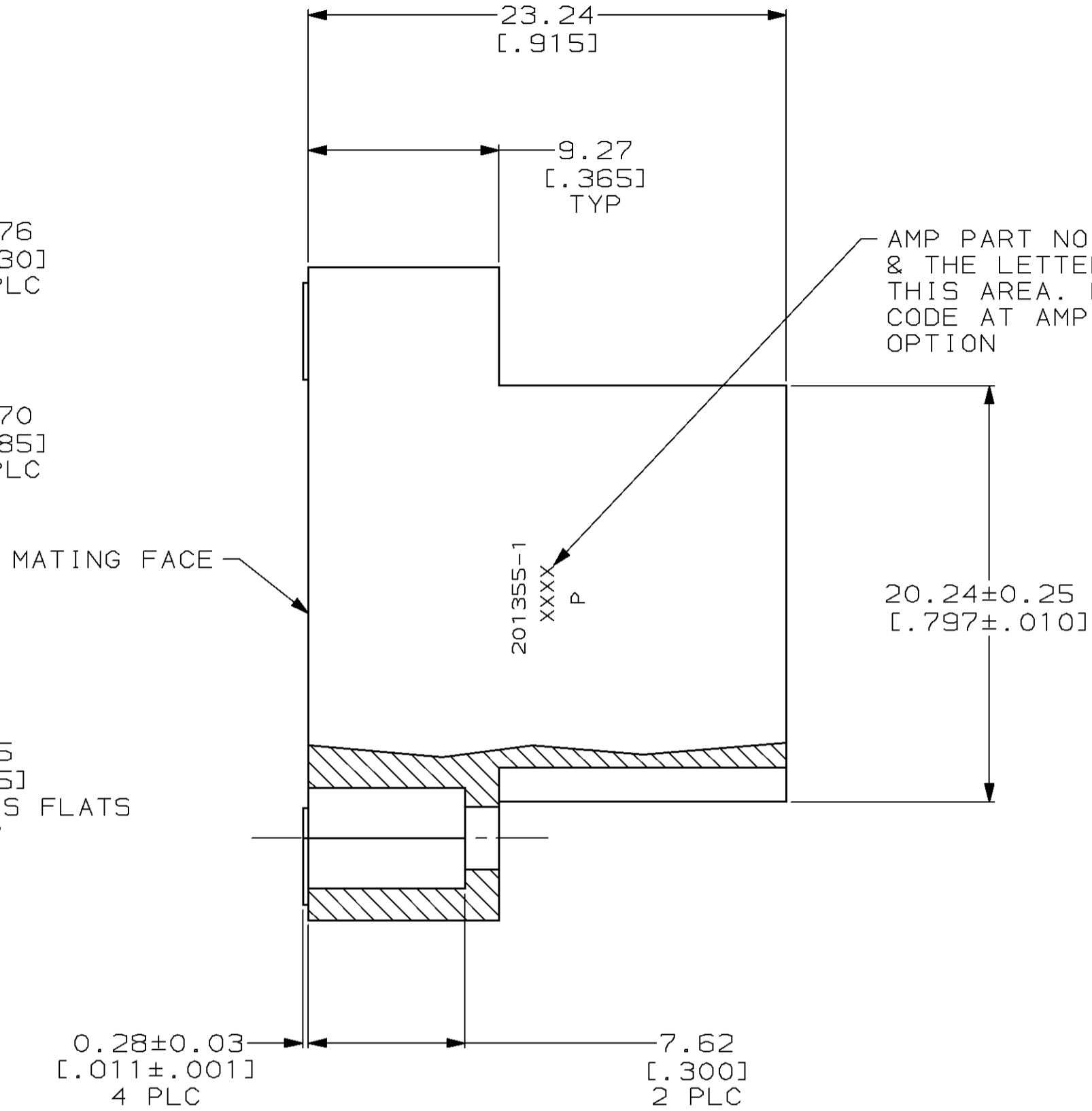
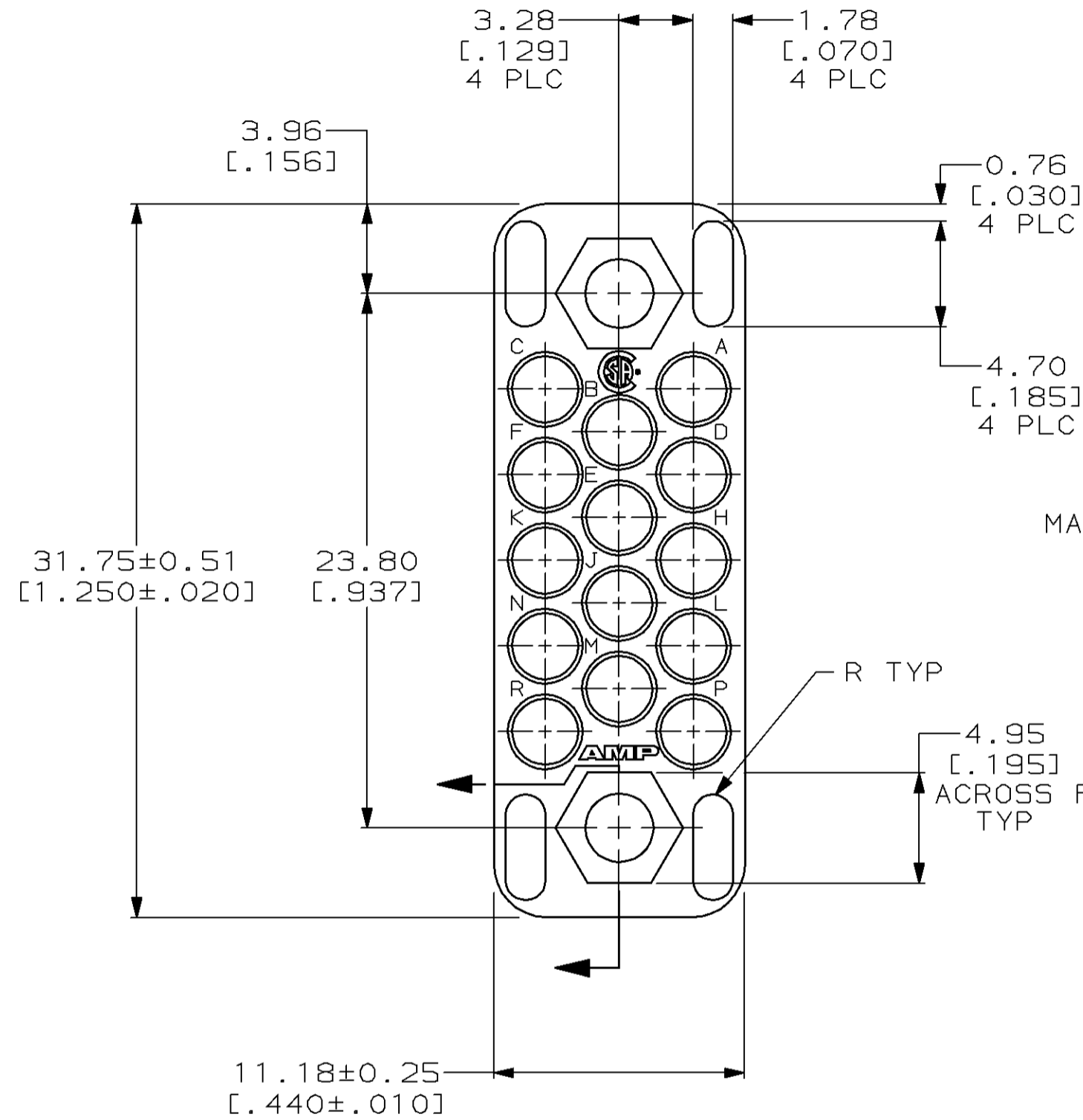


THIS DRAWING IS UNPUBLISHED. RELEASED FOR PUBLICATION  
 BY AMP INCORPORATED. ALL RIGHTS RESERVED.

Loc		DIST		REVISIONS			
P	LTR	DESCRIPTION	DATE	DWN	APVD		
		REDRAWN W/O CHANGE PER EC	15 MAR 96	-	-		
	N	0020-1345-95					
	P	REV PER EC 0320-82-97	14 AUG 97	BC	GS		



- 1. PHENOLIC PER MIL-M-14, TYPE CFG, BLACK.
- 2. MATES WITH BLOCK 201298 & ACCOMODATES TYPE II, TYPE III+ OR TYPE VI #16 PIN OR SOCKET CONTACTS.

201355-1  
 PART NUMBER

THIS DRAWING IS A CONTROLLED DOCUMENT.		DWN C. OBERMAN 15 MAR 96	AMP Incorporated Harrisburg, PA 17105-3608
		CHK R. STONE 19 MAR 96	
DIMENSIONS: mm [INCHES]		APVD G. STEINHAUER 11 APR 96	NAME BLOCK, MALE, 14 POSITION, MINIATURE RECTANGULAR, M SERIES
TOLERANCES UNLESS OTHERWISE SPECIFIED:		PRODUCT SPEC	SIZE A2
0 PLC ±		APPLICATION SPEC	CAGE CODE 00779
1 PLC ±			DRAWING NO 201355
2 PLC ±0.13 [.005]			SCALE 4:1
3 PLC ±			SHEET 1 OF 1
4 PLC ±			REV P
ANGLES ±			
FINISH -			
MATERIAL △		CUSTOMER DRAWING	