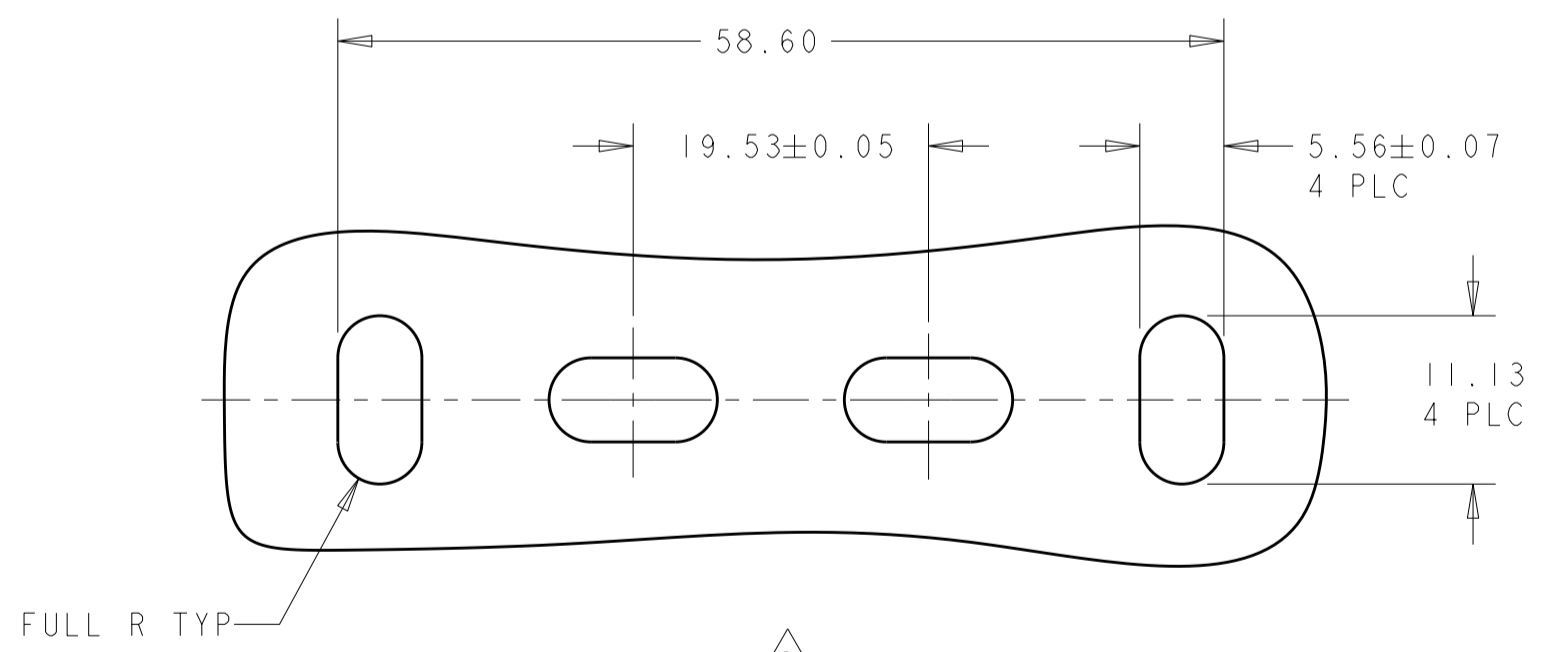
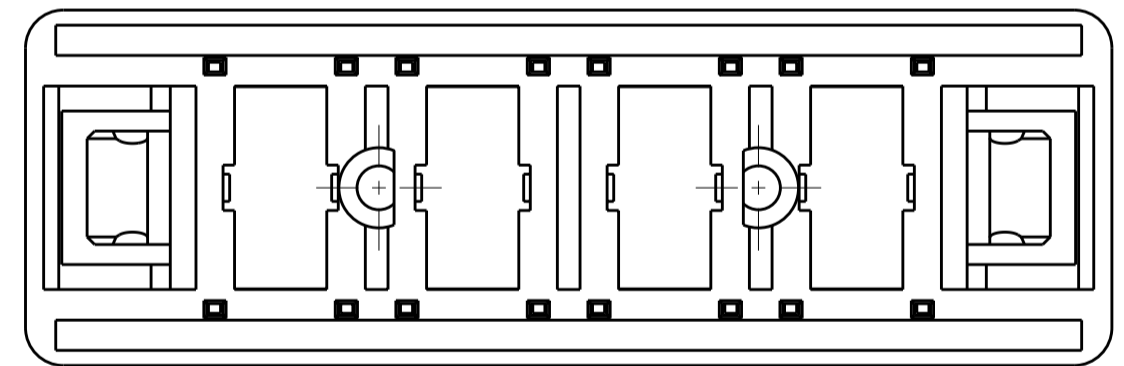
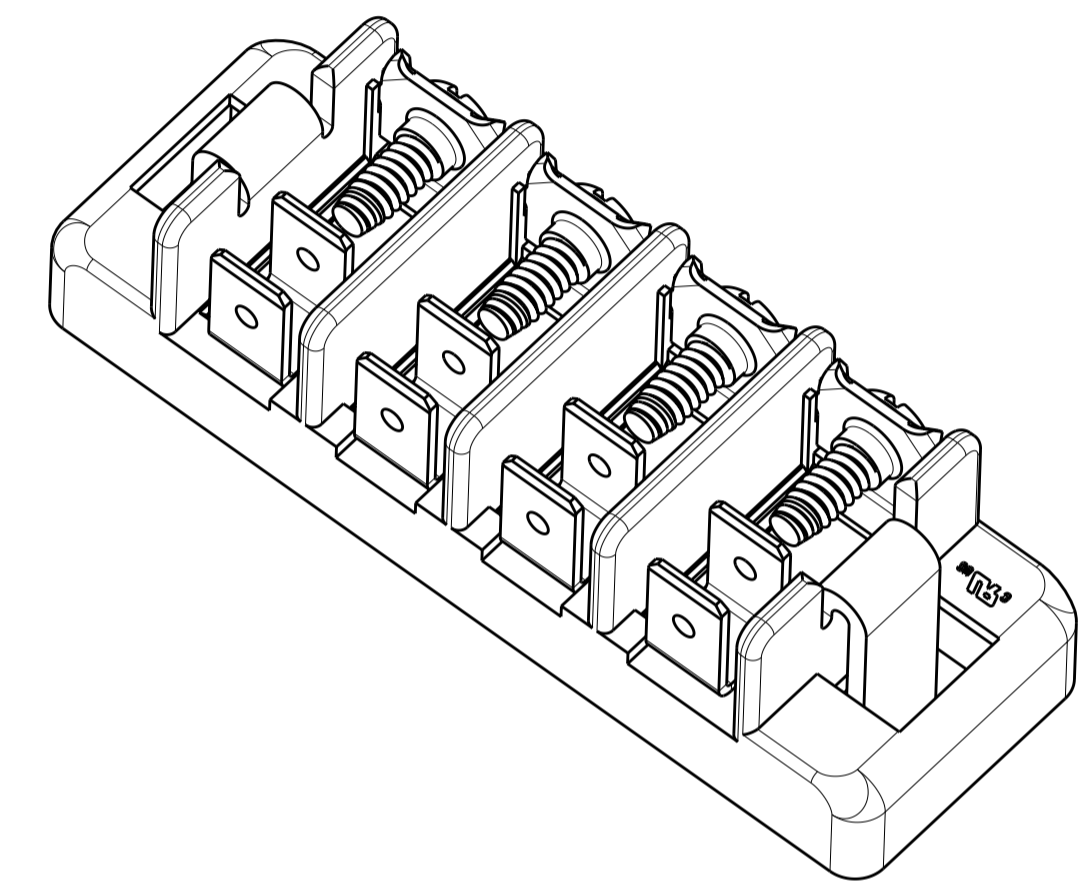
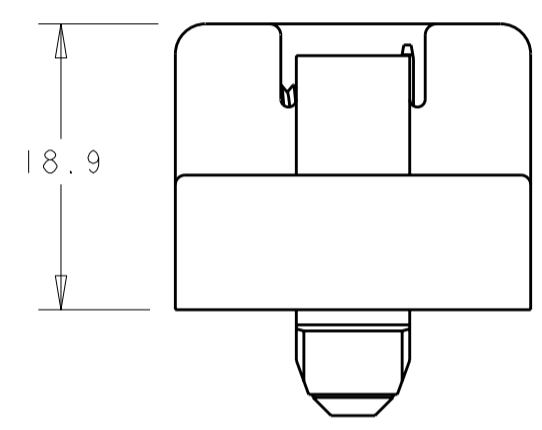
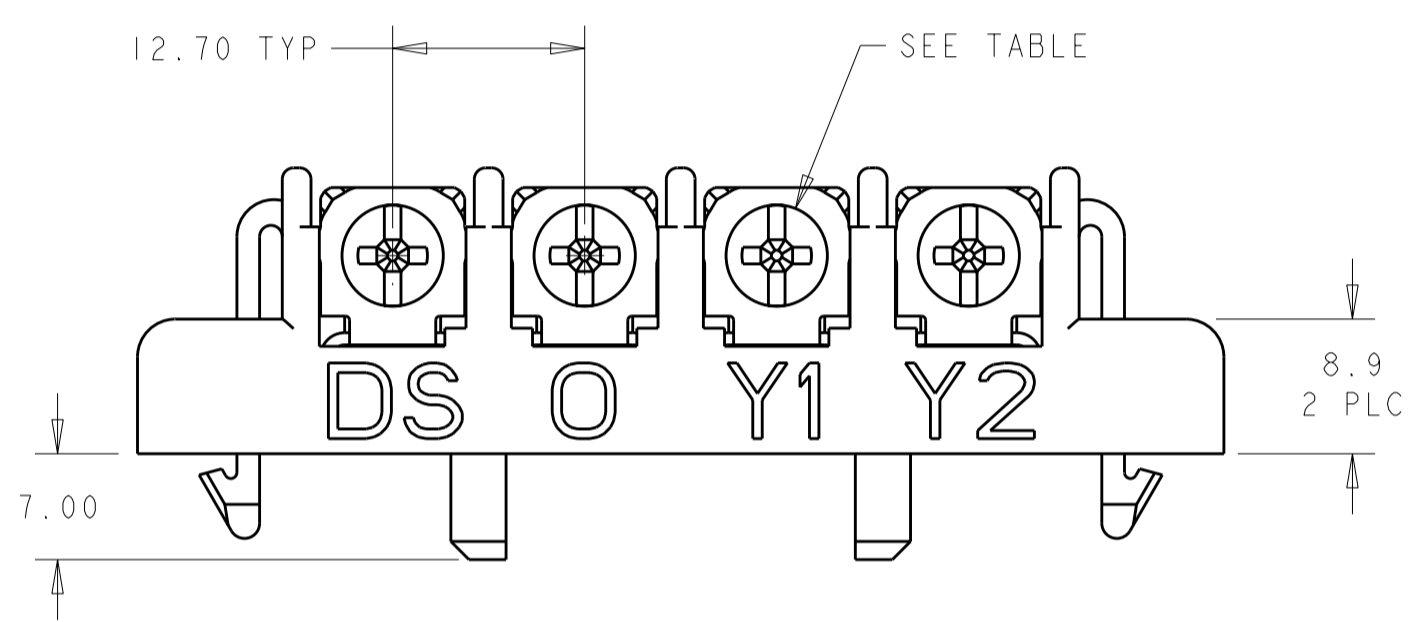
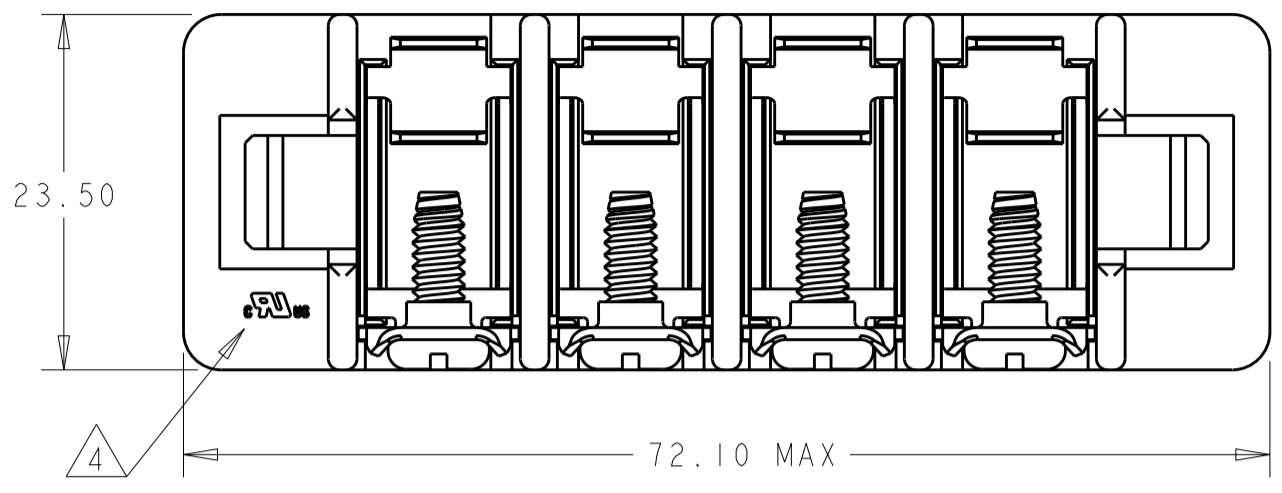


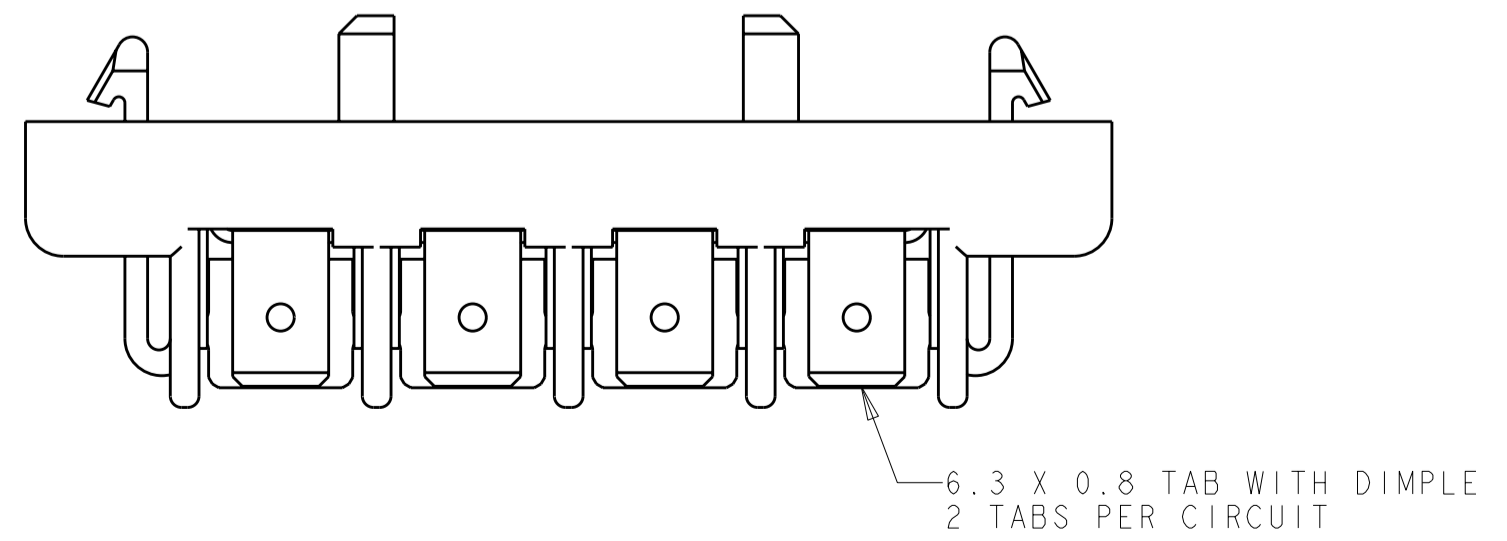
THIS DRAWING IS UNPUBLISHED. RELEASED FOR PUBLICATION 20
 © COPYRIGHT 20 BY TYCO ELECTRONICS CORPORATION. ALL RIGHTS RESERVED.

LOC		DIST		REVISIONS			
P	LTR	DESCRIPTION	DATE	DWN	APVD		
	A2	REVISED PER ECO-10-011897	09JUN2010	HMR	CR		

- 1 MATERIAL AND FINISH:
HOUSING: HIGH TEMP NYLON, COLOR: BLACK
CONTACT: BRASS
SCREW: STEEL, ZINC PLATED
- 2 RECOMMENDED TIGHTENING TORQUE: 12 IN-LB
- 3 PANEL BURR SIDE TO BE OPPOSITE OF CONNECTOR MOUNTING SURFACE.
- 4 UL AND CSA APPROVED, FILE E60677.
- 5 RECOMMENDED TIGHTENING TORQUE 20 IN-LB MAX.
- 6 PRELIMINARY PART



3 RECOMMENDED PANEL CUT-OUT
 PANEL THICKNESS: 0.86-1.06



5	8-32	6	1-1811494-4
2	6-32		1811494-4
SCREW TYPE		PART NUMBER	

THIS DRAWING IS A CONTROLLED DOCUMENT FOR TYCO ELECTRONICS CORPORATION. IT IS SUBJECT TO CHANGE AND THE CONTROLLING ENGINEERING ORGANIZATION SHOULD BE CONTACTED FOR THE LATEST REVISION.		DWN	S. SCHLEGEL	5/16/07	Tyco Electronics Harrisburg, PA 17105-3608
DIMENSIONS:		CHK	S. YODER	5/16/07	
TOLERANCES UNLESS OTHERWISE SPECIFIED:		APVD	S. YODER	5/16/07	
0 PLC ±- 1 PLC ±0.2 2 PLC ±0.15 3 PLC ±- 4 PLC ±- ANGLES ±5° FINISH		PRODUCT SPEC		NAME	
MATERIAL	1 -	CUSTOMER DRAWING		APPLICATION SPEC	TERMINAL STRIP 4 POSITION
		WEIGHT	-		SIZE
		SCALE 2:1		SHEET 1 OF 1	RESTRICTED TO
		REV A2		CAGE CODE	
		A200779		DRAWING NO	
		1811494		-	