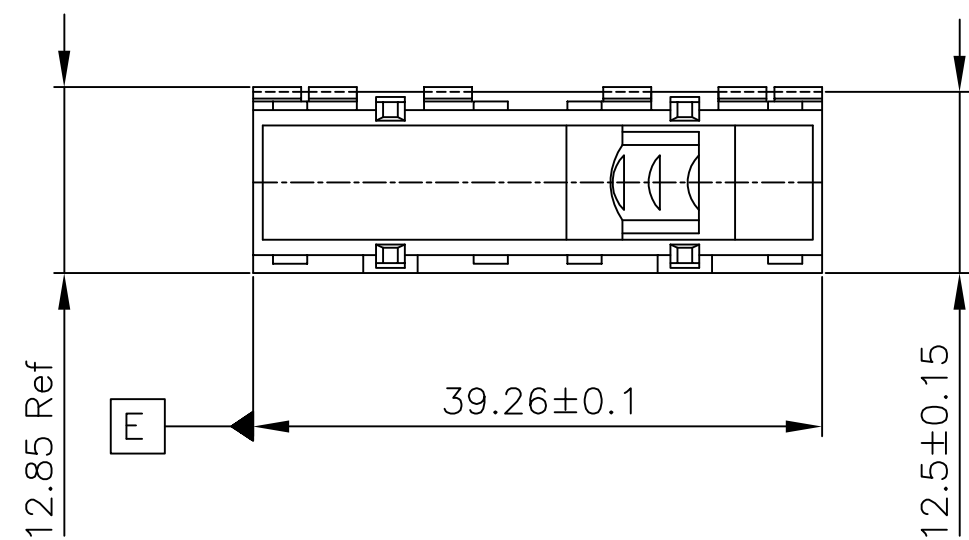
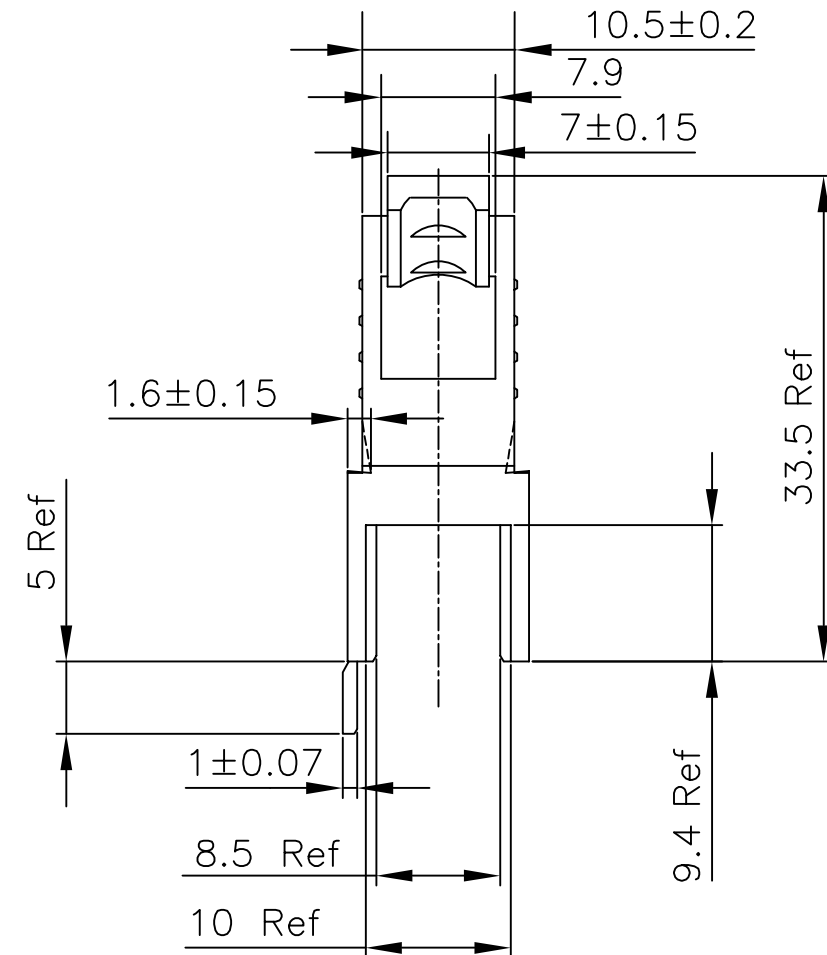
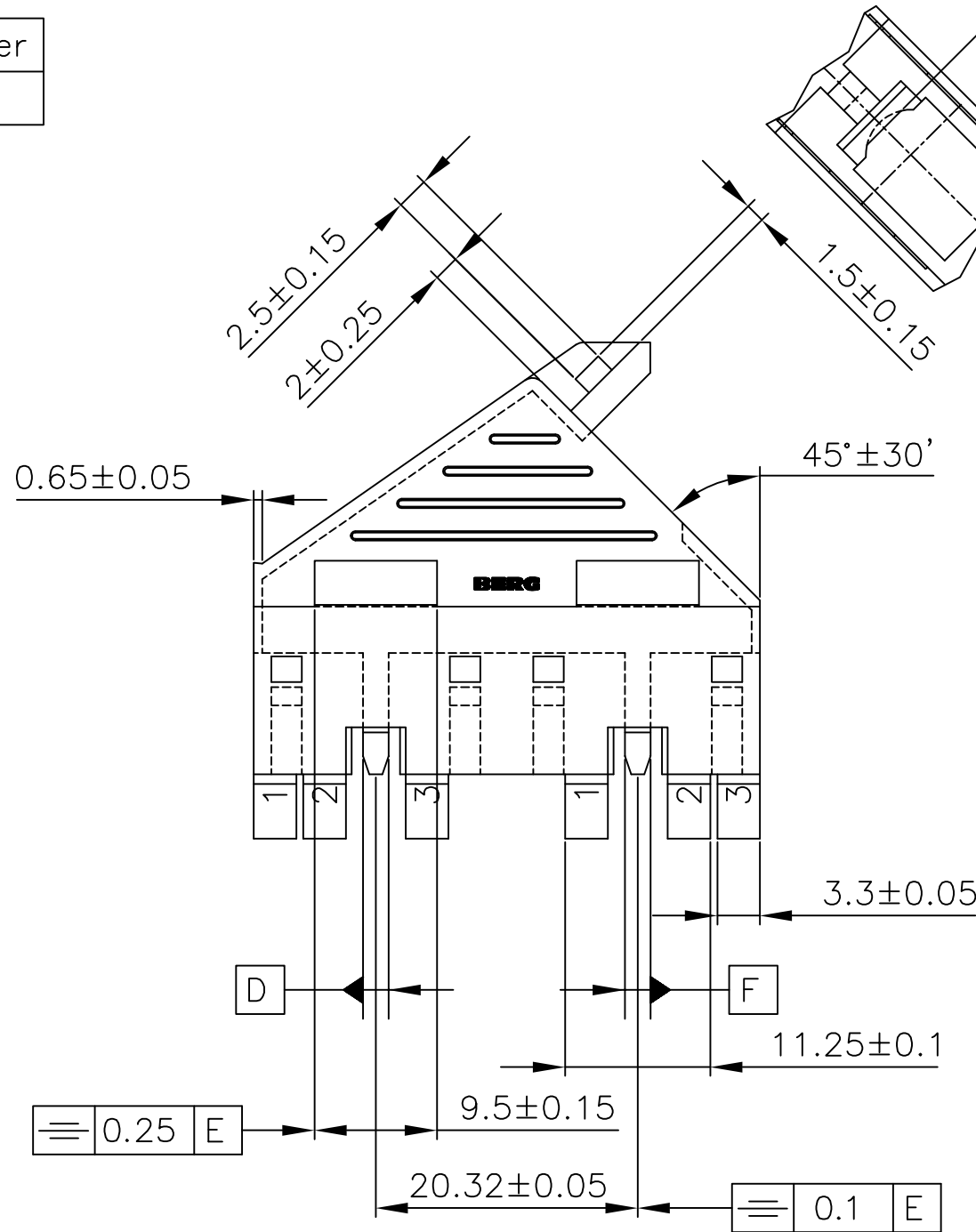


Product number
65200-001

Material: Thermoplastic polyester, 30% Glassfilled
Colour: Black; UL-94-V0



NOTES:-

1. THIS PRODUCT MEETS EUROPEAN UNION DIRECTIVES AND OTHER COUNTRY REGULATIONS AS DESCRIBED IN GS-22-008.
2. LEADFREE OR RoHS DIRECTIVE LABELLING TO BE PROVIDED AS PER GS-14-920.
3. " LF " SUFFIX TO PRODUCT NUMBER FOR RoHS COMPATIBLE/ LEADFREE VERSION.
4. PARTS WITH AND WITHOUT "LF" SUFFIX ARE FORM-FIT AND FUNCTIONALLY IDENTICAL. " LF " SUFFIX PROVIDED FOR PART NUMBER STANDARDISATION OF PART THAT MEETS RoHS REQUIREMENTS.

mat'l. code		surface		tolerance		projection		product family			
See note		ISO 1302		ISO 406		ISO 1101		Backpanel			
ltr	ecn no	dr	date	tolerances unless otherwise specified		mm		title			
B	BNL4180	LNA	821119	angles	linear	mm		2x3x7 pos..			
C	H40359	AO	940530			mm		COVER			
D	H40431	DDB	940705			scale 2:1					
E	H40762	DDB	941128	dr	Oppers.A	940530		dwg no			
F	H40711	RVI	950206	engr	Loman.M	940530		sheet 1 of 1			
G	05-0123	MINI	05.07.27	chr	Rakhee George	05.11.22		size			
H	05-0248	MINI	05.11.22	app	Rakhee George	05.11.22		A3			
sheet index		revision	H							type	
sheet		sheet	1							CUSTOMER Drawing	