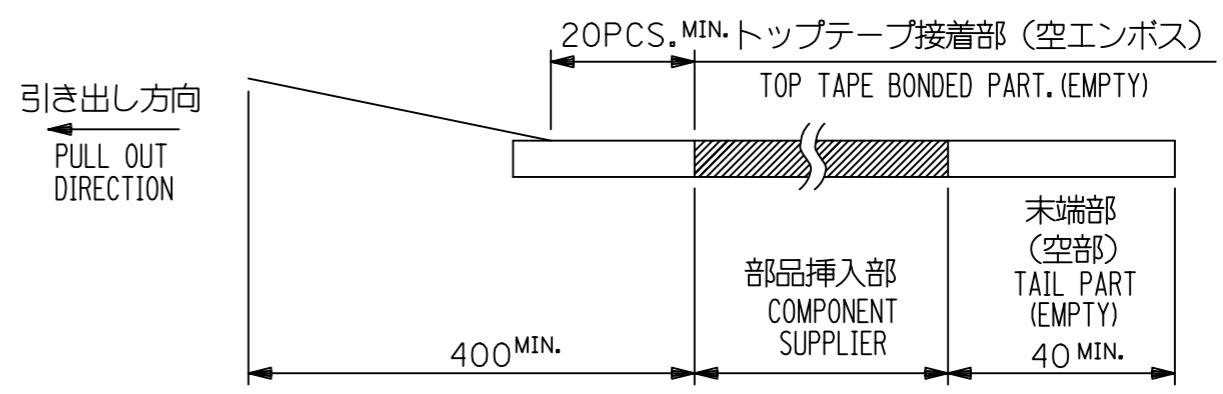


NOTE

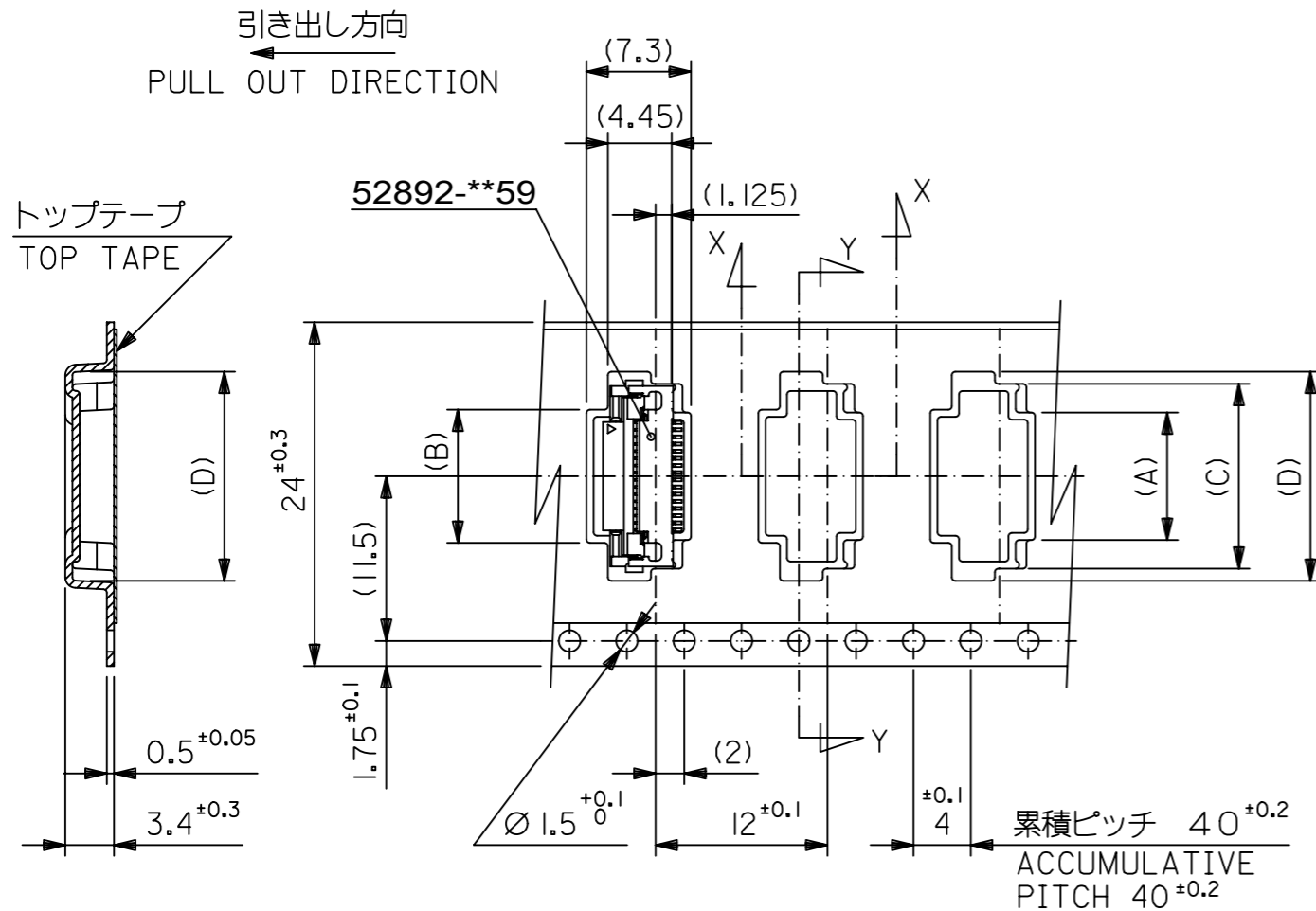
- 製品詳細寸法については図面 528921001 PSD 000 を参照下さい。
RE DETAILED DIMENSION, SEE DOC. NO. 528921001 PSD 000.
- 梱包数量：1000個/リール
NUMBER OF CONNECTORS：1000 PCS/REEL
- リードテープ長さ LEAD TAPE LENGTH



- トップテープの剥離強度：IEC60286-3.
PEELING OFF FORTH OF TOP TAPE：REFER TO IEC60286-3.
- 材料 MATERIAL
 キャリアテープ：ポリプロピレン
 トップテープ：PET, PE, PEF
 リール：ポリスチレン (PS) <リサイクル材を含む>
 CARRIER TAPE：POLYPROPYLENE
 TOP TAPE：PET, PE, PEF
 REEL：POLYSTYRENE (PS) <RECYCLE MATERIAL CONTAINED>
- 本製品は52892-**95の金めっき品である。
THIS PRODUCT IS GOLD PLATING OF 52892-**95.

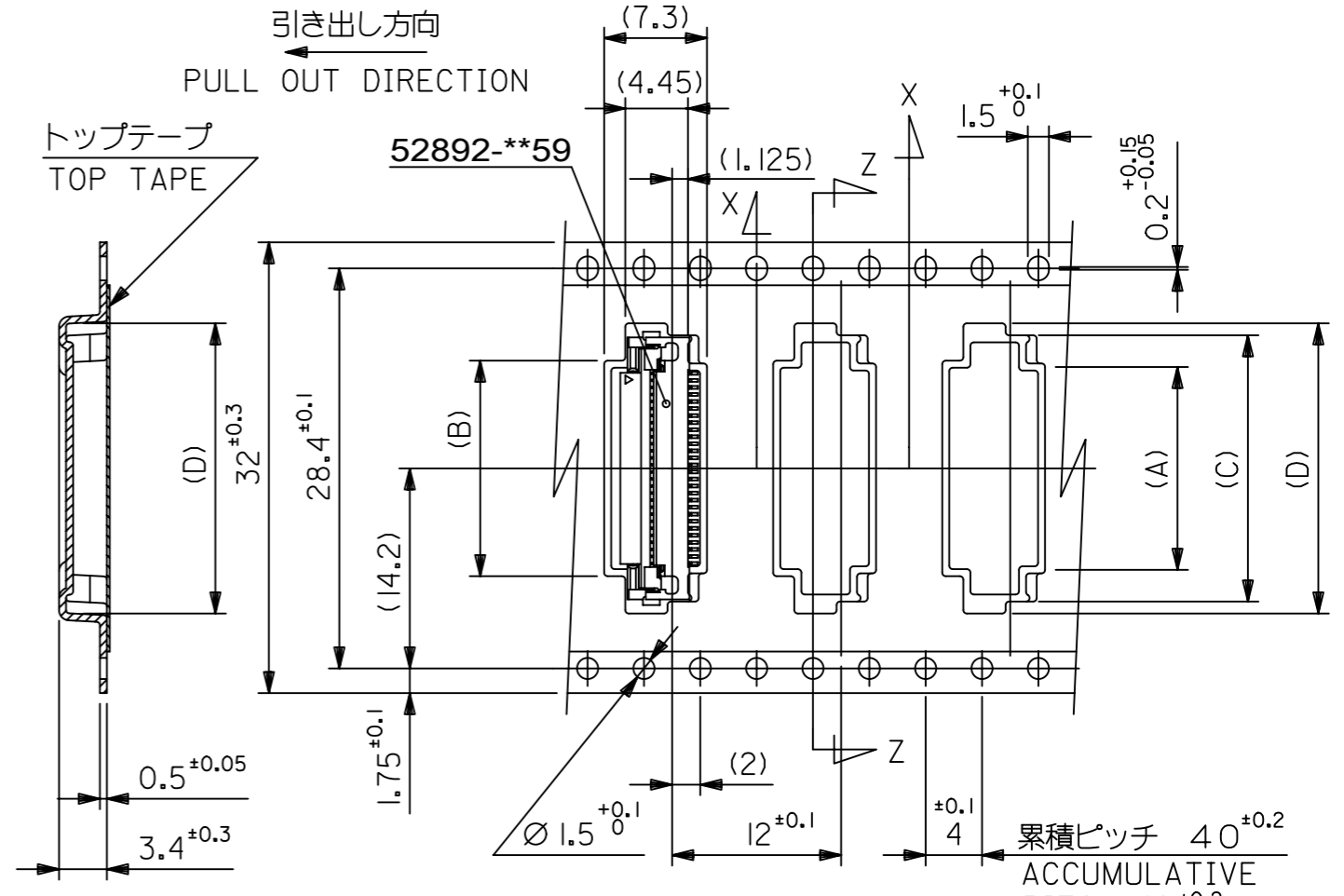
MODEL NO. 52892-**96

THIS DRAWING CONTAINS INFORMATION THAT IS PROPRIETARY TO MOLEX ELECTRONIC TECHNOLOGIES, LLC AND SHOULD NOT BE USED WITHOUT WRITTEN PERMISSION										
DIMENSION UNITS	SCALE	CURRENT REV DESC: REMOVED OBSOLETE PART NUMBER AS PER PCN#511695.								
mm	---	<div style="text-align: center;">molex</div> <p>0.5 FFC/FPC ZIF SMT HSGASSY EMBSTPPKG</p> <p>PRODUCT CUSTOMER DRAWING</p>								
GENERAL TOLERANCES (UNLESS SPECIFIED)										
ANGULAR TOL	± °									
4 PLACES	±									
3 PLACES	±									
2 PLACES	±									
1 PLACE	±	EC NO: 730178	DRWN: SANTHN	2022/11/29	DOCUMENT NUMBER 528920001					
0 PLACES	±	CHK'D: GGA	2023/01/04	APPR: GGA						2023/01/04
INITIAL REVISION:		DRWN: YMIZUNO02	2016/12/14	APPR: TKUSUHARA01						2016/12/20
DRAFT WHERE APPLICABLE MUST REMAIN WITHIN DIMENSIONS		THIRD ANGLE PROJECTION	DRAWING	SERIES	MATERIAL NUMBER	CUSTOMER	DOC TYPE	DOC PART	REVISION	
			A3-SIZE	52892	SEE CHART	GENERAL	PSD	000	A1	
									SHEET NUMBER 1 OF 2	



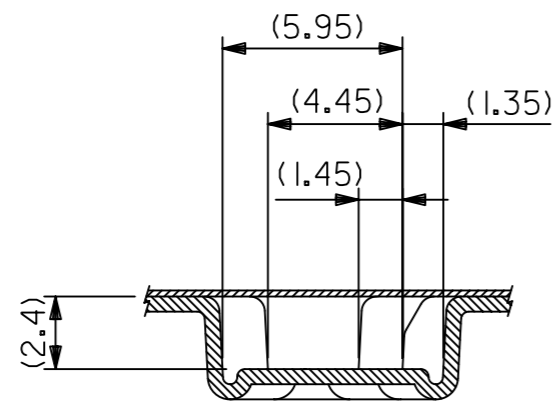
SECT : Y-Y

24mm幅キャリアテープ
24mm WIDTH CARRIER TAPE



SECT : Z-Z

32mm幅キャリアテープ
32mm WIDTH CARRIER TAPE



SECT : X-X

32	37.4	33.4	18.6	16.9	13.1	12.9	52892-2459	52892-2496	24
24	29.4	25.4	16.6	14.9	11.1	10.9	52892-2059	52892-2096	20
			14.6	12.9	9.1	8.9	52892-1659	52892-1696	16
			11.6	9.9	6.1	5.9	52892-1059	52892-1096	10
			10.6	8.9	5.1	4.9	52892-0859	52892-0896	8
キャリアテープ幅 CARRIER TAPE WIDTH	F	E	(D)	(C)	(B)	(A)	CONNECTOR	MATERIAL NO. MODEL NO. 52892-**-96	CKT

THIS DRAWING CONTAINS INFORMATION THAT IS PROPRIETARY TO MOLEX ELECTRONIC TECHNOLOGIES, LLC AND SHOULD NOT BE USED WITHOUT WRITTEN PERMISSION

DIMENSION UNITS: mm SCALE: ---

GENERAL TOLERANCES (UNLESS SPECIFIED):

ANGULAR TOL: ± °

4 PLACES: ±

3 PLACES: ±

2 PLACES: ±

1 PLACE: ±

0 PLACES: ±

DRAFT WHERE APPLICABLE MUST REMAIN WITHIN DIMENSIONS

THIRD ANGLE PROJECTION

DRAWING: A3-SIZE

SERIES: 52892

MATERIAL NUMBER: SEE CHART

CUSTOMER: GENERAL

SHEET NUMBER: 2 OF 2

EC NO: 730178
DRWN: SANTHN
CHK'D: GGA
APPR: GGA

INITIAL REVISION:
DRWN: YMIZUNO02
APPR: TKUSUHARA01

2022/11/29
2023/01/04
2023/01/04

2016/12/14
2016/12/20

DOCUMENT NUMBER: 528920001

DOC TYPE: PSD

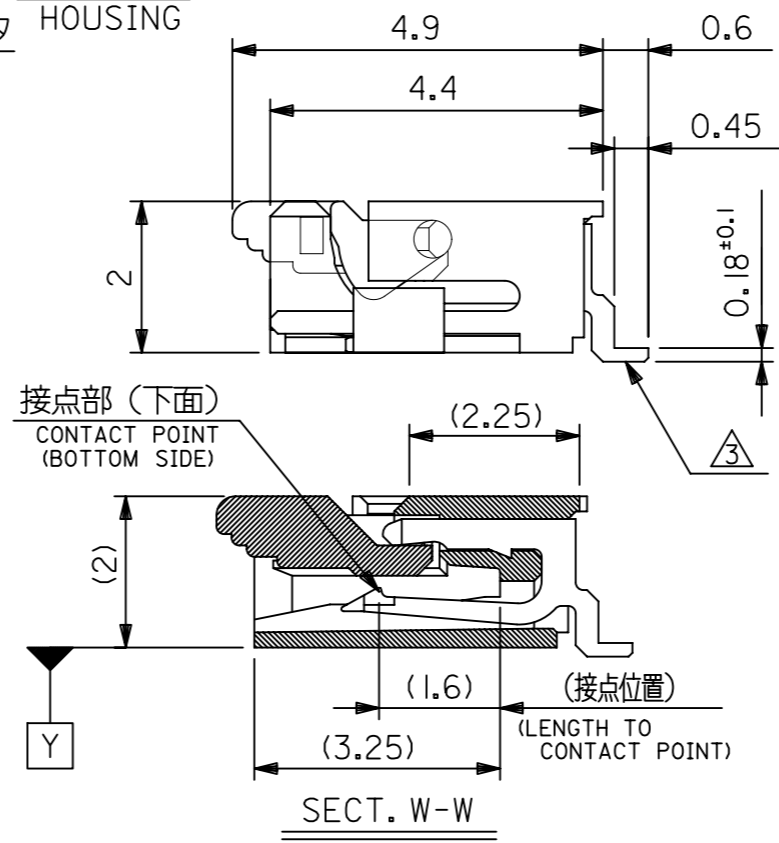
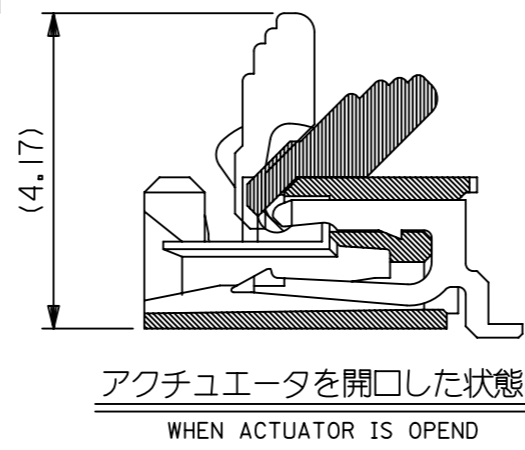
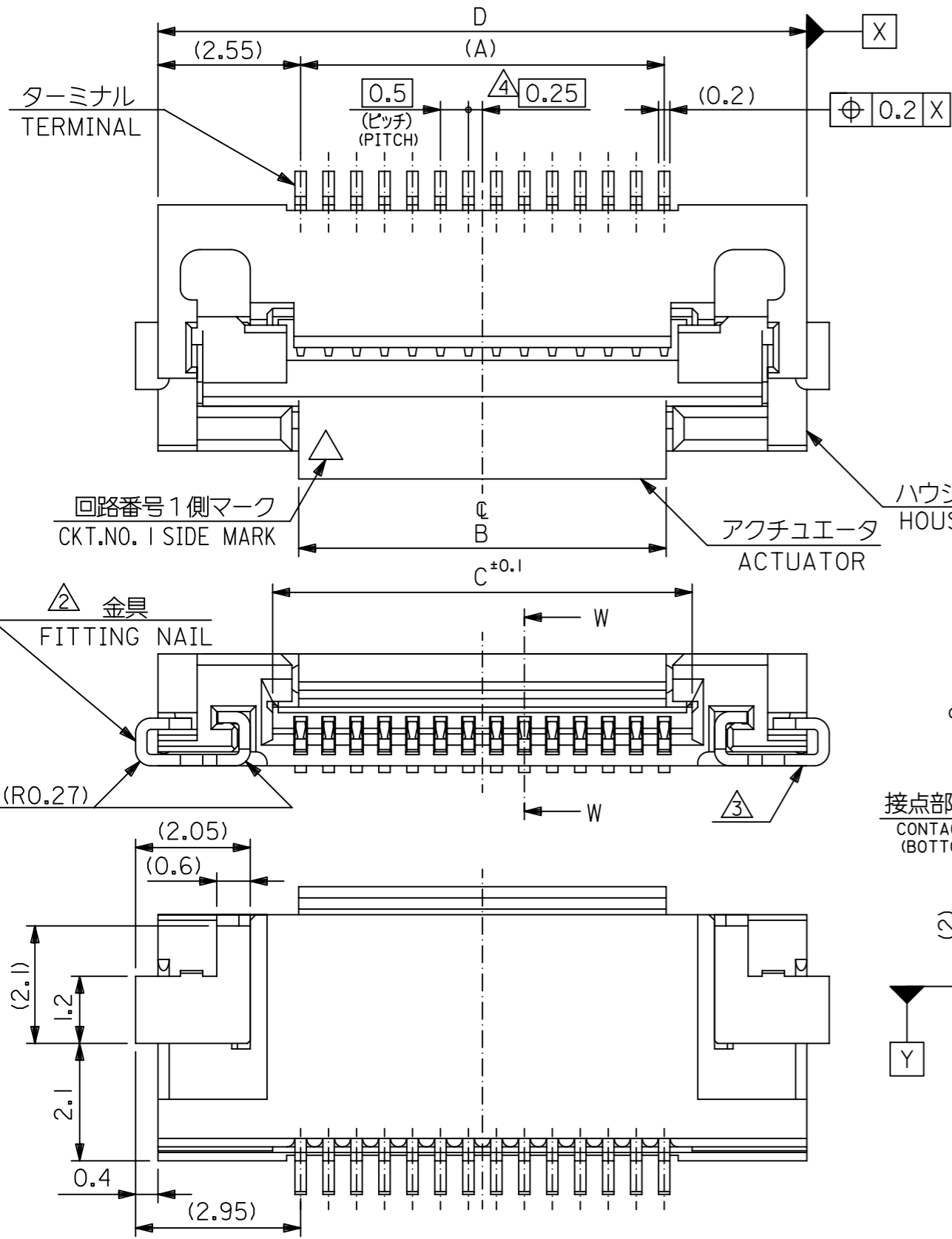
DOC PART: 000

REVISION: A1

molex

0.5 FFC/FPC ZIF SMT HSGASSY EMBSTPPKG

PRODUCT CUSTOMER DRAWING



注記 NOTES

- 1.材質 MATERIAL
 ハウジング : 46ナイロン、ガラス充填、UL94V-0、ナチュラル(白色)
 HOUSING : 46NYLON, GLASS FILLED, UL94V-0, NATURAL(WHITE)
 アクチュエータ : PPS、ナチュラル(茶色)、ガラス充填、UL94V-0
 ACTUATOR : PPS, NATURAL(BROWN), GLASS FILLED, UL94V-0
 ターミナル : リン青銅 (t=0.2)
 TERMINAL : PHOSPHOR BRONZE (t=0.2)
- めっき PLATING
 接点部 : 金めっき (0.1 μ m以上)
 テール部 : 金めっき (0.03 μ m以上)
 ニッケル下地 (1.5 μ m以上)
 CONTACT : GOLD PLATING (0.1 MICROMETER MINIMUM)
 TAIL : GOLD PLATING (0.03 MICROMETER MINIMUM)
 OVER NICKEL PLATING (1.5 MICROMETER MINIMUM)
- 金具 : リン青銅 (t=0.2)
 FITTING NAIL : PHOSPHOR BRONZE (t=0.2)
- めっき PLATING
 錫めっき (1.0 μ m以上)
 ニッケル下地 (1.0 μ m以上)
 CONTACT : GOLD PLATING (1.0 MICROMETER MINIMUM)
 OVER NICKEL PLATING (1.0 MICROMETER MINIMUM)
- △2 パターンはくり止め用金具
 FITTING NAIL FOR PREVENTION OF PEELING OF PCB PATTERN.
- △3 ソルダータール半田付け面のズレ量、及び金具半田付け面のズレ量は、
 基準面 Y に対し上方向0.05MAX.、下方向0.2MAX.とする。
 MISALIGNMENT OF SOLDER TAILS AND FITTING NAILS FROM Y
 UPPER DIRECTION : 0.05 MAX. , LOWER DIRECTION : 0.2 MAX.
- △4 偶数極に適用。
 APPLY FOR EVEN CIRCUIT.
- 5.テール及びネイルの平坦度は、0.1 MAX.
 TAIL AND NAIL COPLANARITY TO BE 0.1 MAX.
- 6.本製品は52892シリーズの金めっき品である。
 THIS PRODUCT IS GOLD PLATING OF 52892 SERIES.
- 7.ELV及びRoHS適合品。
 ELV AND RoHS COMPLIANT.

16.6	12.5	11.57	11.5	52892-2496	52892-2459	24
14.6	10.5	9.57	9.5	52892-2096	52892-2059	20
12.6	8.5	7.57	7.5	52892-1696	52892-1659	16
9.6	5.5	4.57	4.5	52892-1096	52892-1059	10
8.6	4.5	3.57	3.5	52892-0896	52892-0859	8
D	C	B	(A)	EMBOSSED TAPE	MATERIAL NO.	CKT
				ORDER NO.	MODEL NO. 52892-*	59

THIS DRAWING CONTAINS INFORMATION THAT IS PROPRIETARY TO MOLEX ELECTRONIC TECHNOLOGIES, LLC AND SHOULD NOT BE USED WITHOUT WRITTEN PERMISSION

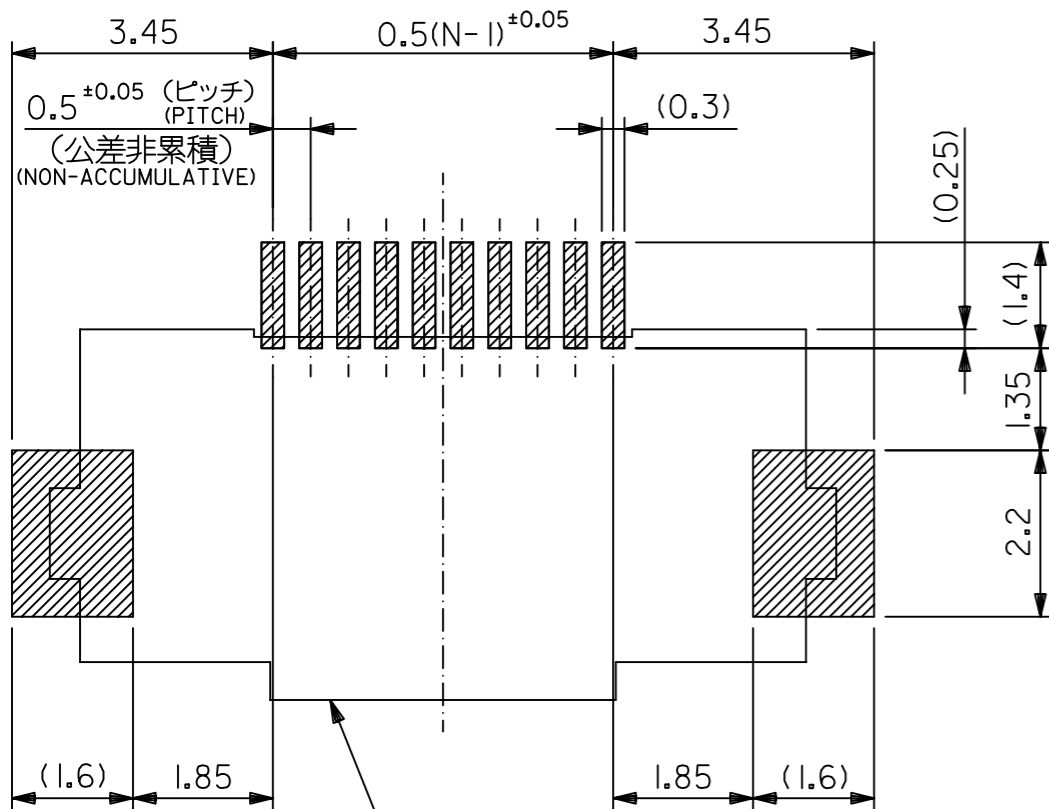
DIMENSION UNITS	SCALE	CURRENT REV DESC: REMOVED OBSOLETE PART NUMBER AS PER PCN#511695.	molex		
mm	---				
GENERAL TOLERANCES (UNLESS SPECIFIED)			0.5 FFC/FPC ZIF HSG ASSY		
ANGULAR TOL $\pm 3.0^\circ$			PRODUCT CUSTOMER DRAWING		
4 PLACES	± 0.2	EC NO: 730178	DOCUMENT NUMBER		
3 PLACES	± 0.2	DRWN: SANTHN	DOC TYPE DOC PART REVISION		
2 PLACES	± 0.2	CHK'D: GGA	528921001 PSD 000 A1		
1 PLACE	± 0.2	APPR: GGA			
0 PLACES	± 0.2	INITIAL REVISION:			
DRAFT WHERE APPLICABLE MUST REMAIN WITHIN DIMENSIONS			SHEET NUMBER		
THIRD ANGLE PROJECTION			1 OF 2		

GENERAL TOLERANCES (UNLESS SPECIFIED)

10 UNDER	± 0.2
10 OVER 30 UNDER	± 0.25
30 OVER	± 0.3

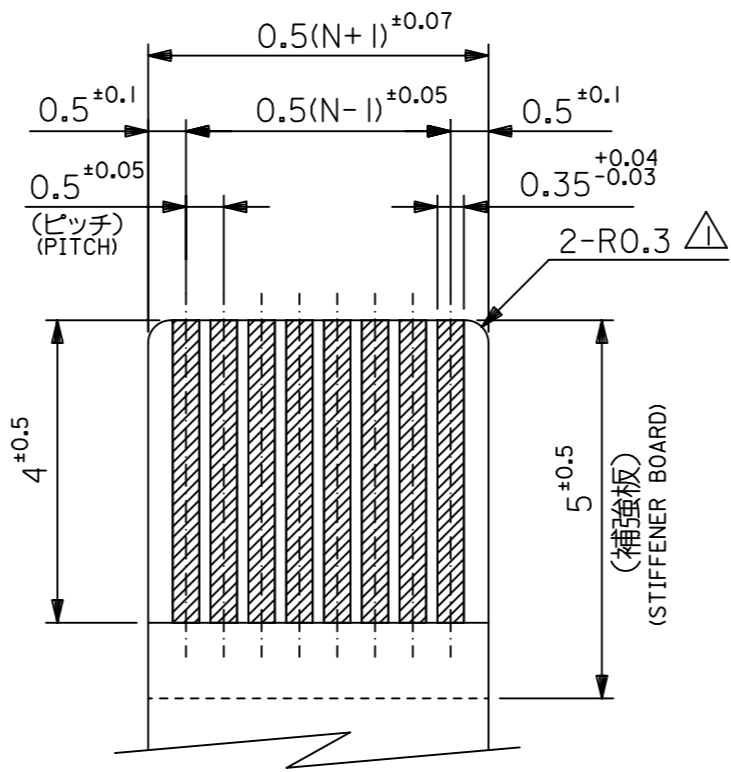
EC NO: 730178
 DRWN: YMIZUNO02
 APPR: TKUSUHARA01
 2022/11/29
 2023/01/04
 2016/12/14
 2016/12/20

DRAWING: A3-SIZE
 SERIES: 52892
 MATERIAL NUMBER: SEE CHART
 CUSTOMER: GENERAL

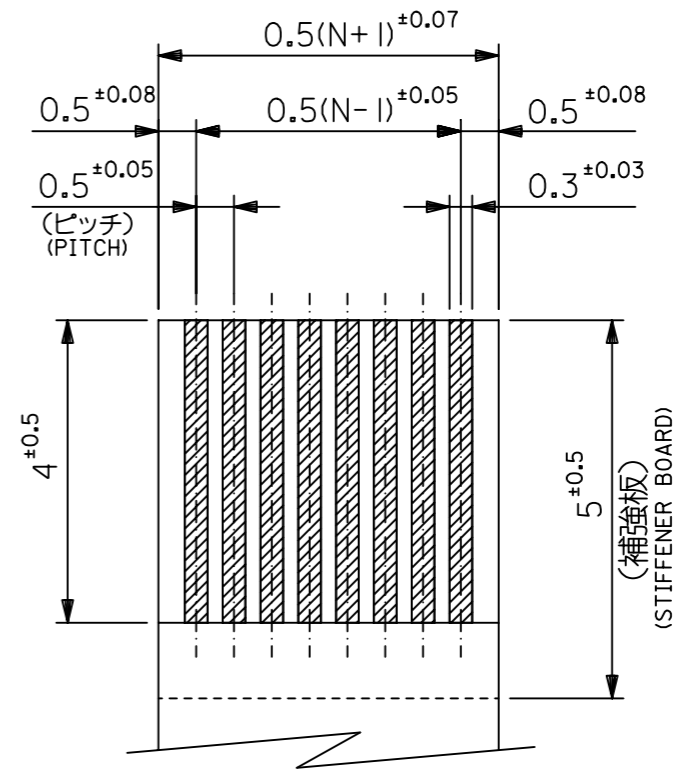


コネクタ位置
CONNECTOR POSITION

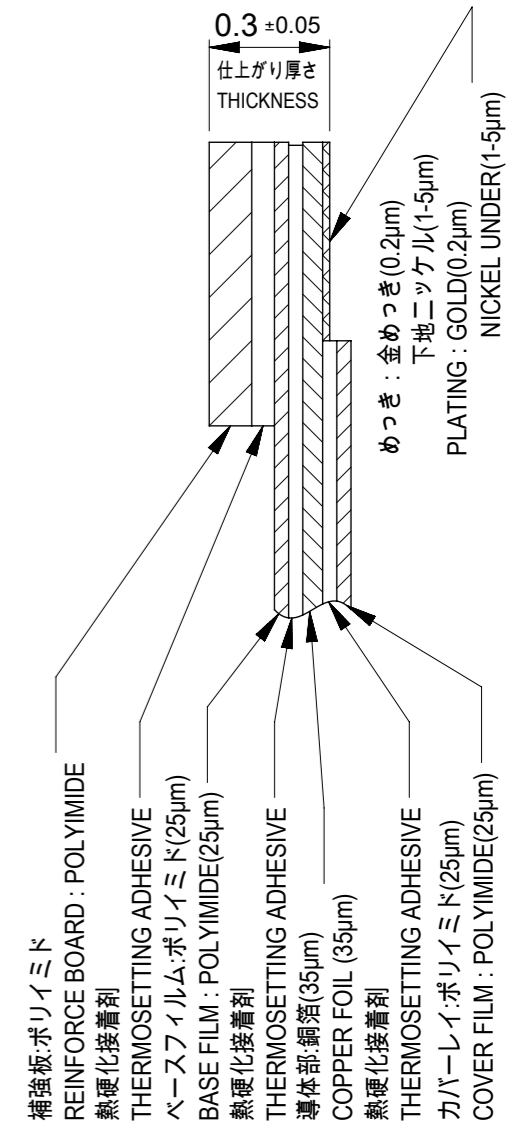
参考基板レイアウト
RECOMMENDED P.C.BOARD
PATTERN DIMENSION (REF.)
(マウント面)
(MOUNTING SIDE)



適合FPC推奨寸法
APPLICABLE FPC
RECOMMENDED DIMENSION
(仕上がり厚さ: 0.3 ±0.05)
(THICKNESS: 0.3 ±0.05)



適合FFC推奨寸法
APPLICABLE FFC
RECOMMENDED DIMENSION
(仕上がり厚さ: 0.3 ±0.05)
(THICKNESS: 0.3 ±0.05)



FPC構成推奨仕様
STRUCTURE OF FPC

注記 NOTES

- 1. R0.3はFPCの導体部にかからないこと。
R0.3 MUST NOT BE OVERLAPPED TO PATTERN OF FPC.
- 2. FPCについて ABOUT FPC :
打ち抜き方向は導体側から補強板側を推奨します。
導体部については軟箔銅35µmまたは50µmを推奨します。
補強フィルム材質はポリイミドを推奨します。ベースフィルムは25µmを推奨します。
接着剤は熱硬化接着剤を推奨します。
尚、接着剤の接点部への付着は導通不良の原因になりますので、染み出しが無い様、お願い致します。
RECOMMENDED PUNCHING DIRECTION : FROM CONDUCTOR SIDE TO STIFFENER SIDE
RECOMMENDED CONDUCTOR SPEC : SOFT COPPER FOIL
RECOMMENDED CONDUCTOR THICKNESS : 35 MICROMETER OR 50 MICROMETER
RECOMMENDED STIFFENER MATERIAL : POLYIMIDE
RECOMMENDED BASE FILM THICKNESS : 25 MICROMETER
RECOMMENDED ADHESIVE : THERMOSETTING ADHESIVE
NOTE : PLEASE PUT APPROPRIATE AMOUNT OF ADHESIVE ON ADHEREND BECAUSE THERE IS A POSSIBILITY THAT THE EXTRA ADHESIVE CAUSES THE DEFECT IN ELECTRICAL CONTINUITY.

THIS DRAWING CONTAINS INFORMATION THAT IS PROPRIETARY TO MOLEX ELECTRONIC TECHNOLOGIES, LLC AND SHOULD NOT BE USED WITHOUT WRITTEN PERMISSION

DIMENSION UNITS	SCALE	CURRENT REV DESC: REMOVED OBSOLETE PART NUMBER AS PER PCN#511695.	molex		
mm	---				
GENERAL TOLERANCES (UNLESS SPECIFIED)			0.5 FFC/FPC ZIF HSG ASSY		
ANGULAR TOL ± 3.0°			PRODUCT CUSTOMER DRAWING		
4 PLACES ± 0.2			DOCUMENT NUMBER		
3 PLACES ± 0.2			528921001		
2 PLACES ± 0.2			DOC TYPE DOC PART REVISION		
1 PLACE ± 0.2			PSD 000 A1		
0 PLACES ± 0.2			SHEET NUMBER		
DRAFT WHERE APPLICABLE MUST REMAIN WITHIN DIMENSIONS			THIRD ANGLE PROJECTION	DRAWING	SERIES
			⊕	A3-SIZE	52892
MATERIAL NUMBER			CUSTOMER		
SEE CHART			GENERAL		

GENERAL TOLERANCES (UNLESS SPECIFIED)		
10 UNDER	±0.2	
10 OVER 30 UNDER	±0.25	
30 OVER	±0.3	