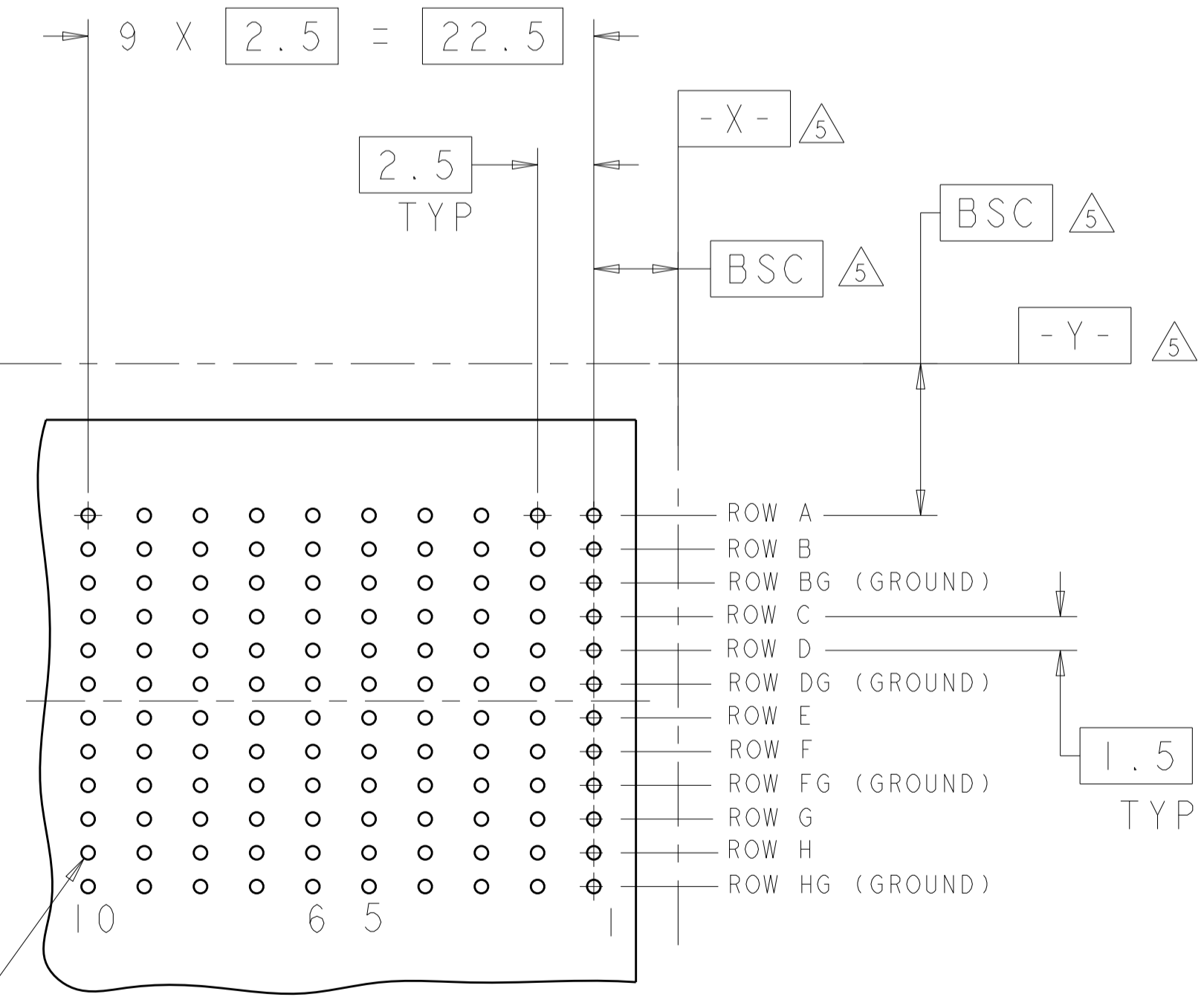
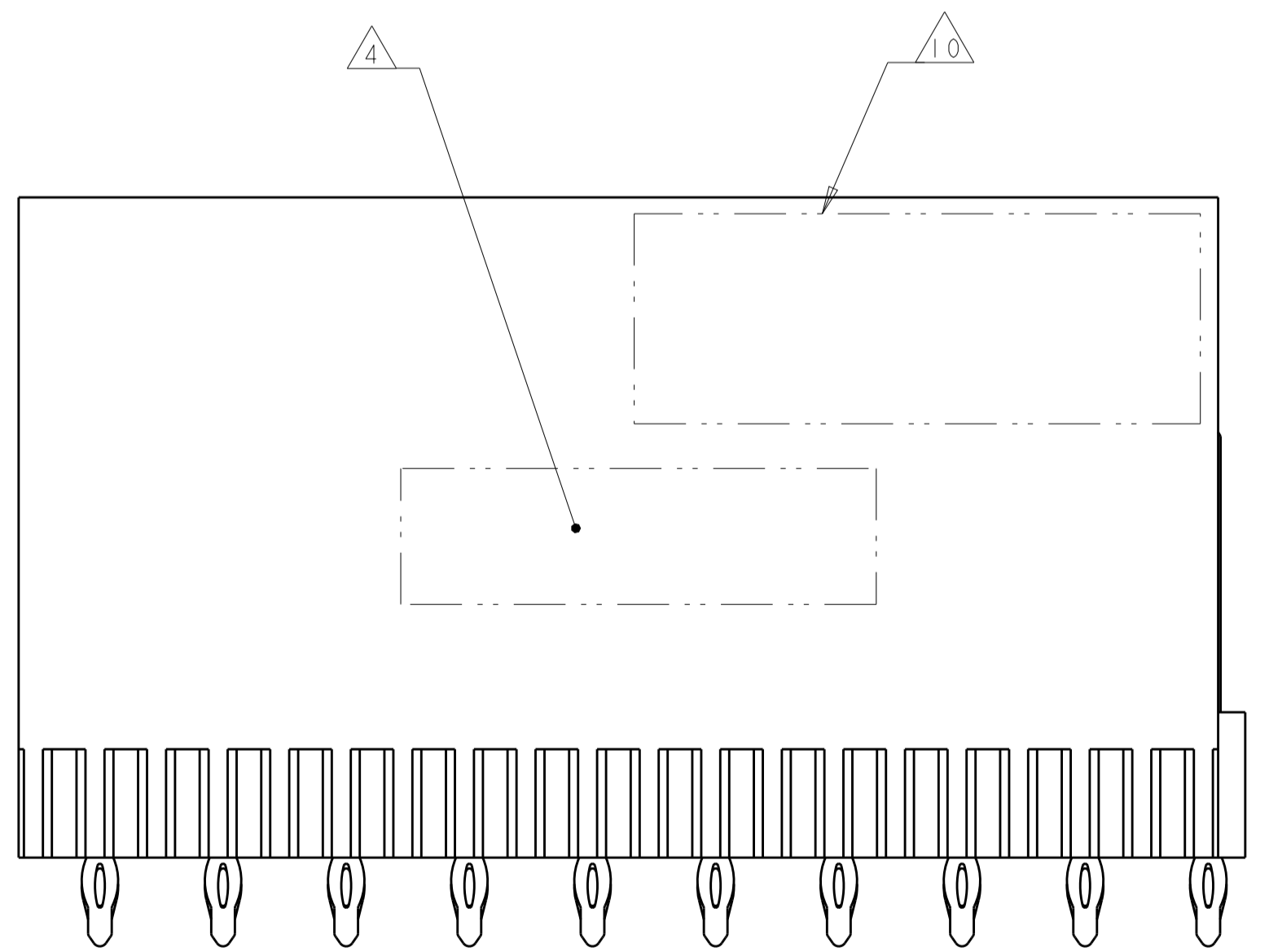
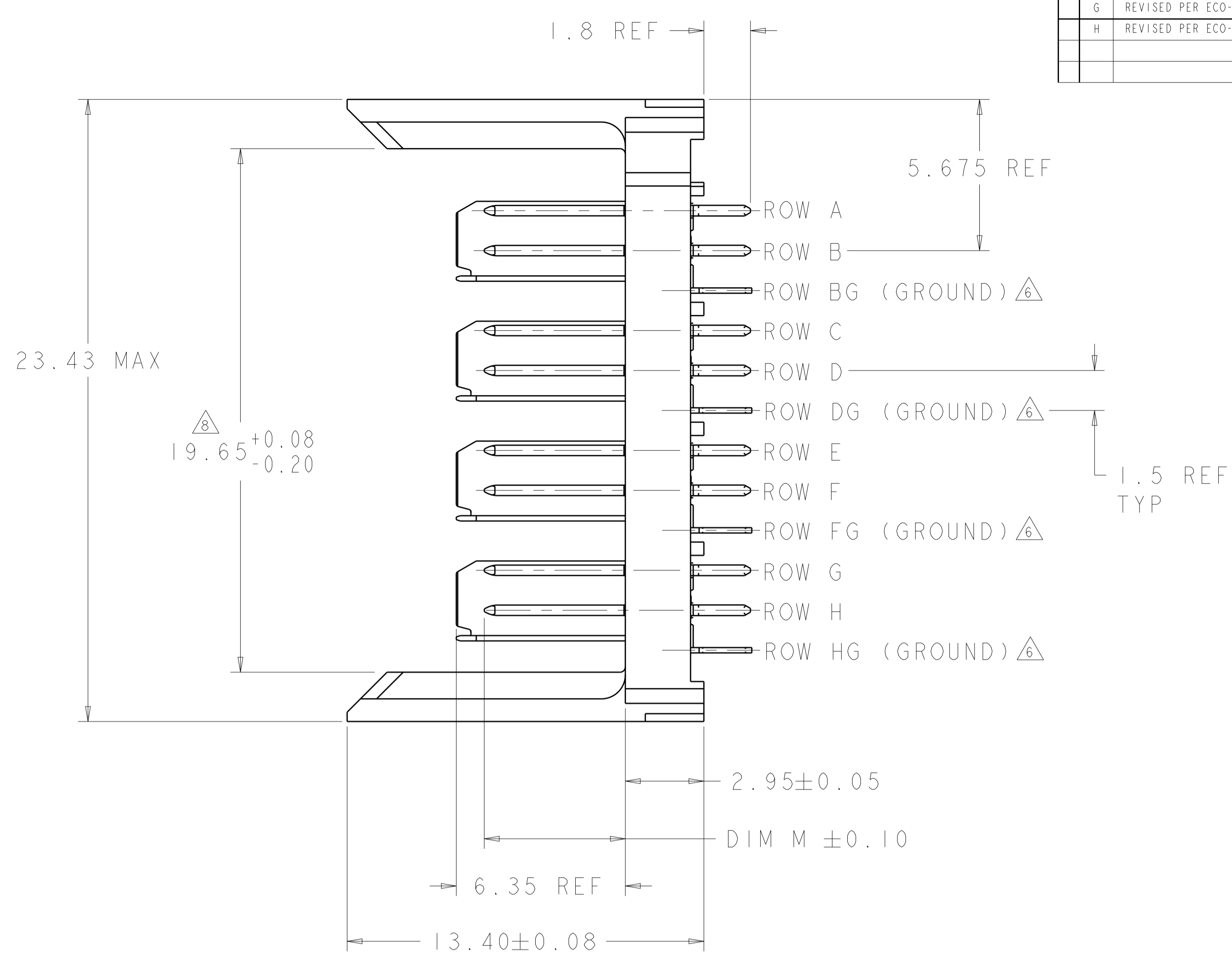
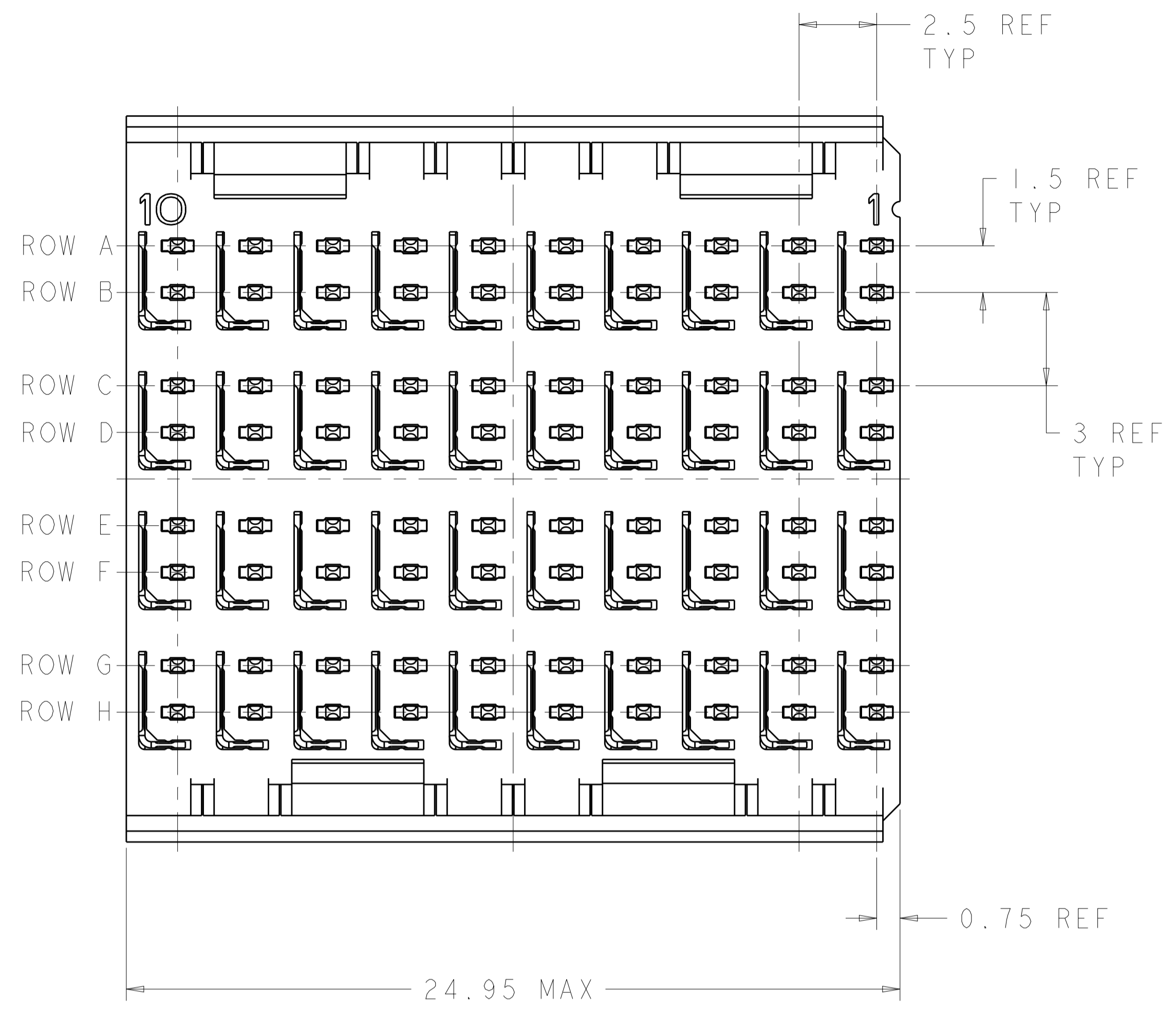


| REVISIONS | | | | |
|-----------|-----|---------------------------|-----------|--------|
| P | LTN | DESCRIPTION | DATE | APPROV |
| G | | REVISED PER ECO-14-010016 | 02JUL2014 | AP RP |
| H | | REVISED PER ECO-18-018129 | 01OCT2019 | AP DS |



⊕ Ø0.05 X Y
 ALL PLATED THRU HOLES

RECOMMENDED PC BOARD LAYOUT, BACKPLANE, COMPONENT SIDE SHOWN
 SCALE 4:1

- 1 REFERENCE APPLICATION SPEC 114-13059 FOR RECOMMENDED PLATED THRU HOLE DIAMETER AND PLATING THICKNESSES.
- 2 MATERIAL:
 CONTACT AND SHIELD - PHOSPHOR BRONZE
 HOUSING - GLASS FILLED POLYESTER. UL 94V-0.
- 3 FINISH: SIGNAL AND GROUND CONTACTS:
 MATING AREA: MEETS THE PERFORMANCE REQUIREMENTS OF PRODUCT SPECIFICATION 108-2055; BASED ON TELCORDIA GR-1217-CORE, APPLICATIONS IN UNCONTROLLED ENVIRONMENTS
 COMPLIANT PIN AREA: 0.5µm MIN BRIGHT TIN-LEAD OVER BASE PLATING
- 4 CONNECTOR MARKED WITH PART NUMBER AND DATE CODE.
- 5 DATUMS AND BASIC DIMENSIONS ESTABLISHED BY CUSTOMER.
- 6 THE FOUR GROUNDS IN EACH COLUMN ARE COMMONED.
- 7. CONTACT AREA LUBRICATED WITH BELLCORE APPROVED LUBRICANT. TECHNICAL REFERENCE: GR-1217-CORE, ISSUE 1, NOVEMBER 1995.
- 8 DIMENSION APPLIES TO FIRST AND LAST CIRCUITS.
- 9 OBSOLETE.
- 10 TE OR TE CONNECTIVITY LOGO IS LOCATED.

| | |
|-------|-------------|
| 3.80 | 1469074-2 |
| 5.30 | 1469074-1 |
| DIM M | PART NUMBER |

| | | | | |
|--|---|----------------------------|--|--|
| THIS DRAWING IS A CONTROLLED DOCUMENT. | | OWN S. MAGARO 27SEP01 | TE Connectivity | |
| DIMENSIONS: mm | | CHK R. PATTERSON 16AUG2007 | | |
| TOLERANCES UNLESS OTHERWISE SPECIFIED: | | APPR V. SCHROLL 27SEP01 | NAME HEADER ASSEMBLY, 4 PAIR, 1.8mm TAIL, 25mm, HMZd | |
| 0 PLC | ± | PRODUCT SPEC | SIZE CAGE CODE DRAWING NO | |
| 1 PLC | ± | APPLICATION SPEC | RESTRICTED TO | |
| 2 PLC | ± | WEIGHT | A100779C=1469074 | |
| 3 PLC | ± | CUSTOMER DRAWING | SCALE 8:1 SHEET 1 OF 1 REV H | |
| 4 PLC | ± | | | |
| ANGLES | ± | | | |
| FINISH | ± | | | |