

# SERIES TL 1260 SWITCHES

## TACT SWITCHES - ILLUMINATED RIGHT ANGLE

TACT SWITCHES

NAVIGATION SWITCHES

PUSHBUTTON SWITCHES

TOGGLE SWITCHES

ROCKER SWITCHES

SLIDE SWITCHES

SNAP-ACTION SWITCHES

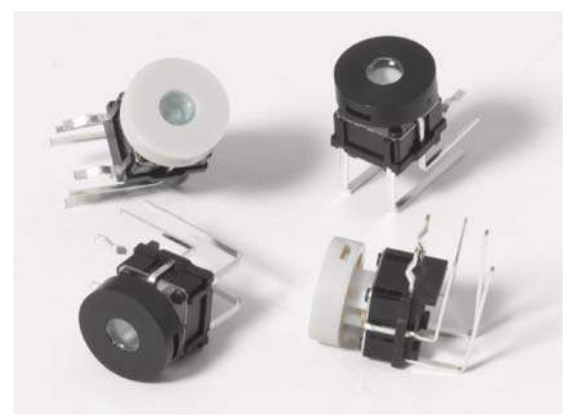
DIP SWITCHES

KEYLOCK SWITCHES

ROTARY SWITCHES

DETECTOR SWITCHES

CAP OPTIONS



### FEATURES & BENEFITS

- ▶ Illuminated
- ▶ Right angle thru-hole tact switch
- ▶ Multiple colors available

### APPLICATIONS/MARKETS

- ▶ Telecommunications
- ▶ Consumer Electronics
- ▶ Audio/visual
- ▶ Medical
- ▶ Testing/instrumentation
- ▶ Computer/servers/peripherals

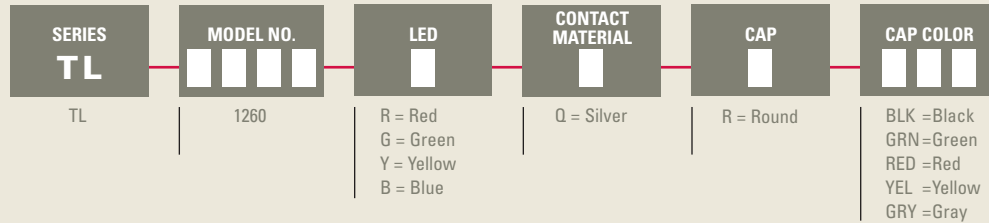
### SPECIFICATIONS

Contact Rating:	50mA @ 12 VDC
Life Expectancy:	50,000 cycles
Contact Resistance:	100mΩ
Insulation Resistance:	100MΩ
Dielectric Strength:	500 VAC
Actuation Force:	160 gf ± 50 gf
Operating Temperature:	-20°C to 70°C
Travel:	0.20 ± 0.01mm

### MATERIALS

Actuator:	PBT
Housing:	POM
Terminals:	Brass, silver plated
Moving Contact:	Stainless Steel, silver plated
Button:	Nylon

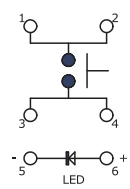
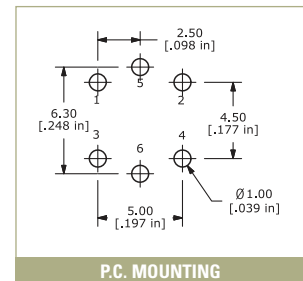
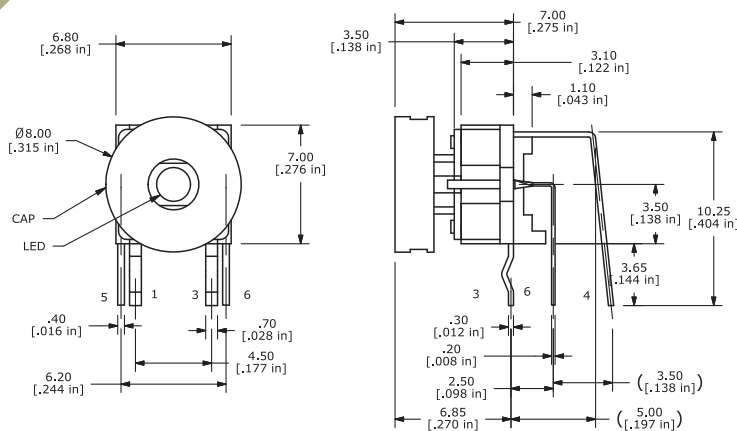
### HOW TO ORDER



**Example Ordering Number**  
TL-1260-G-Q-R-BLK

Specifications subject to change without notice.

## TL 1260



LED Specifications	Units	Blue	Green	Red	Yellow
Forward Current	mA	30	30	30	30
Forward Voltage	V	3.5-4.0	2.0-2.5	3.3-3.8	2.0-2.5
Luminous Intensity @ 20mA	mcd	230	120	50	200