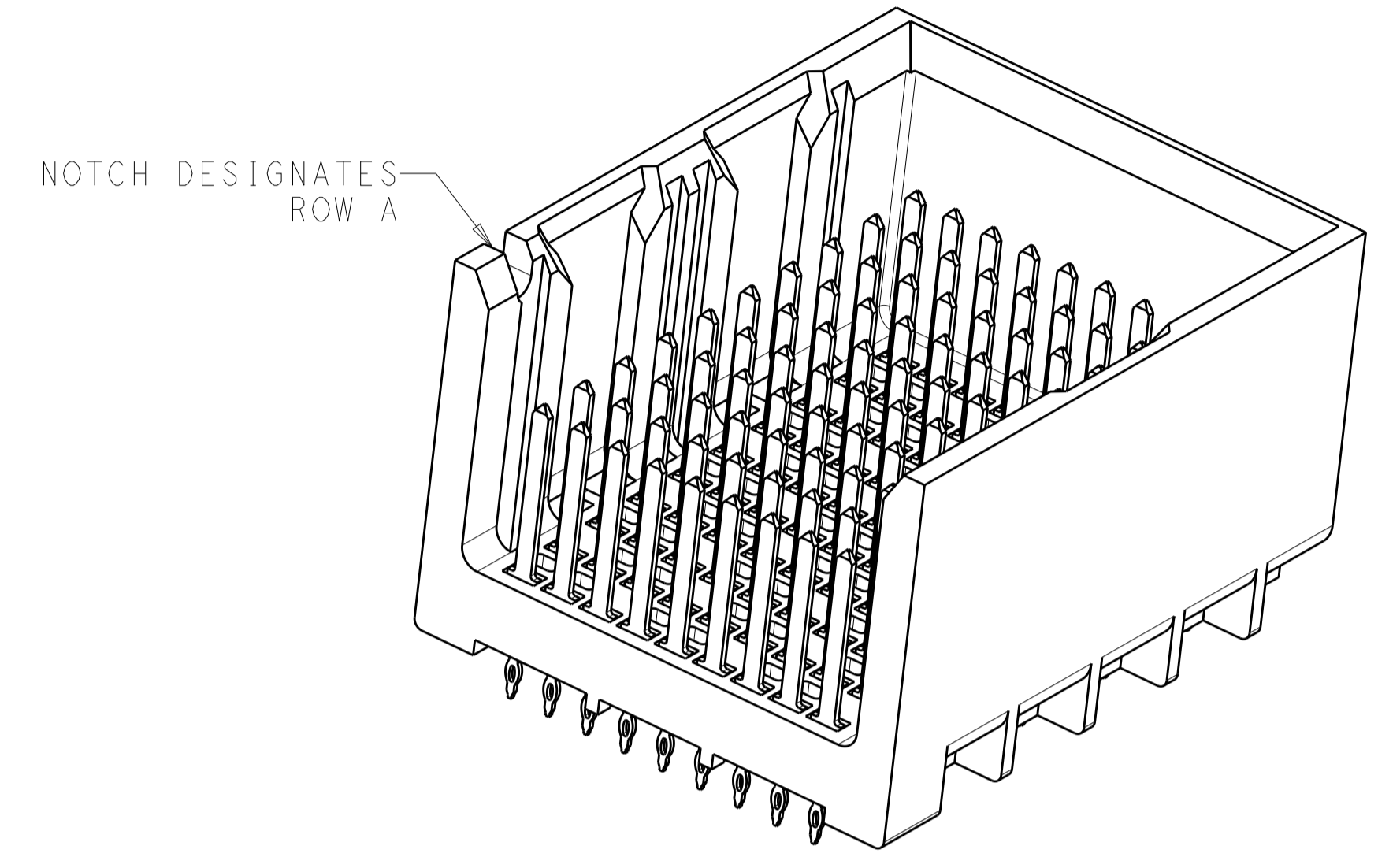
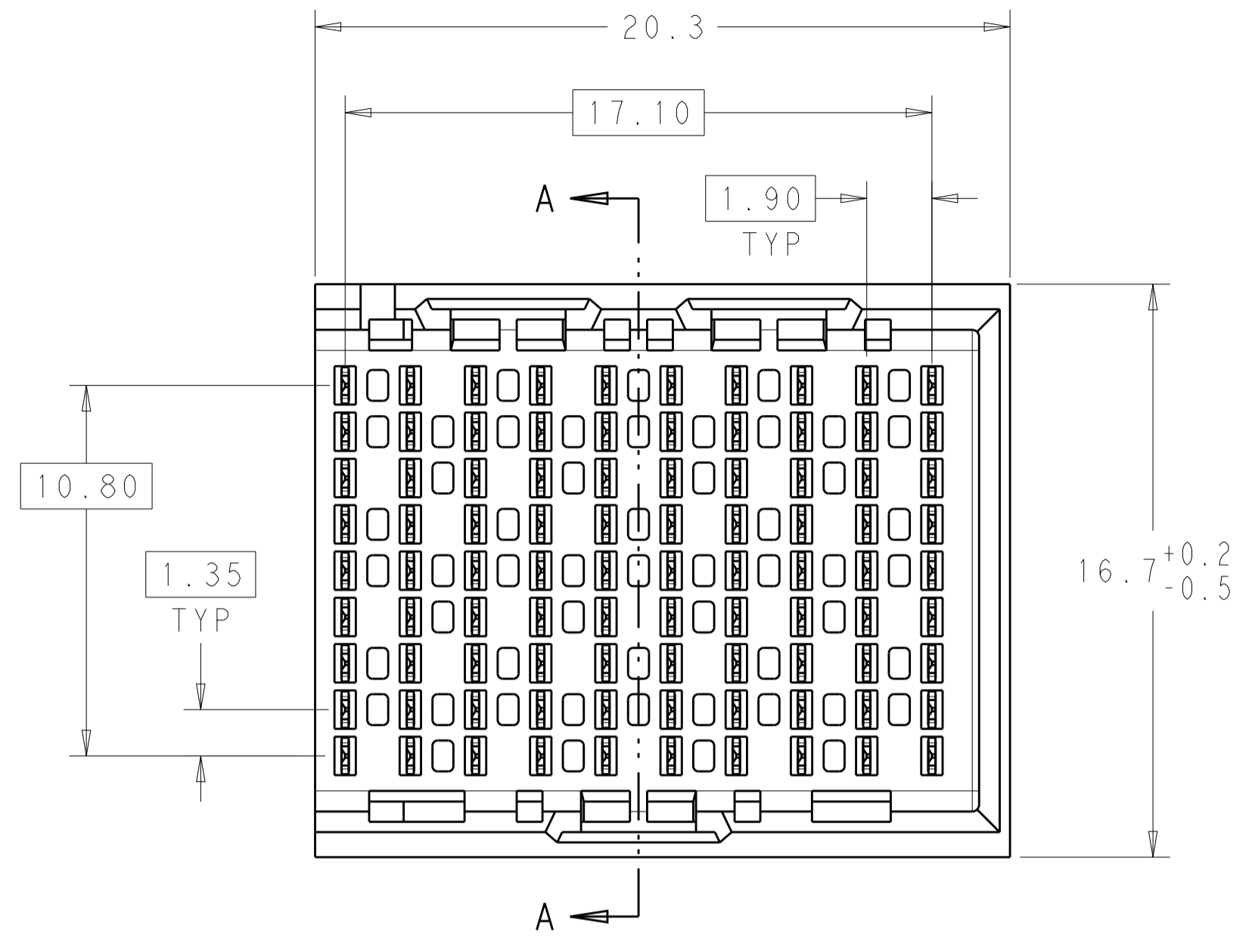
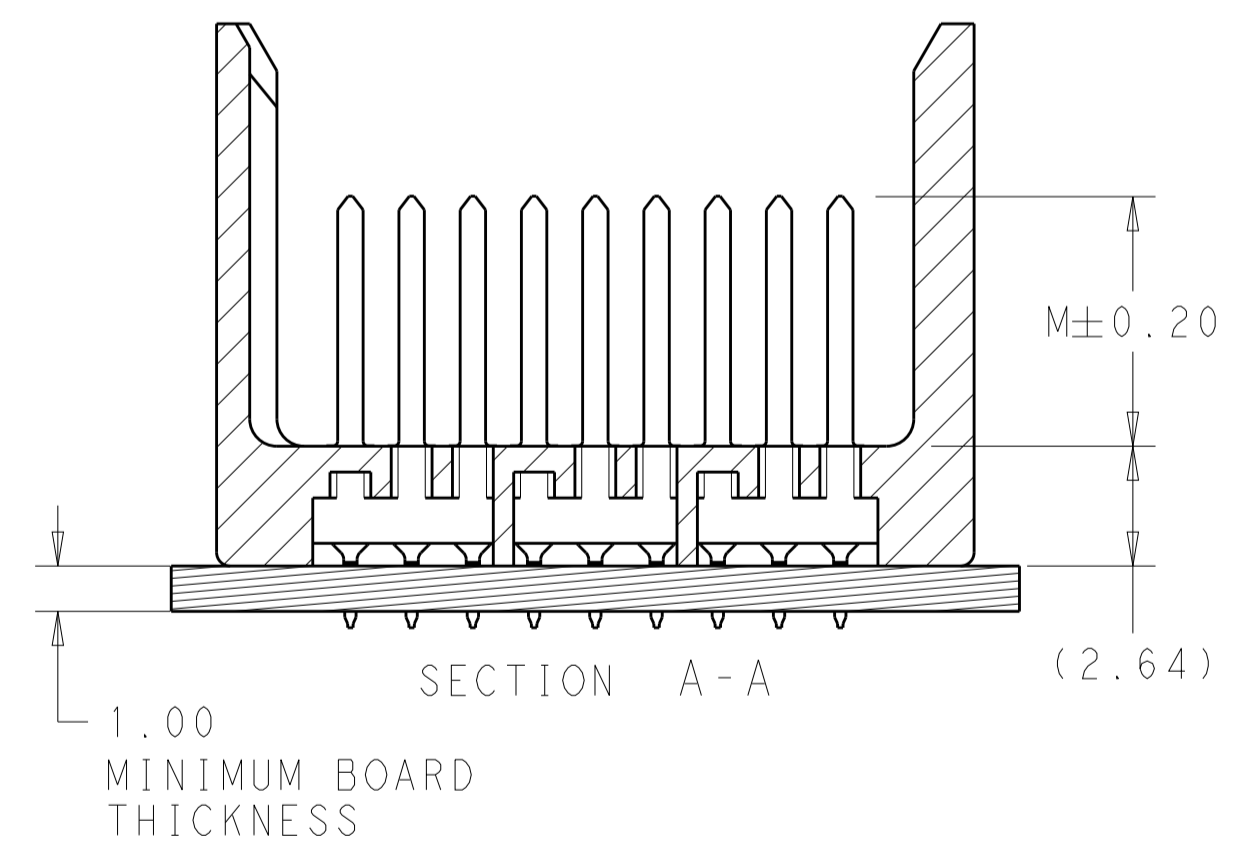
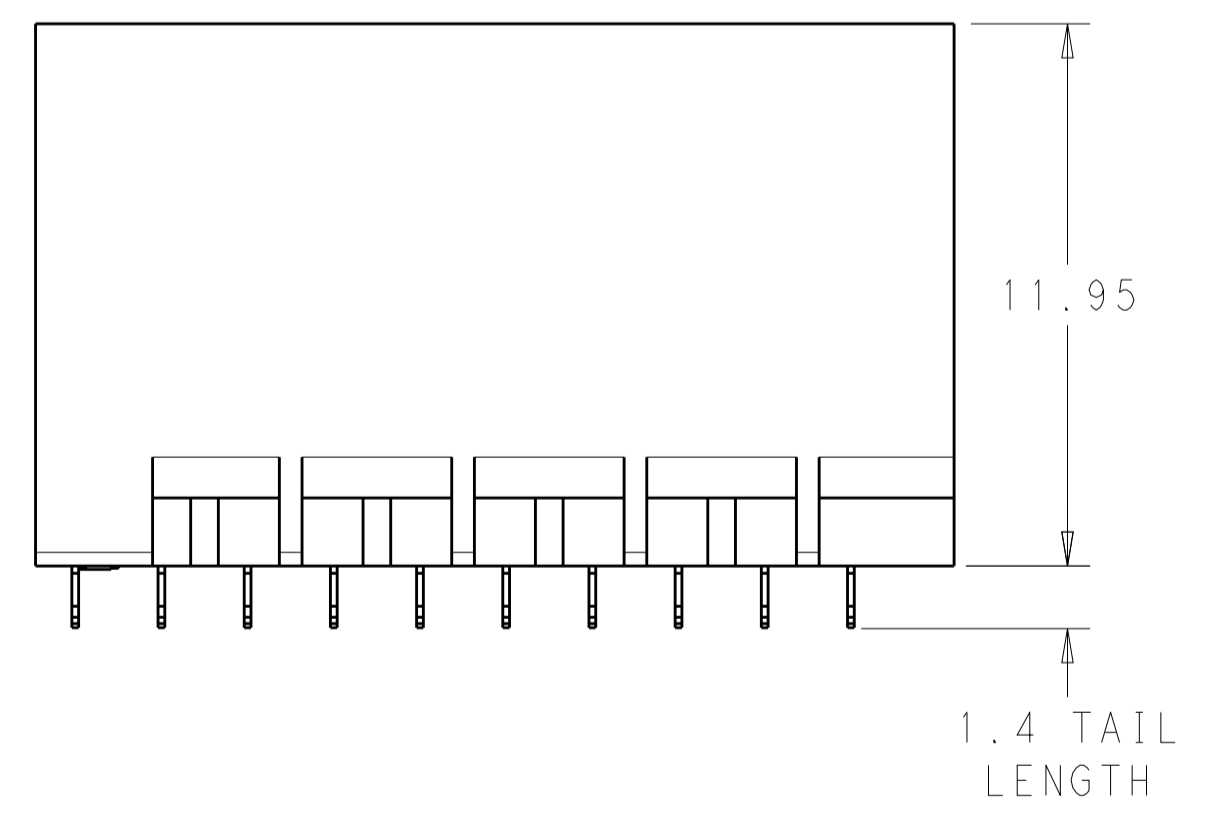
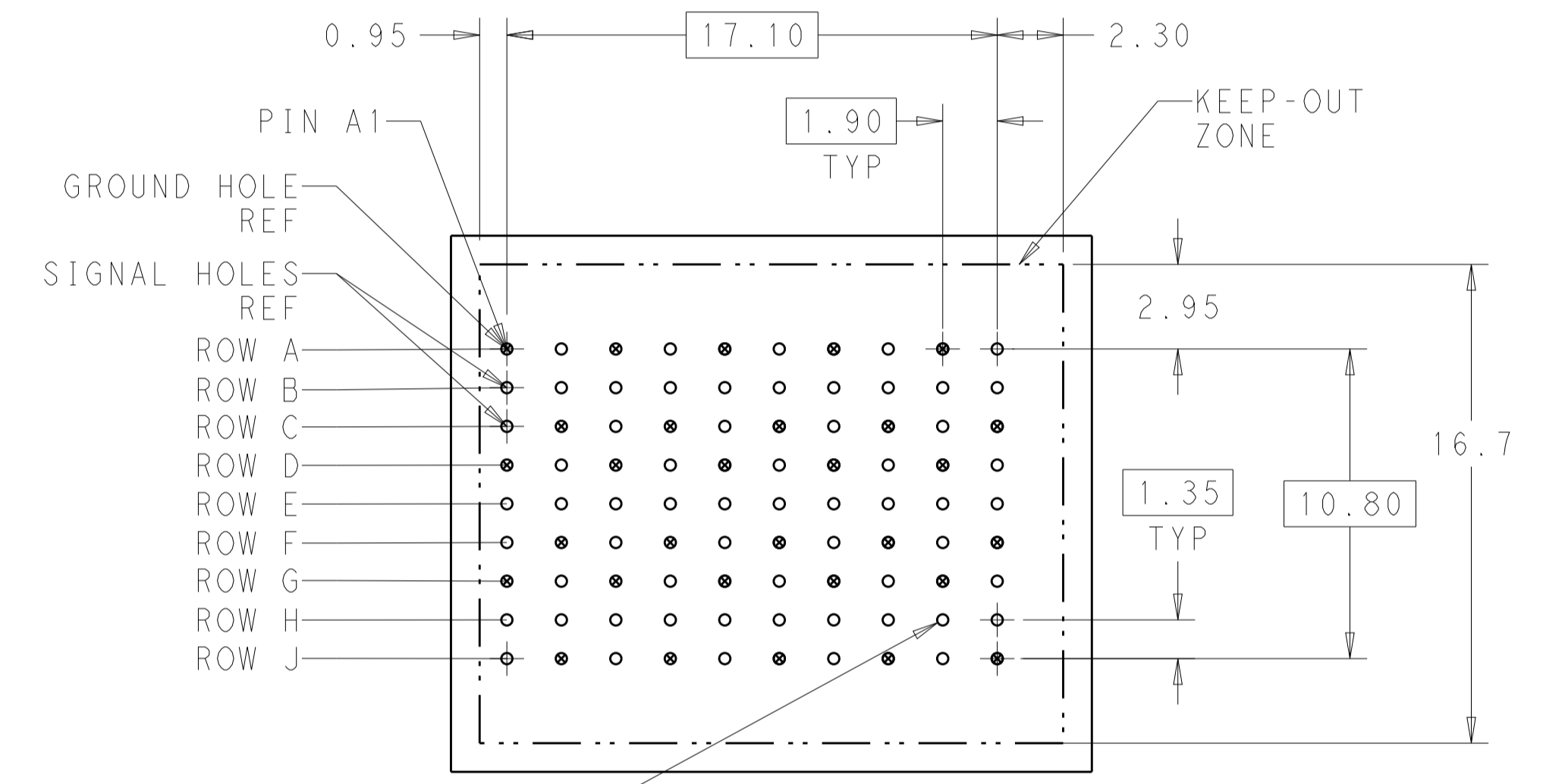


LOC	DIST	REVISIONS			
P	LTN	DESCRIPTION	DATE	DMN	APVD
B1		REVISED PER ECO-17-008265	19MAY2017	A. S.	S. Y.



- ⚠ MATERIAL:  
HOUSING: LCP, GLASS FILLED, UL94V-0.  
TERMINALS: HIGH PERFORMANCE COPPER ALLOY.
- ⚠ FINISH:  
30μ" MIN GOLD IN CONTACT AREA. SELECTIVE TIN ON PCB TAILS, NICKEL OVERALL.
- ⚠ FINISH:  
30μ" MIN GOLD IN CONTACT AREA. SELECTIVE TIN-LEAD ON PCB TAILS, NICKEL OVERALL.



⚠	5.5	2007791-6
⚠	4.9	2007791-5
⚠	4.5	2007791-4
⚠	5.5	2007791-3
⚠	4.9	2007791-2
⚠	4.5	2007791-1
FINISH	DIM M	PART NUMBER

REFER TO WWW.TE.COM FOR PRODUCT AVAILABILITY

THIS DRAWING IS A CONTROLLED DOCUMENT.		DMN J. K. SHOBER 21DEC2010	TE Connectivity
DIMENSIONS:		CHK J. EARY 21DEC2010	
mm	0 PLC ±0.25	APVD J. EARY 21DEC2010	NAME IMPACT, 3 PAIR, 10 COLUMN, HEADER UNGUIDED, RIGHT END WALL SIGNAL MODULE, 0.39 PTH
	1 PLC ±0.13	PRODUCT SPEC	
	2 PLC ±0.13	APPLICATION SPEC	SIZE CAGE CODE DRAWING NO RESTRICTED TO
	3 PLC ±0.13	WEIGHT	A1007791C=2007791
	4 PLC ±0.13	CUSTOMER DRAWING	SCALE 6:1 SHEET 1 OF 1 REV B1
	ANGLES ±0.13		
MATERIAL	FINISH SEE TABLE		