

# CUC-F-D1ZNI-S/R4GCHP8 - RJ45 coupling



1086111

<https://www.phoenixcontact.com/pc/products/1086111>

Please be informed that the data shown in this PDF document is generated from our online catalog. Please find the complete data in the user documentation. Our general terms of use for downloads are valid.



RJ45 coupling, degree of protection: IP20, number of positions: 8, 10 Gbps, CAT6<sub>A</sub>, material: Metal, connection method: Coupling, cable outlet: straight, Freenet design for use with IP67 panel mounting frame and terminal outlets, Ethernet

## Your advantages

- Compact design

## Commercial data

Item number	1086111
Packing unit	1 pc
Minimum order quantity	1 pc
Product key	ABNACB
GTIN	4055626877129
Weight per piece (including packing)	15.2 g
Weight per piece (excluding packing)	15.2 g
Customs tariff number	85366930
Country of origin	PL

# CUC-F-D1ZNI-S/R4GCHP8 - RJ45 coupling



1086111

<https://www.phoenixcontact.com/pc/products/1086111>

## Technical data

### Product properties

Type	RJ45
Product type	Female insert
Sensor type	Ethernet
Number of positions	8
Connection profile	RJ45
Number of slots	2
Cable outlet	straight

### Insulation characteristics

Overvoltage category	III
Degree of pollution	2

### Electrical properties

Rated voltage (III/3)	72 V (DC)
Rated surge voltage	0.8 kV
Rated current	1 A (at 60 °C)
Max. operating voltage $U_{max}$	72 V DC
Frequency range	500 MHz
Insulation resistance	$\geq 500 \text{ M}\Omega$
Nominal current $I_N$	0.5 A
Contact resistance	200 m $\Omega$ (Trunk in to trunk out)
Transmission characteristics (category)	CAT6 <sub>A</sub>

### Connection data

#### Connection technology

Connection method	Coupling
-------------------	----------

### Material specifications

Flammability rating according to UL 94	V0
Housing surface material	metal-plated
Contact material	Spring steel
Contact surface material	Gold
Housing material	Metal

### Mechanical properties

#### Mechanical data

Insertion/withdrawal cycles	$\geq 750$
-----------------------------	------------

### Environmental and real-life conditions

#### Ambient conditions

# CUC-F-D1ZNI-S/R4GCHP8 - RJ45 coupling



1086111

<https://www.phoenixcontact.com/pc/products/1086111>

Degree of protection	IP20
	IP20
Ambient temperature (operation)	-10 °C ... 60 °C
Ambient temperature (storage/transport)	60 °C

## Standards and regulations

Standards/specifications	IEC 60603-7
	DIN EN 50173-1
	ISO/IEC 11801-Am.1
	IEC 60068-2

## Mounting

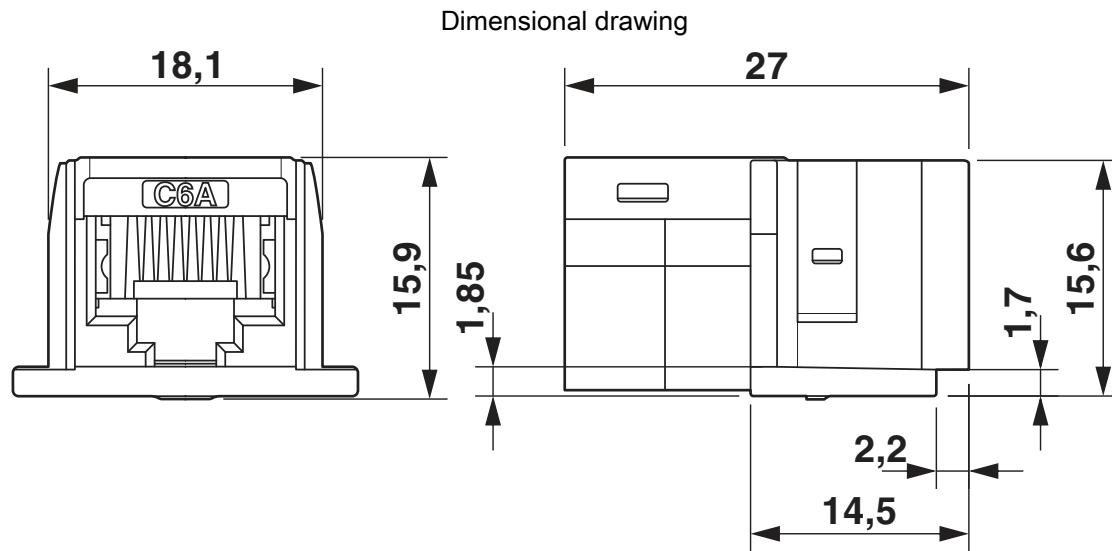
Mounting type	Snap in
Connection method	Coupling

# CUC-F-D1ZNI-S/R4GCHP8 - RJ45 coupling

1086111

<https://www.phoenixcontact.com/pc/products/1086111>

## Drawings



# CUC-F-D1ZNI-S/R4GCHP8 - RJ45 coupling



1086111

<https://www.phoenixcontact.com/pc/products/1086111>

## Approvals

To download certificates, visit the product detail page: <https://www.phoenixcontact.com/pc/products/1086111>



**cUL Recognized**  
Approval ID: FILE E 335024



**UL Recognized**  
Approval ID: FILE E 335024



**EAC**  
Approval ID: B.01687

# CUC-F-D1ZNI-S/R4GCHP8 - RJ45 coupling



1086111

<https://www.phoenixcontact.com/pc/products/1086111>

## Classifications

### ECLASS

ECLASS-11.0	19179090
ECLASS-12.0	19179090
ECLASS-13.0	19179090

### ETIM

ETIM 8.0	EC002608
----------	----------

### UNSPSC

UNSPSC 21.0	43222600
-------------	----------

# CUC-F-D1ZNI-S/R4GCHP8 - RJ45 coupling



1086111

<https://www.phoenixcontact.com/pc/products/1086111>

## Environmental product compliance

China RoHS	Environmentally friendly use period: unlimited = EFUP-e
	No hazardous substances above threshold values

# CUC-F-D1ZNI-S/R4GCHP8 - RJ45 coupling

1086111

<https://www.phoenixcontact.com/pc/products/1086111>

## Accessories

### VS-A-F-IP67 - Panel mounting frames

1653744

<https://www.phoenixcontact.com/pc/products/1653744>



Panel mounting frame, IP67, for Freenet system, for round panel cutout, with grommet, without mounting screws, color: gray

---

### VS-A-F-IP67-BK - Panel mounting frames

1658668

<https://www.phoenixcontact.com/pc/products/1658668>



Panel mounting frame, IP67, for Freenet system, for round panel cutout, with grommet, without mounting screws, color: black



# CUC-F-D1ZNI-S/R4GCHP8 - RJ45 coupling

1086111

<https://www.phoenixcontact.com/pc/products/1086111>



## VS-PPC-F1-RJ45-MNNA-1R-F - Panel mounting frames

1405358

<https://www.phoenixcontact.com/pc/products/1405358>



RJ45 panel mounting frame, IP67, for push-pull interlocking, metal, with the Freenet system, for square panel cutout, with grommet, without mounting screws

---

## VS-PPC-F1-RJ45-MNNA-1C-F - Panel mounting frames

1405222

<https://www.phoenixcontact.com/pc/products/1405222>



RJ45 panel mounting frame, IP67, for push-pull interlocking, metal, with Freenet system, for round mounting cutout, with seal

## CUC-F-D1ZNI-S/R4GCHP8 - RJ45 coupling

1086111

<https://www.phoenixcontact.com/pc/products/1086111>



## VS-PPC-F1-RJ45-POBK-1R-F - Panel mounting frames

1608197

<https://www.phoenixcontact.com/pc/products/1608197>



RJ45 panel mounting frame, IP67, for push-pull interlocking, plastic, with the Freenet system, for square panel cutout, with grommet, without mounting screws

---

## VS-TO-OW-2-F-9010 - Terminal outlet

1653003

<https://www.phoenixcontact.com/pc/products/1653003>



Terminal outlet, surface mounting, IP20, two slots for contact inserts with the Freenet system

# CUC-F-D1ZNI-S/R4GCHP8 - RJ45 coupling

1086111

<https://www.phoenixcontact.com/pc/products/1086111>



## VS-TO-IW-2-F-9010 - Terminal outlet

1653016

<https://www.phoenixcontact.com/pc/products/1653016>



Terminal outlet, flush-type mounting, IP20, two slots for contact inserts with the Freenet system

---

## VS-08-RJ45-10G/Q - RJ45 connector

1419001

<https://www.phoenixcontact.com/pc/products/1419001>



RJ45 connector, design: RJ45, degree of protection: IP20, number of positions: 8, 10 Gbps, CAT6<sub>A</sub>, material: Plastic, connection method: Insulation displacement connection, connection cross section: AWG 26- 24, cable outlet: straight, color: black, Ethernet

---

Phoenix Contact 2023 © - all rights reserved  
<https://www.phoenixcontact.com>

PHOENIX CONTACT GmbH & Co. KG  
Flachsmarktstraße 8  
D-32825 Blomberg  
+49 (0) 5235-3 00  
[info@phoenixcontact.com](mailto:info@phoenixcontact.com)