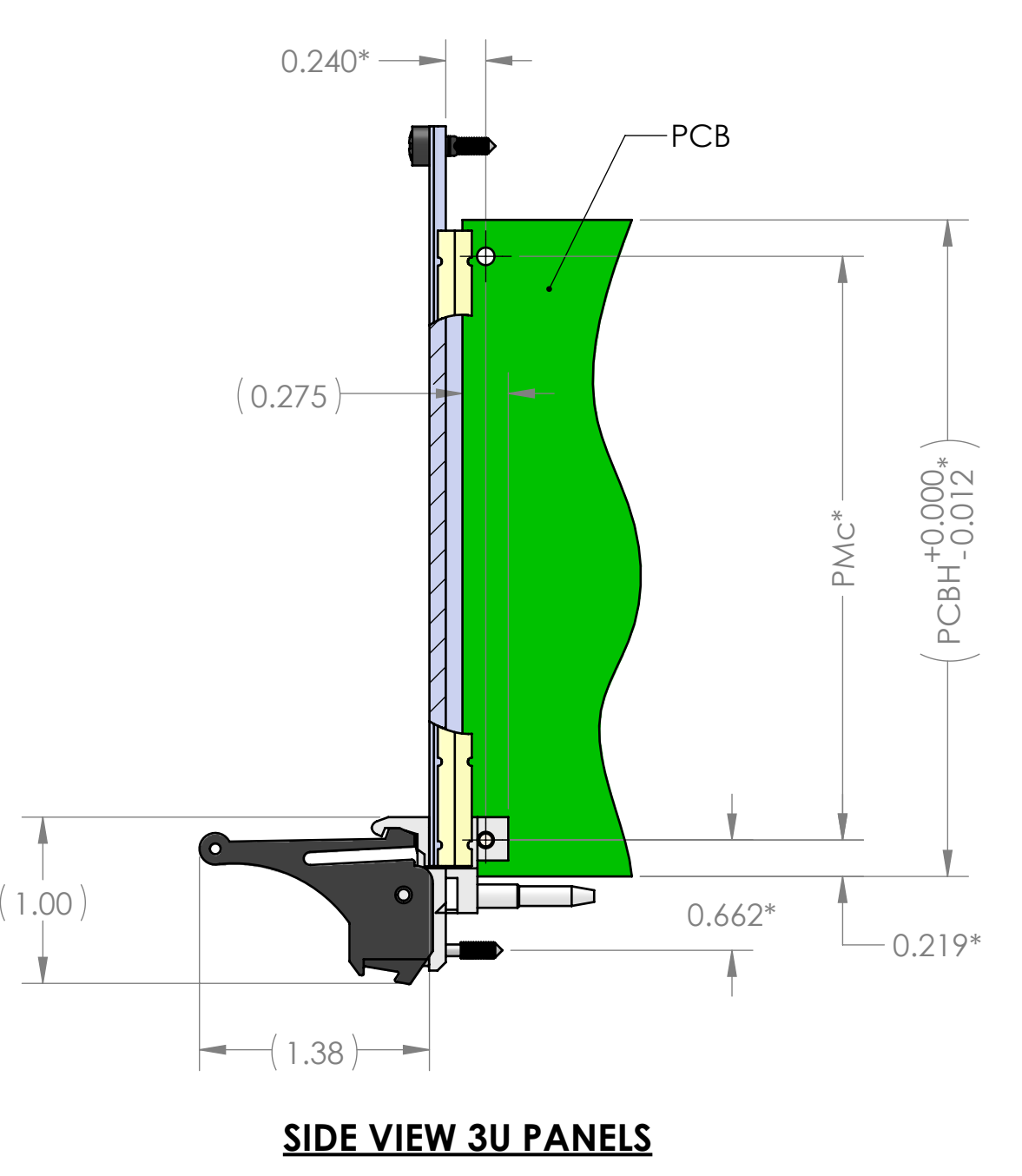
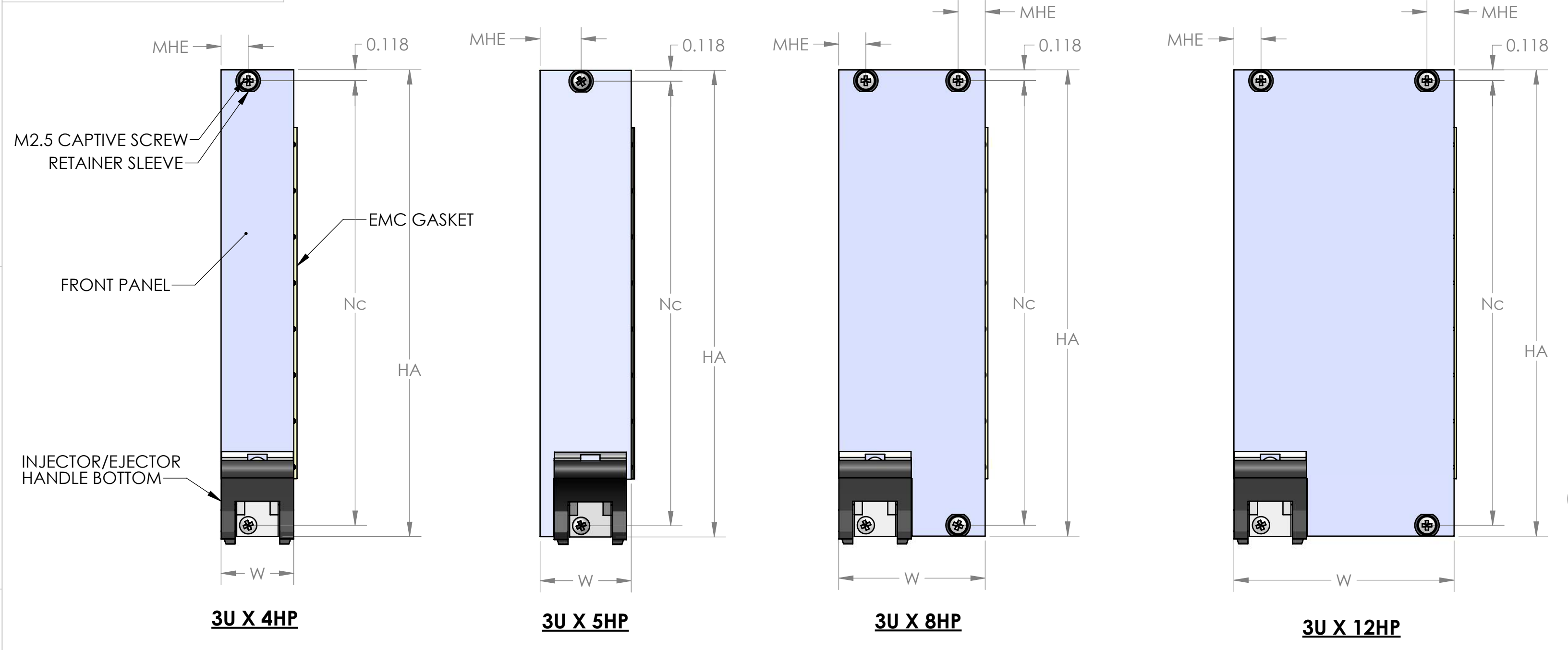


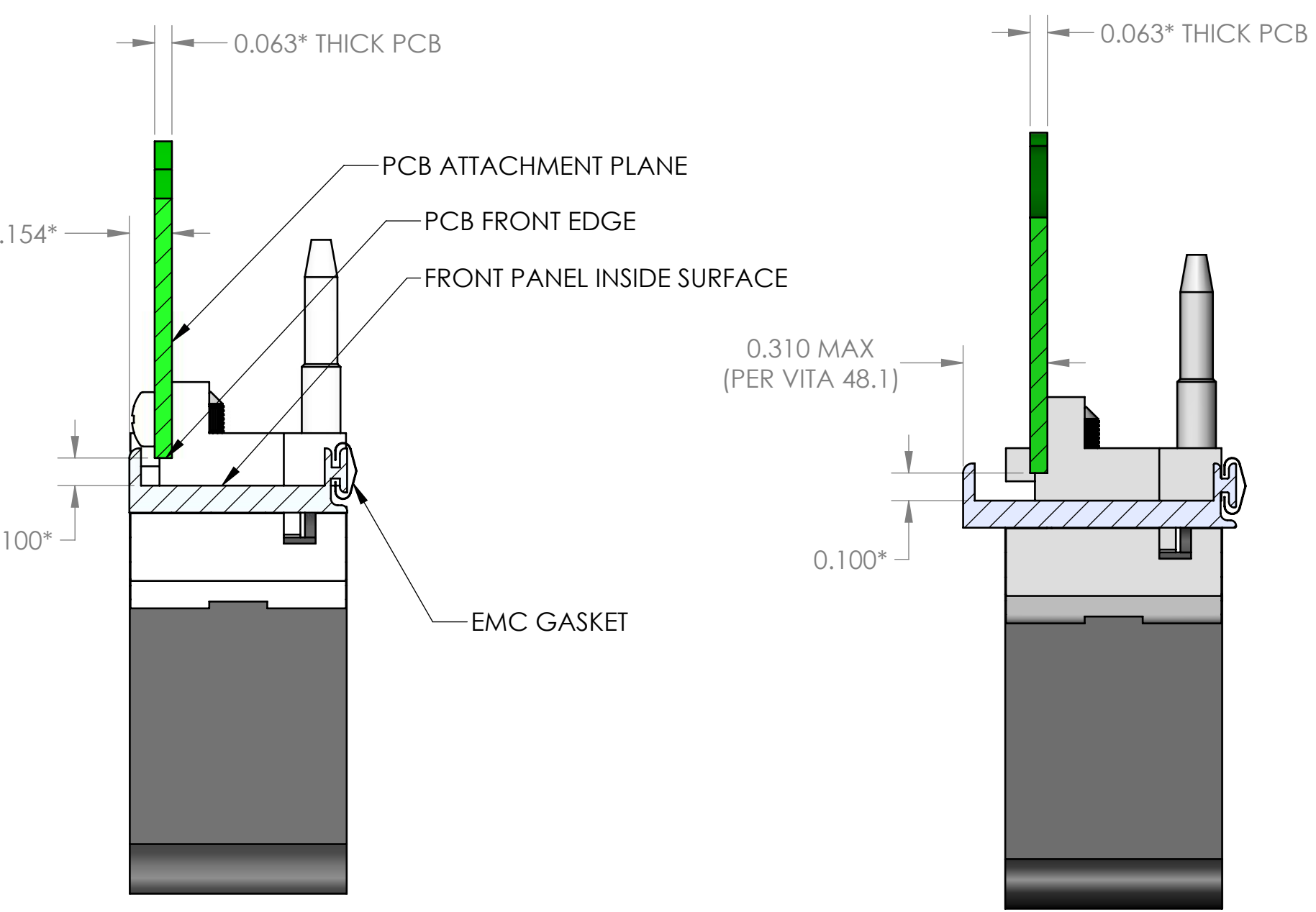
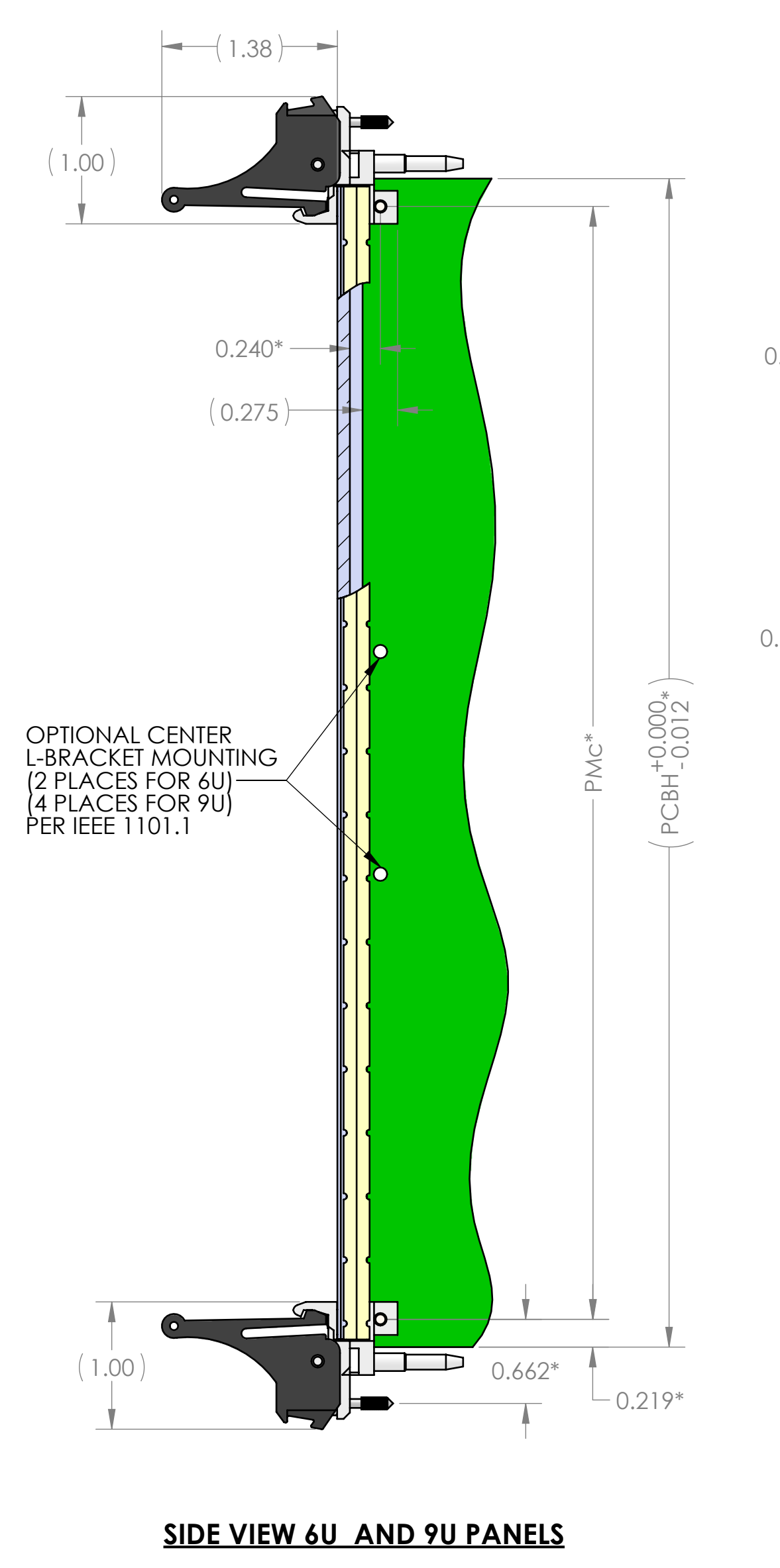
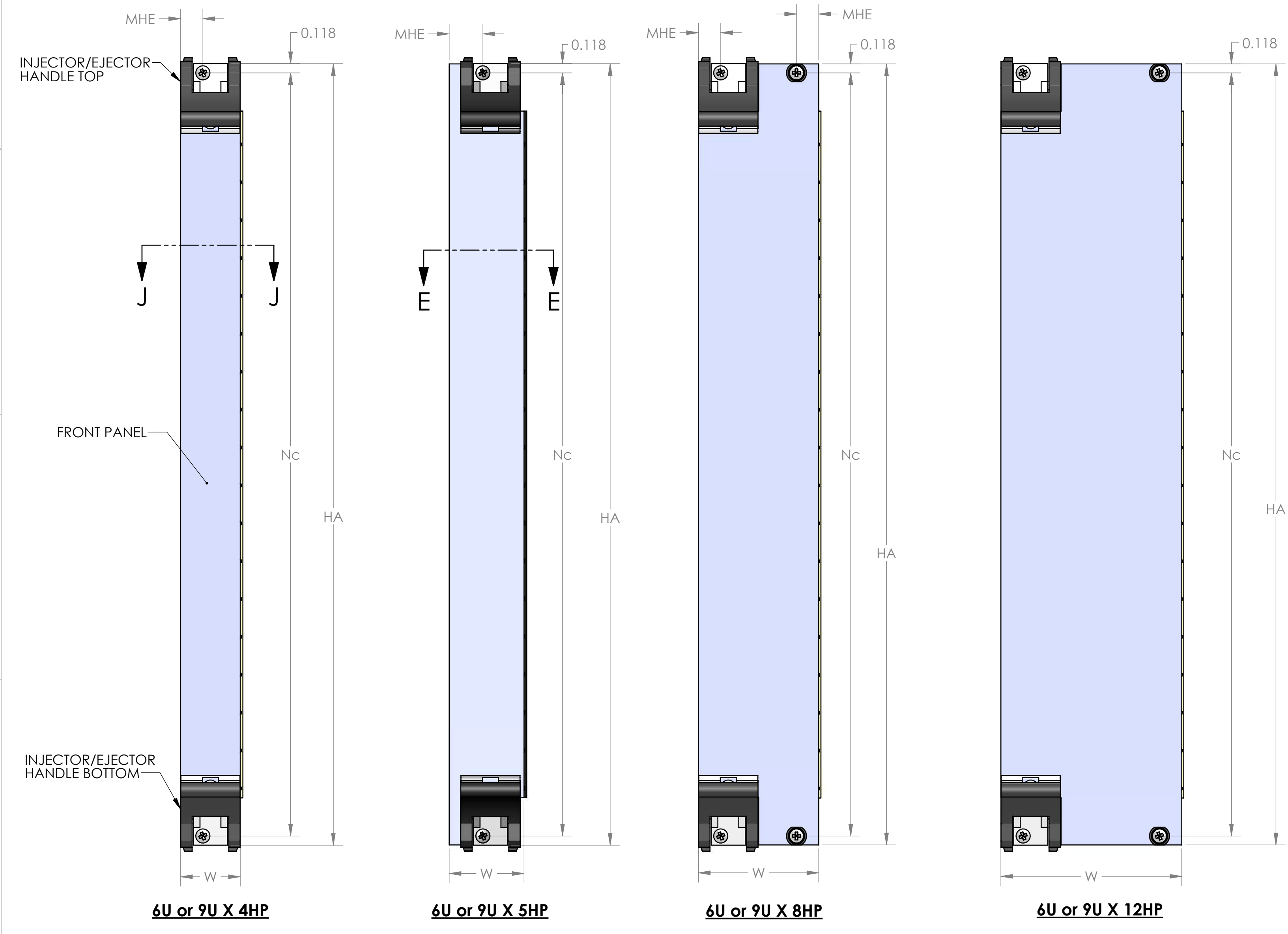
PROPRIETARY AND CONFIDENTIAL
 THE INFORMATION CONTAINED IN THIS DRAWING IS THE SOLE PROPERTY OF VECTOR ELECTRONICS & TECHNOLOGY, INC. ANY REPRODUCTION IN PART OR AS A WHOLE WITHOUT THE WRITTEN PERMISSION OF VECTOR ELECTRONICS & TECHNOLOGY, INC. IS PROHIBITED.

REVISIONS				
ZONE	REV	DESCRIPTION	DATE	APPROVED
ALL	A	INITIAL RELEASE	02/23/15	
SHEET 2	B	SHEET 2, DIM "A" FOR 3U X 4HP AND 4U OR 9U X 4HP, WAS NOTED AS DIM "H"	04/01/15	



- NOTES:
 1. FRONT PANELS ARE SHOWN WITH TYPE IV INJECTOR/EJECTOR HANDLES
 2. TOP/BOTTOM INJECTOR/EJECTOR HANDLES AND PCB SHOWN FOR REFERENCE ONLY. NOT PART OF FRONT PANEL KIT
 3. * INDICATES DIMENSIONS PER IEEE 1101.10
 4. HEIGHT DIM "H" INCLUDES TYPE IV HANDLE'S KEYING BRACKET

PART NO	DESCRIPTION	HA	WA	Nc	MHE	PMC	PCBH
FP52B4HP-1	3U X 4HP	5.059	0.788	4.823	0.294	3.500	3.937
FP52B5HP-1	3U X 5HP		0.988		0.445		
FP52B8HP-1	3U X 8HP		1.588		0.294		
FP52B12HP-1	3U X 12HP		2.388		0.294		
FP10B4HP-1	6U X 4HP	10.309	0.788	10.073	0.294	8.750	9.187
FP10B5HP-1	6U X 5HP		0.988		0.445		
FP10B8HP-1	6U X 8HP		1.588		0.294		
FP10B12HP-1	6U X 12HP		2.388		0.294		
FP15B4HP-1	9U X 4HP	15.559	0.788	15.323	0.294	14.000	14.437
FP15B5HP-1	9U X 5HP		0.988		0.445		
FP15B8HP-1	9U X 8HP		1.588		0.294		
FP15B12HP-1	9U X 12HP		2.388		0.294		



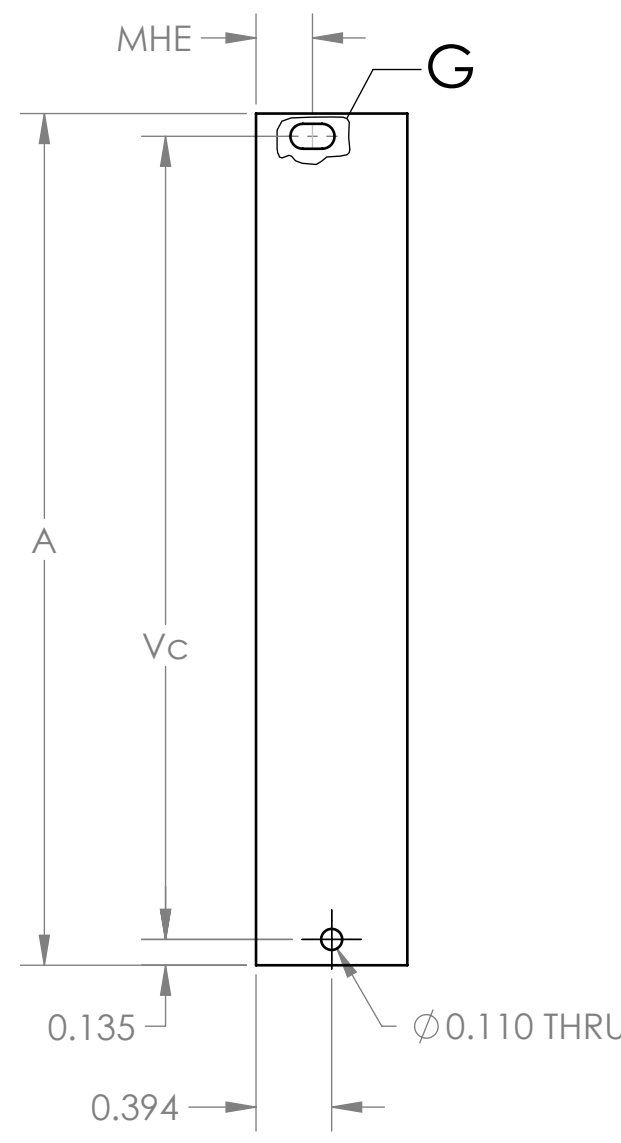
SECTION E-E FOR 3U, 6U, AND 9U 5HP WIDE PANELS SCALE 2:1

UNLESS OTHERWISE SPECIFIED: DIMENSIONS ARE IN INCHES TOLERANCES: DEC. X.X ±0.1 DEC. X.XXX ±0.03 DEC. X.XXXX ±0.010 FRACTIONS ±0.050 ANGLES ±1° THIRD ANGLE PROJECTION	DRAWN: TRISHAR CHECKED: ENG APPR. MFG APPR: Q.A. COMMENTS:	NAME: TRISHAR DATE: 02/23/15	VECTOR ELECTRONICS & TECHNOLOGY, INC. 81115 VANOWEN ST., NORTH HOLLYWOOD, CA 91365 www.vectorlect.com
---	---	---------------------------------	--

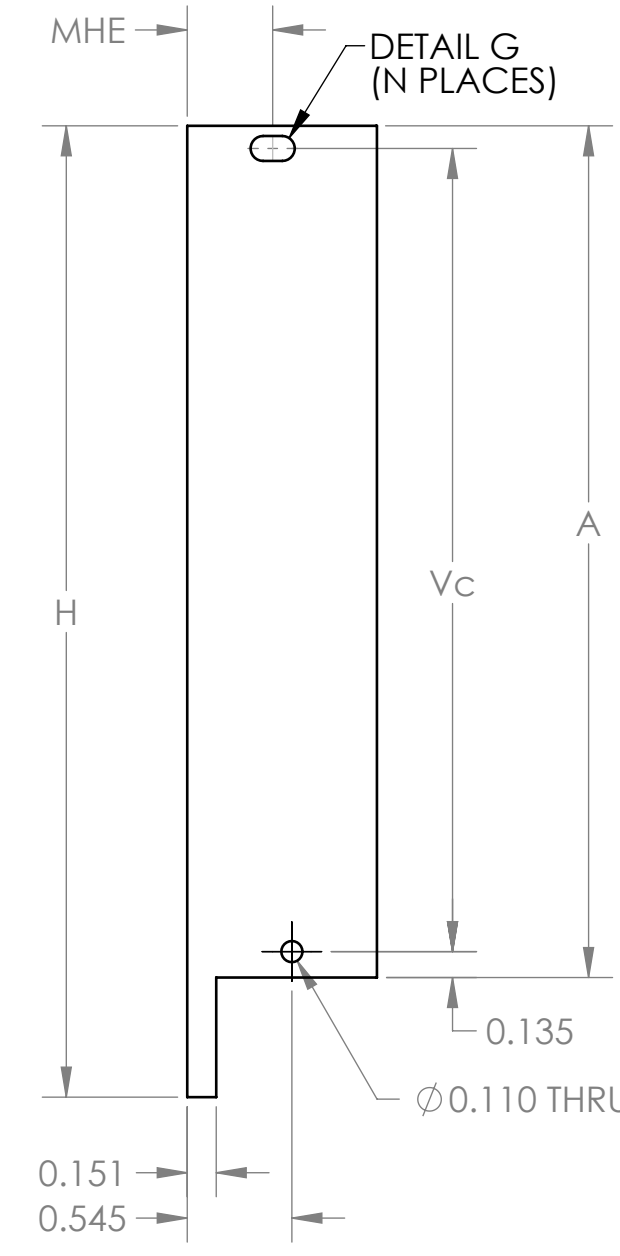
EMC FRONT PANEL, 1101.10

SIZE: **D** DWG. NO.: **FPXXBXHP-1** REV: **B**

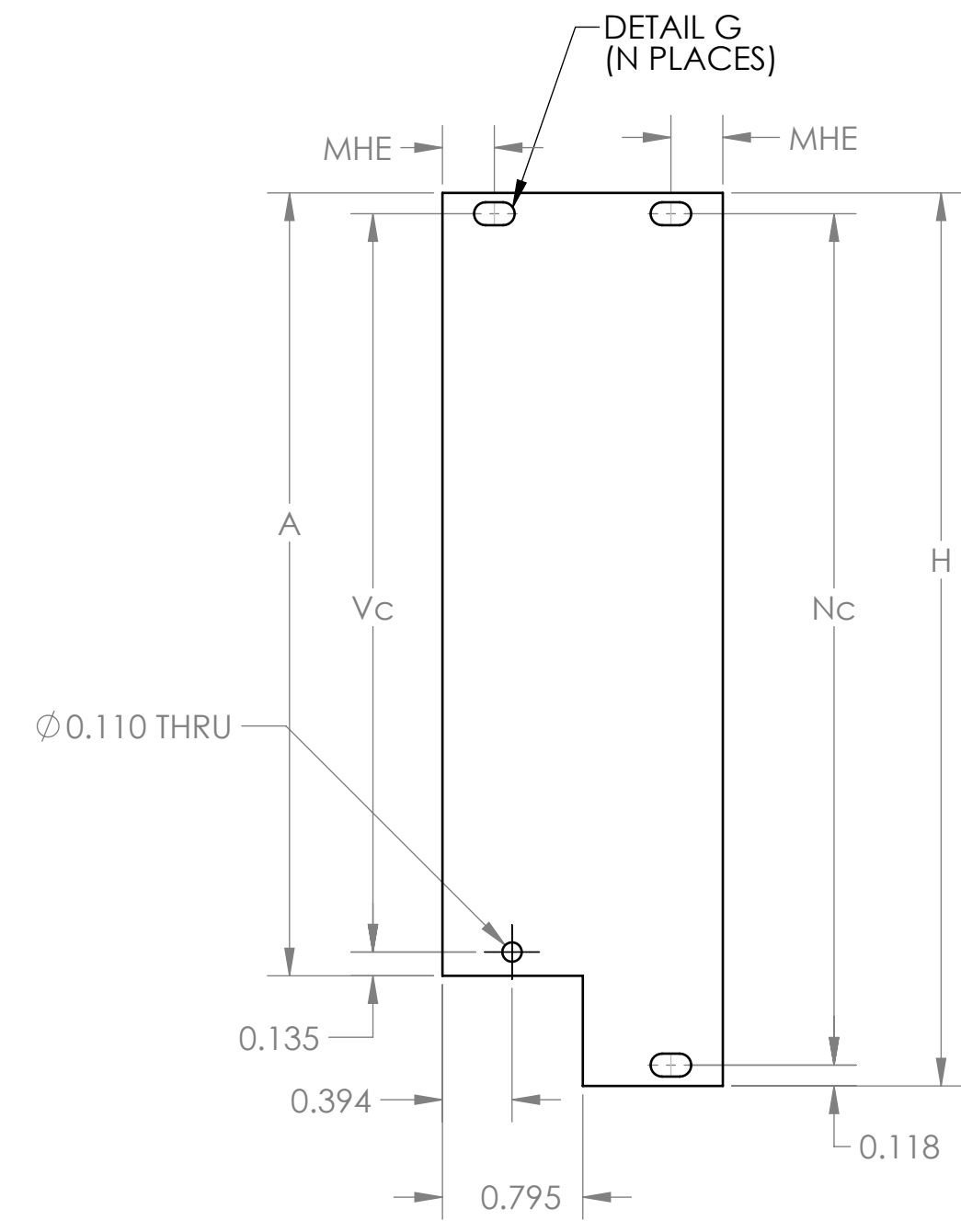
SCALE: 1:1 CAGE CODE: 82893 SHEET 1 OF 2



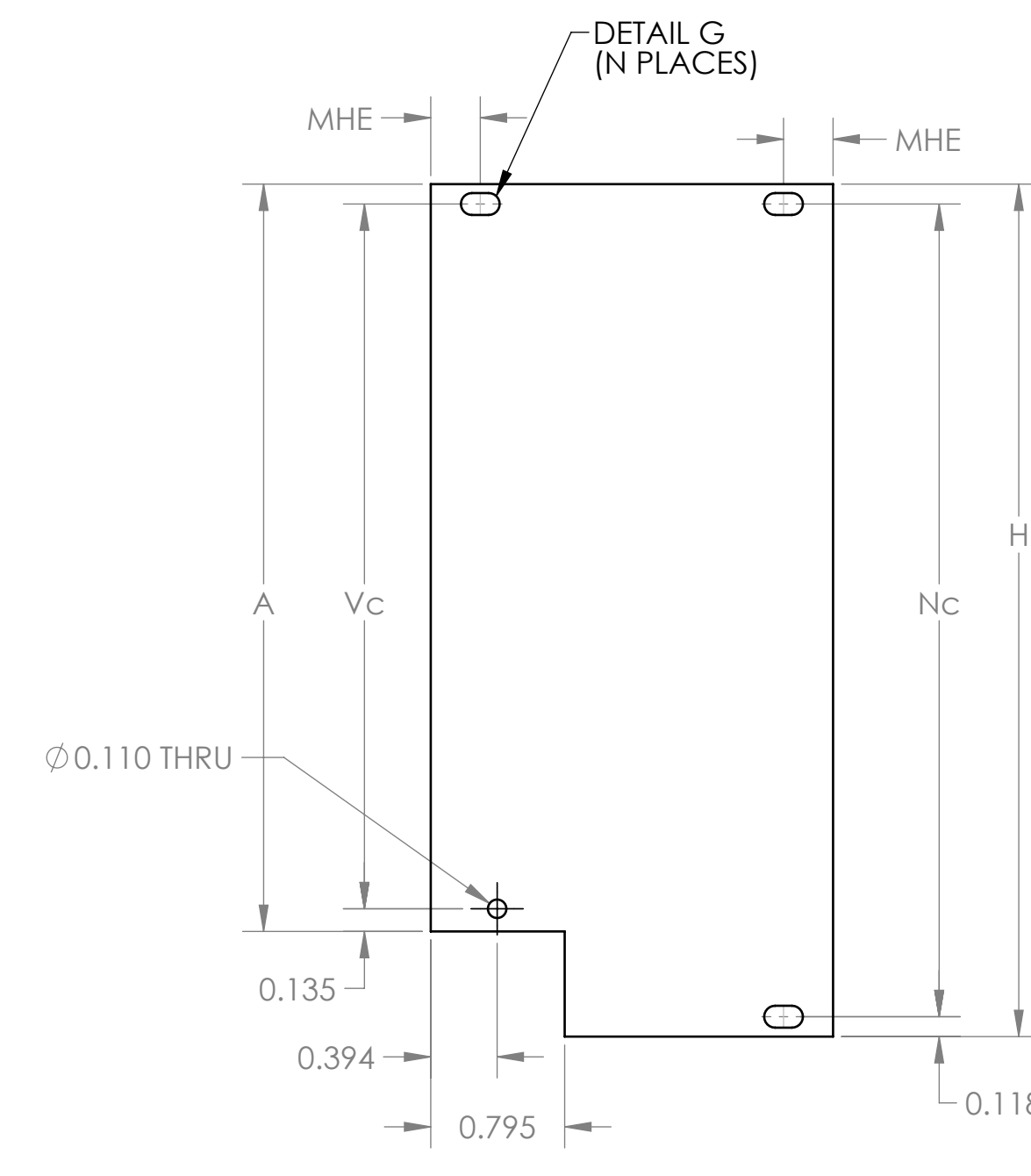
3U X 4HP



3U X 5HP



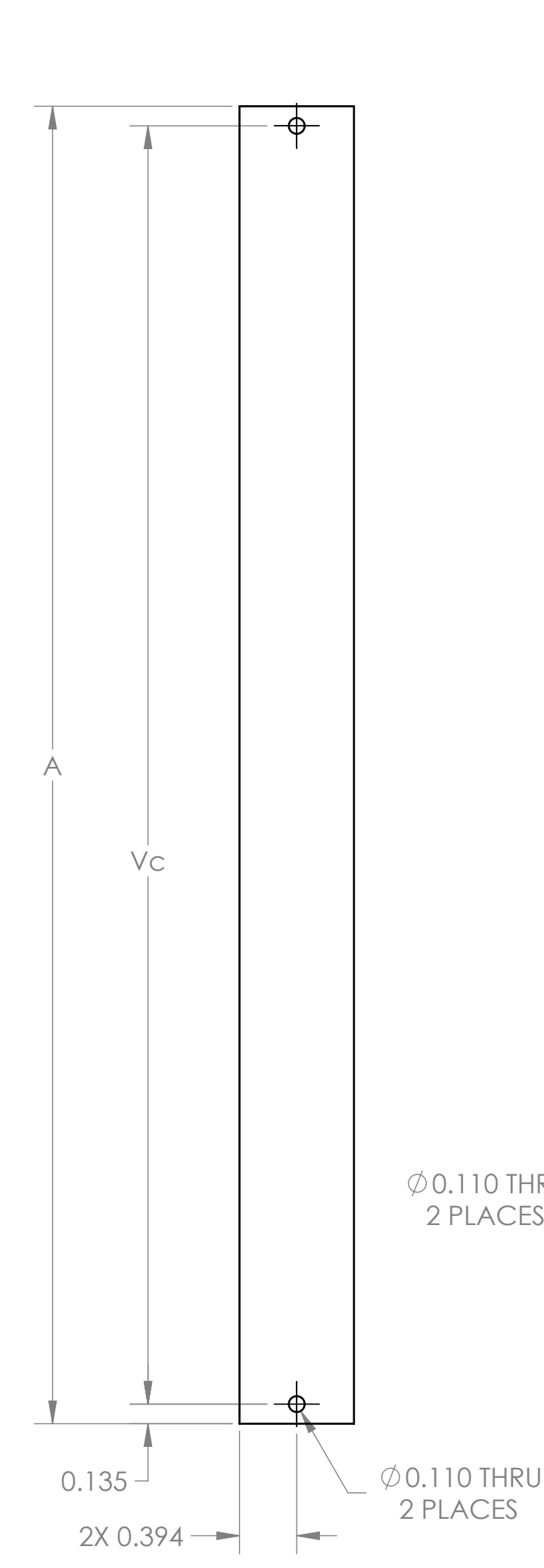
3U X 8HP



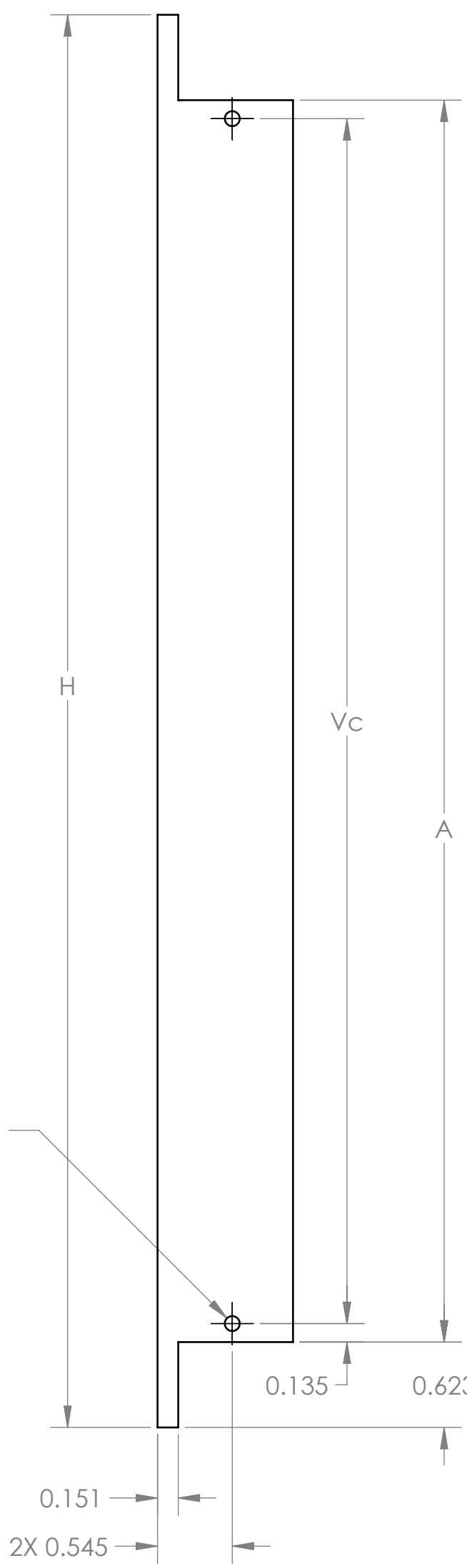
3U X 12HP

- NOTES:
 1. MATERIAL : ALUMINUM EXTRUSION, 6063-T5
 2. FRONT SURFACE GRAINED IN DIRECTION OF MATERIAL GRAIN
 3. FINISH : CLEAR CHEM FILM, MIL-C-5541, CLASS 3

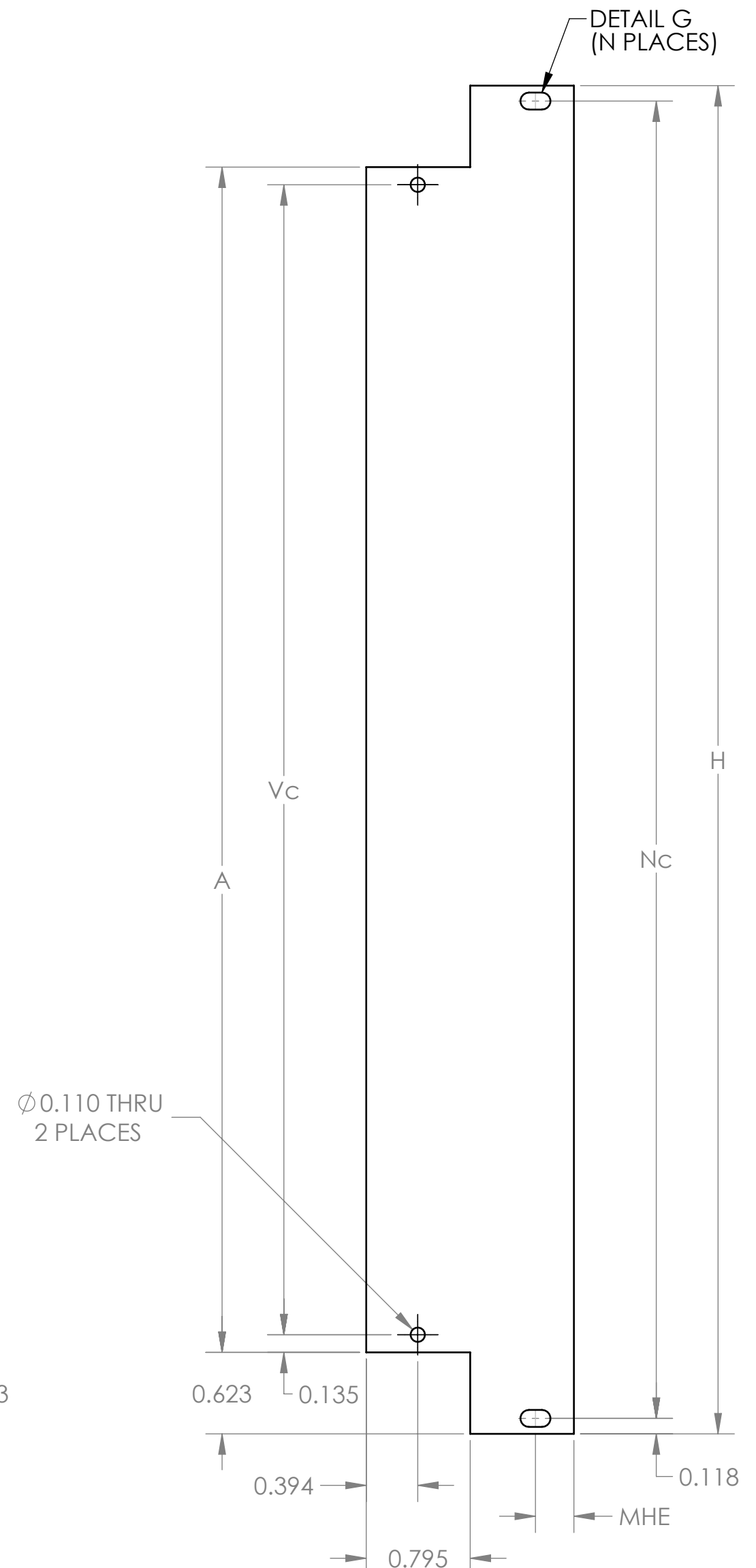
DIMENSIONS TABULATION								
PART NO	DESCRIPTION	H	W	MHE	Nc	Vc	A	PLACES N
FP52B4HP-1	3U X 4HP	-	0.788	0.294	-	4.183	4.436	1
FP52B5HP-1	3U X 5HP	5.059	0.988	0.445	-			1
FP52B8HP-1	3U X 8HP		1.588	0.294	4.823			3
FP52B12HP-1	3U X 12HP		2.388	0.294	4.823	3		
FP10B4HP-1	6U X 4HP	-	0.788	-	-	8.793	9.063	-
FP10B5HP-1	6U X 5HP	10.309	0.988	-	-			-
FP10B8HP-1	6U X 8HP		1.588	0.294	10.073			2
FP10B12HP-1	6U X 12HP		2.388	0.294	10.073	2		
FP15B4HP-1	9U X 4HP	-	0.788	-	-	14.043	14.313	-
FP15B5HP-1	9U X 5HP	15.559	0.988	-	-			-
FP15B8HP-1	9U X 8HP		1.588	0.294	15.323			2
FP15B12HP-1	9U X 12HP		2.388	0.294	15.323			2



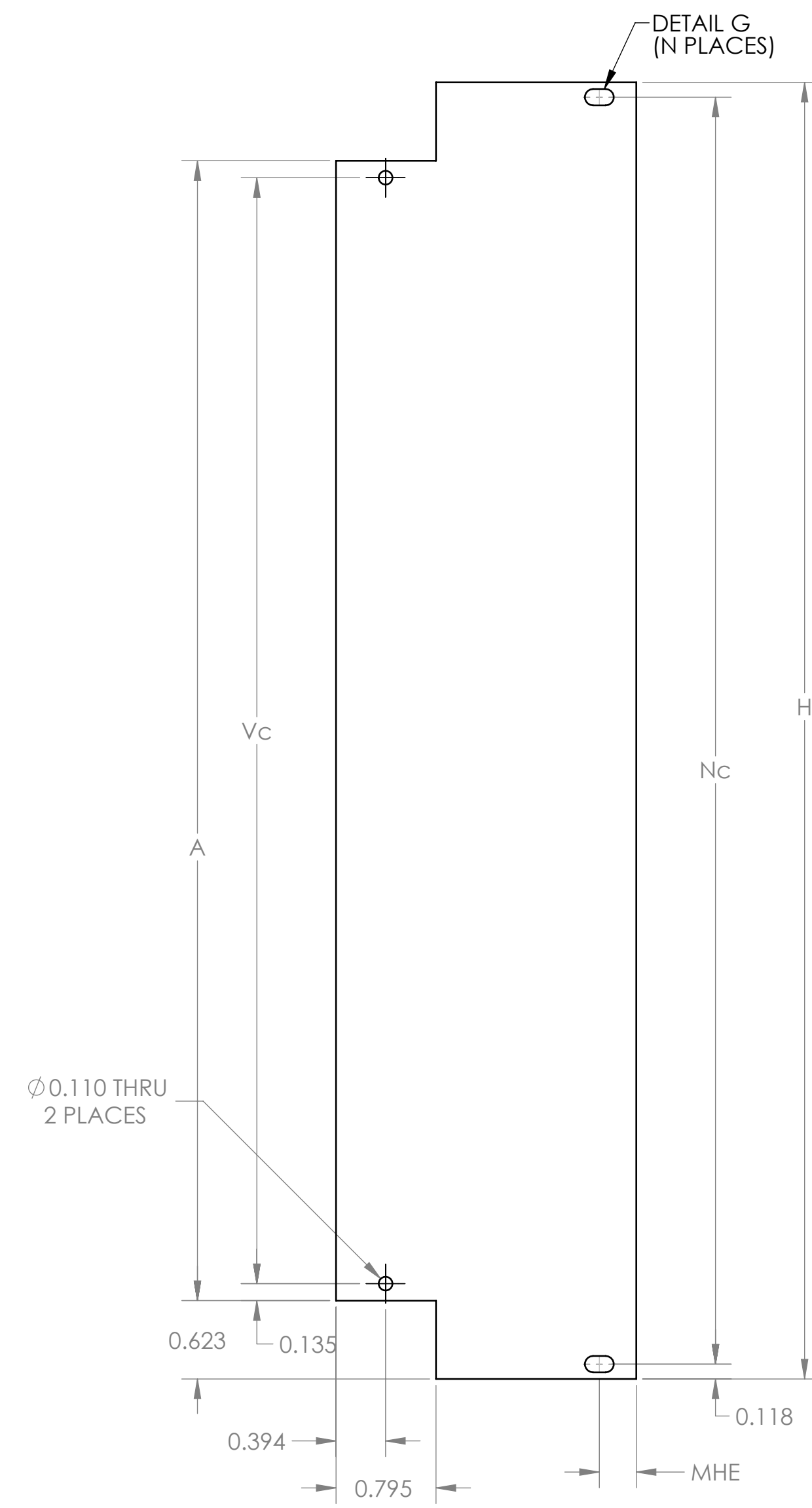
6U or 9U X 4HP



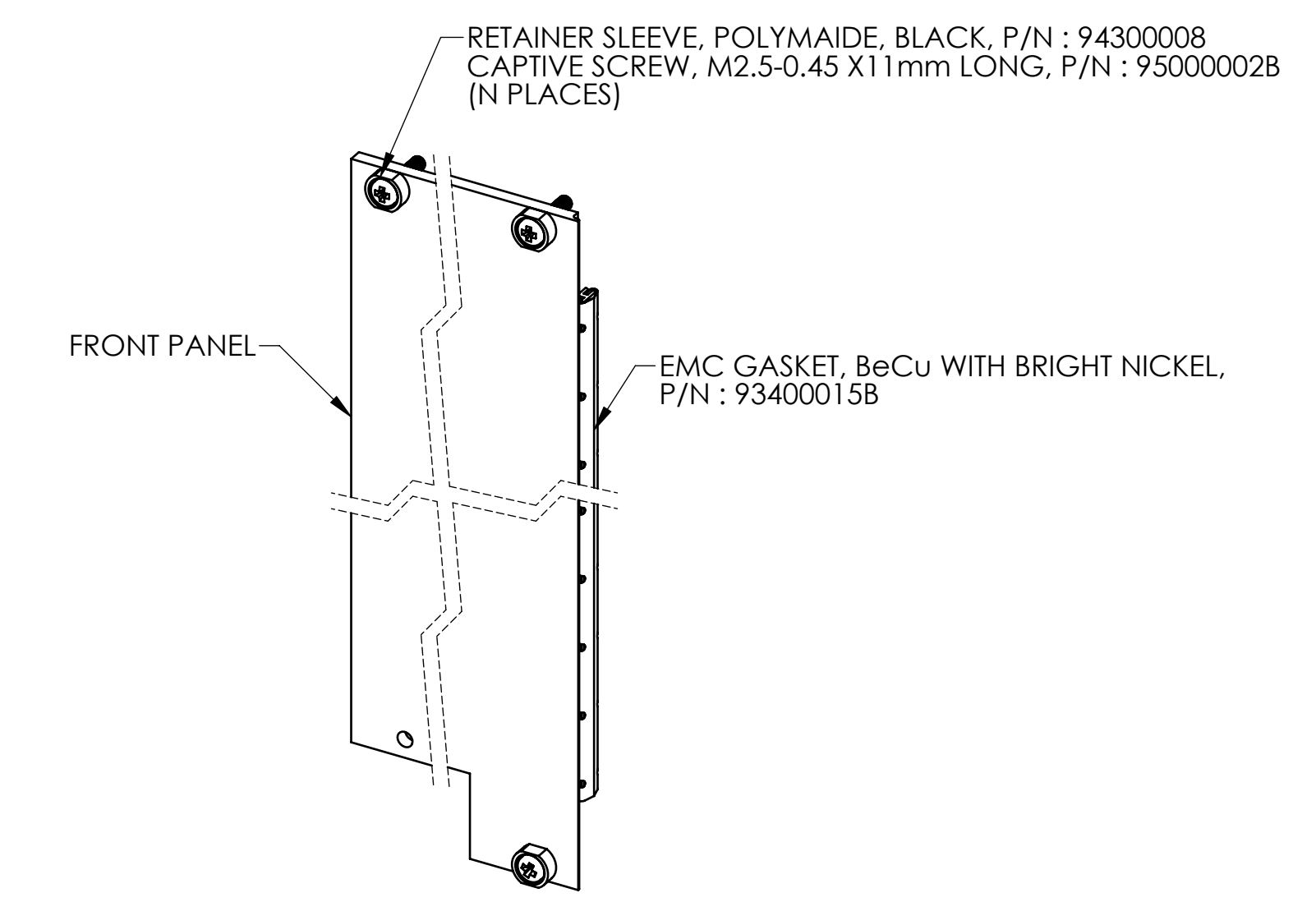
6U or 9U X 5HP



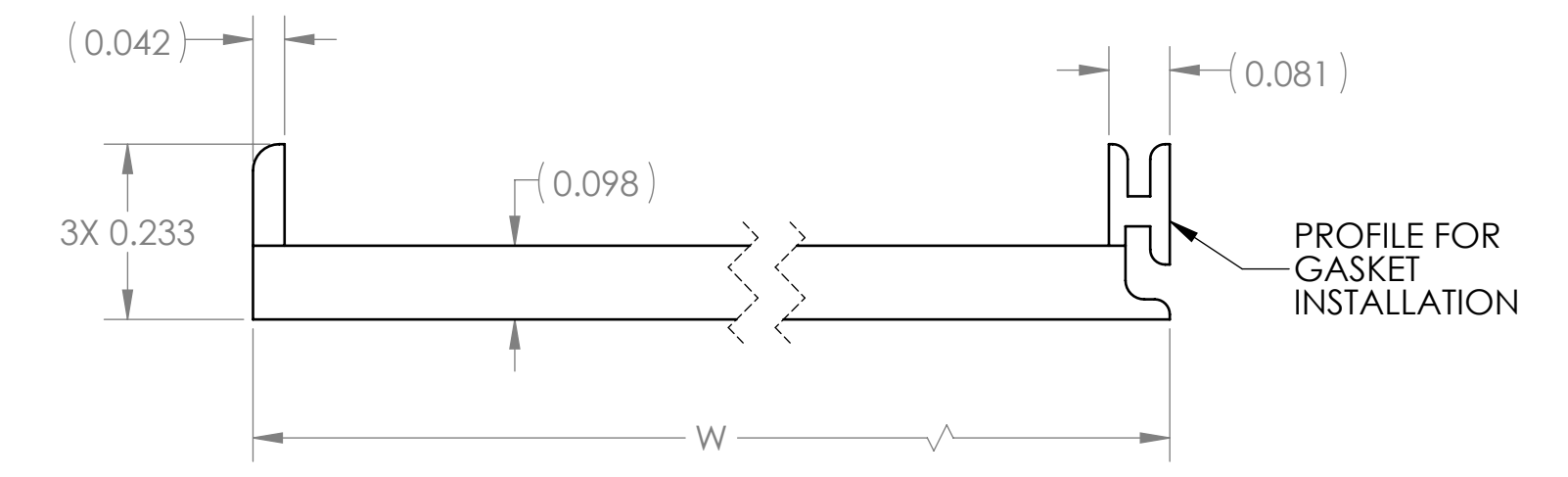
6U or 9U X 8HP



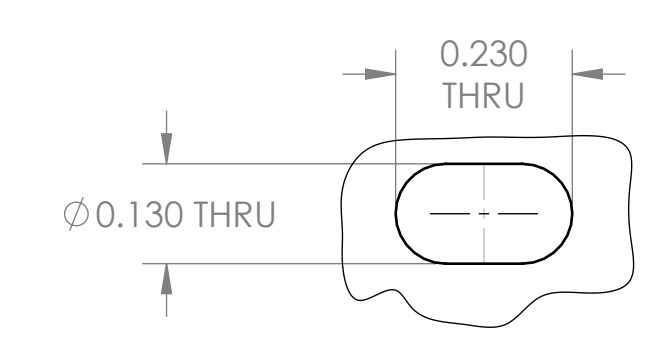
6U or 9U X 12HP



FPXXAXHP-1 FRONT PANEL ASSY



PANEL PROFILE DETAIL



DETAIL G
SCALE 4 : 1

VECTOR 11115 VANOWEN ST., NORTH HOLLYWOOD, CA 91605, www.vectorsect.com

EMC FRONT PANEL, 1101.10

SIZE	DWG. NO.	REV
D	FPXXBXHP-1	B

SCALE: 1:1 | CAGE CODE : 82893 | SHEET 2 OF 2