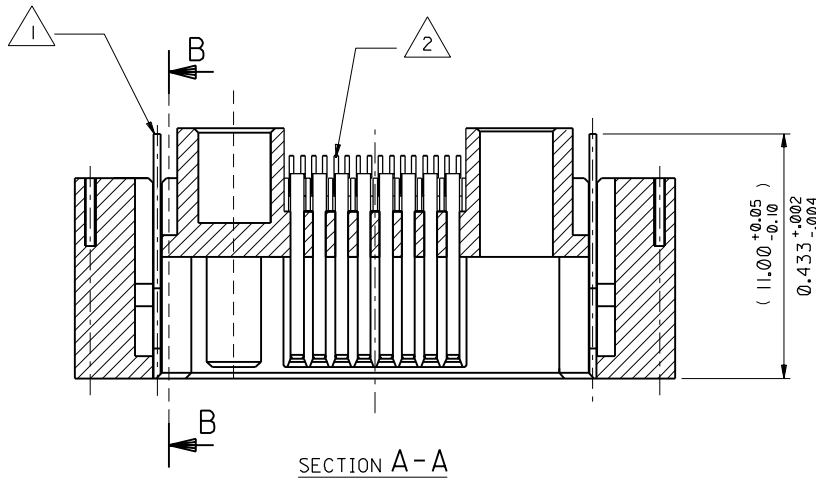
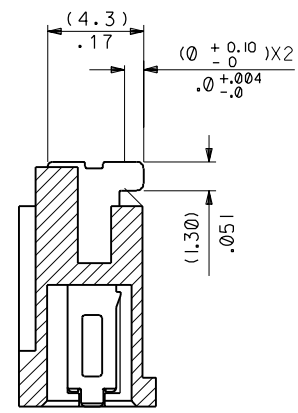


10 9 8 7 6 5 4 3 2 1

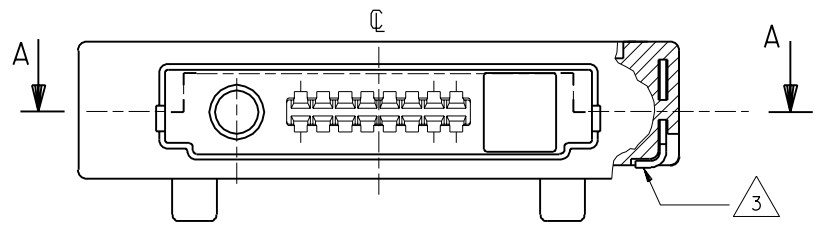
PART NO. **90811-0104**
 DWG. NO. **SDA-90811-0104**



SECTION A-A



SECTION B-B



FOR MISSING DIMENSIONS SEE DRAWING SDA-90811-0109

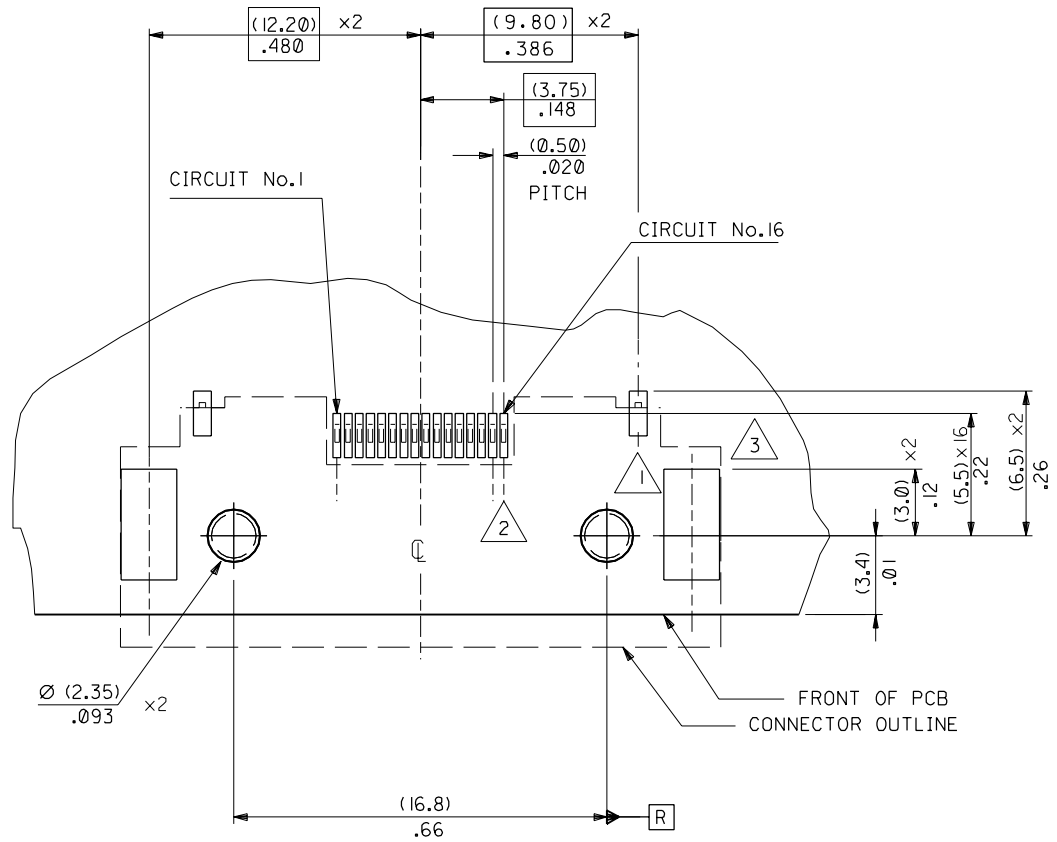
2	A
1	A
SH.	REV.




FOR PREVIOUS DRAWING ISSUES SEE MRI.

ORIGINAL RELEASE ECN E50434 95.03.29 HDU	DIMENSIONS SHOWN (METRIC) INCH UNLESS OTHERWISE SPECIFIED TOLERANCES: ANGULAR ± 1/2°	DRWG BY HDU												
LTR REVISIONS	<table border="1"> <thead> <tr> <th></th> <th>INCH</th> <th>(METRIC)</th> </tr> </thead> <tbody> <tr> <td>3 PLACE</td> <td>± .002</td> <td></td> </tr> <tr> <td>2 PLACE</td> <td>± .004</td> <td>± 0.05</td> </tr> <tr> <td>1 PLACE</td> <td></td> <td>± 0.10</td> </tr> </tbody> </table>		INCH	(METRIC)	3 PLACE	± .002		2 PLACE	± .004	± 0.05	1 PLACE		± 0.10	CHK'D BY
		INCH	(METRIC)											
3 PLACE	± .002													
2 PLACE	± .004	± 0.05												
1 PLACE		± 0.10												
A	DRAFT WHERE APPLICABLE MUST REMAIN WITHIN DIMENSIONS	APP'D BY												
	DESIGN DIMENSION <input checked="" type="checkbox"/> (MM) (PRIMARY) <input type="checkbox"/> IN.	SCALE												
	EQUIVALENT DIMENSION <input type="checkbox"/> (MM) (SECONDARY) <input checked="" type="checkbox"/> IN.	5:1												

REVISE ONLY ON CAD SYSTEM		THIS DRAWING CONTAINS INFORMATION THAT IS PROPRIETARY TO MOLEX INC. & SHOULD NOT BE USED WITHOUT WRITTEN PERMISSION	
TITLE I/O CONNECTOR FOR MOBILE PHONE			
MOLEX EUROPE		SHEET NO. 10F 2	DATE 95/03/29
PART NO. 90811-0104	DWG NO. SDA-90811-0104	SIZE B	

7132-1283 10 9 8 7 6 5 4 3 2 1




COMPONENT	PCB PAD DIMENSION	QTY
LOCKING LATCHES 	(0.80)/.031 x (2.0)/.079	Φ (0.10) / .004 R (x2)
SIGNAL CONTACTS 	(0.35 ± 0.05)/.014 ± 0.002 x (2.0)/.08	Φ (0.10) / .004 R (x16)
SMT RETENTION PADS 	(2.50)/.098 x (5.0)/.197	Φ (0.10) / .004 R (x2)

FOR PREVIOUS DRAWING ISSUES SEE MRI.

A SEE SHEET I.

LTR	REVISIONS	DIMENSIONS SHOWN (METRIC) INCH	
		INCH	(METRIC)
	3 PLACE	± .002	
	2 PLACE	± .004	± 0.05
	1 PLACE		± 0.10
DRAFT WHERE APPLICABLE MUST REMAIN WITHIN DIMENSIONS			
	DESIGN DIMENSION (PRIMARY)	<input type="checkbox"/> (MM)	<input type="checkbox"/> IN.
	EQUIVALENT DIMENSION (SECONDARY)	<input type="checkbox"/> (MM)	<input type="checkbox"/> IN.

DRWG BY HDU
CHK'D BY
APP'D BY
SCALE 5:1

REVISE ONLY ON CAD SYSTEM		SHL	REV.
CAD/CAM FILENAME P908114 DGN	THIS DRAWING CONTAINS INFORMATION THAT IS PROPRIETARY TO MOLEX INC. & SHOULD NOT BE USED WITHOUT WRITTEN PERMISSION		
TITLE I/O CONNECTOR FOR MOBILE PHONE			
 MOLEX EUROPE		SHEET NO. 20F	DATE 95/03/29
PART NO. 90811-0104	DWG NO. SDA-90811-0104	SIZE B	

PART NO. 90811-0104
DWG. NO. SDA-90811-0104