



## ZKETECH EBD-A20H DC Electronic Load/Battery Capacity & Discharge Tester/Power Supply Tester 30V 20A 200W

SKU 106990329

ZKETECH EBD-A20H is DC electronic load with multiple battery discharge modes and suitable for various battery capacity tests and power tests.

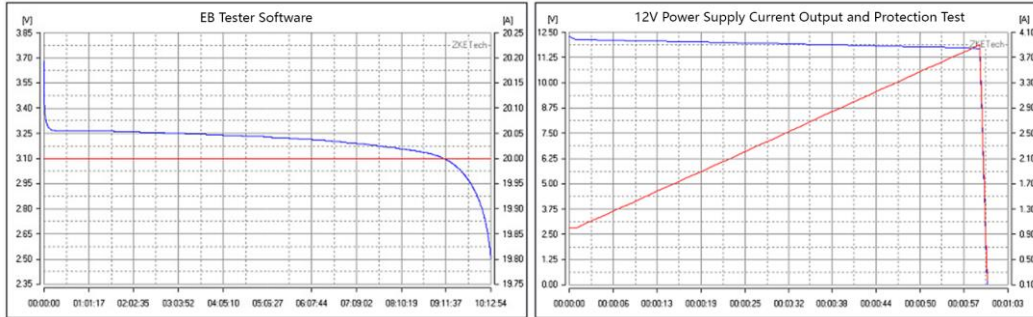
### Features

- Performs battery capacity, discharging and power performance tests
- Supports up to 30V/20A/200W
- Digital display of test data (voltage, current, capacity, time, power, energy)
- Four-wire connection method
- Built-in Fan for better heat dissipation
- Measurement representation through PC software

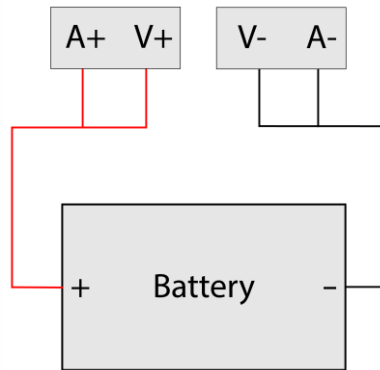
### Description

ZKETECH EBD-A20H is a DC electronic load with multiple battery discharge modes and suitable for various battery capacity tests and power tests.

A special software called “EB software” is used along with this device in order to precisely display the relevant test information. The software supports features such as curve drawing, computer control and can perform calibration benchmark tests, automatic current testing and firmware upgrades.



## Connection Diagram



### Note

The discharge current is limited by the maximum power, above 10V and below 20A, above 20V and below 10A

## Specifications

- Power Supply: DC 12V/1A
- Voltage Setting: 0.00-30.00V, minimum step is 0.01V
- Current Setting: 0.1-20.00A, minimum step is 0.01A (Current automatically limits when power is overrun)
- Test mode: DSC-CC: constant discharge current for testing battery capacity or supply current/ DSC-CP: Constant discharge power for simulating constant power equipment or testing power supply
- Voltage Test: 0.000-4.500V (low pressure) accuracy to 0.003V, error  $\pm 0.5\%$  / 4.50V-30.00V (high pressure) accuracy to 0.01V, error  $\pm 0.5\%$
- Current Test: 0.10-20.00A, accuracy to 0.01A, error  $\pm 0.5\%$
- Capacity Test: Within 10Ah, resolution is 0.001Ah/ 10Ah-100Ah resolution is 0.01Ah/ Above 100Ah resolution is 0.1Ah
- Discharge Power: Max 200W (It should be controlled within 90% for a long time working)

### Attention

- Positive and negative connections should not be reversed.
- Always use the tester within the allowed range.

### Parts List

- ZKETECH EBD-A20H DC Electronic Load/Battery Capacity & Discharge Tester/Power Supply Tester 30V 20A 200W
- Power Cable
- 4X Crocodile Test clips
- USB Interconnection Cable

### ECCN/HTS

HSCODE	9030841000
UPC	

### Documents

EB Software  
PL2303 Driver  
EB Software User Manual