

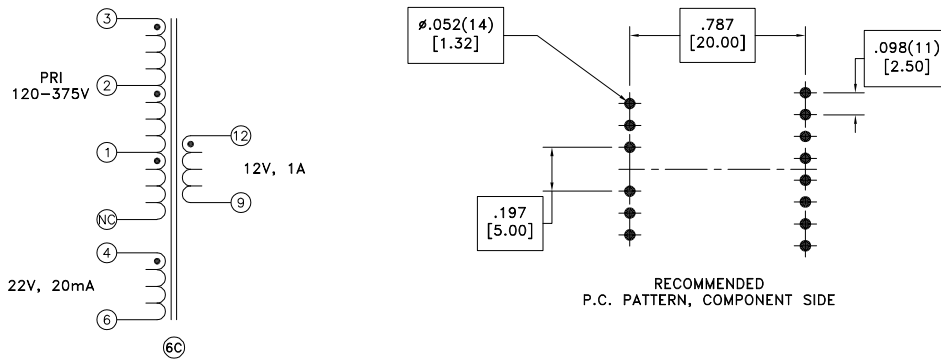
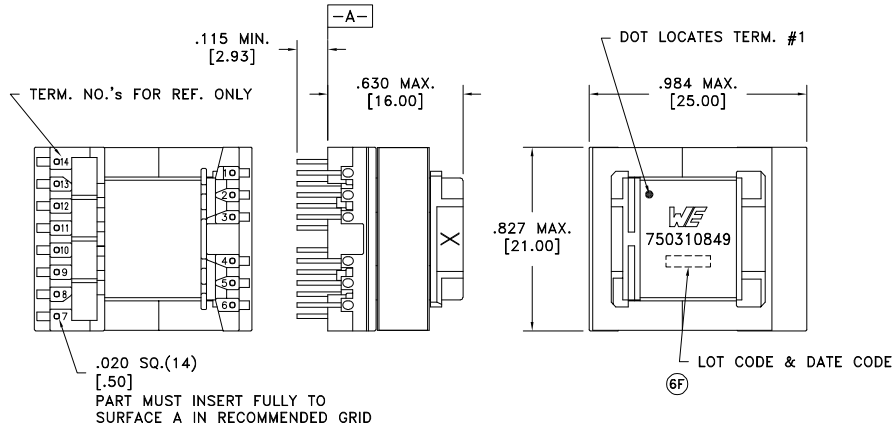
CUSTOMER TERMINAL	RoHS	LEAD(Pb)-FREE
Sn96%, Ag4%	Yes	Yes

more than you expect



ELECTRICAL SPECIFICATIONS @ 25°C unless otherwise noted:

PARAMETER	TEST CONDITIONS	VALUE
D.C. RESISTANCE	1-3 @20°C	0.62 ohms ±10%
D.C. RESISTANCE	4-6 @20°C	0.37 ohms ±10%
D.C. RESISTANCE	9-12 @20°C	0.021 ohms ±10%
INDUCTANCE	1-3 10kHz, 100mVAC, Ls	900uH ±10%
SATURATION CURRENT	20% rolloff from initial	900mA
LEAKAGE INDUCTANCE	1-3 tie(4+6, 9+12), 100kHz, 100mVAC, Ls	12.0uH max.
DIELECTRIC RATING	3-12 tie(1+4), 5000VAC, 1 second	4000VAC, 1 minute
TURNS RATIO	(2-1):(3-2)	1:1, ±1%
TURNS RATIO	(3-1):(4-6)	4:1, ±1%
TURNS RATIO	(3-1):(12-9)	8:1, ±1%



GENERAL SPECIFICATIONS:

- Designed to comply with the following requirements as defined by IEC61558-2-17 and IEC60950-1:
- Reinforced insulation for a primary circuit at a working voltage of 400V.

6F Wire insulation & RoHS status not affected by wire color.
Wire insulation color may vary depending on availability.

REV.	DATE	Packaging Specifications		Tolerances unless otherwise specified: Angles: ±1° Decimals: ±.005 [.13] Fractions: ±1/64 Footprint: ±.001 [.03]	DRAWING TITLE	PART NO.	
6F	1/23	Method: Tray			TRANSFORMER	750310849	
6E	6/14	PKG-0736			This drawing is dual dimensioned. Dimensions in brackets are in millimeters.	eiSos p/n: 750310849	
6D	3/12	www.we-online.com/midcom					
6C	5/11	SEE REVISION SHEET FOR REVISION LEVEL					