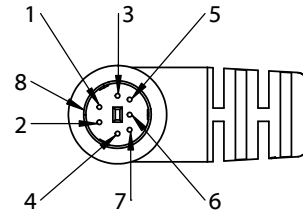
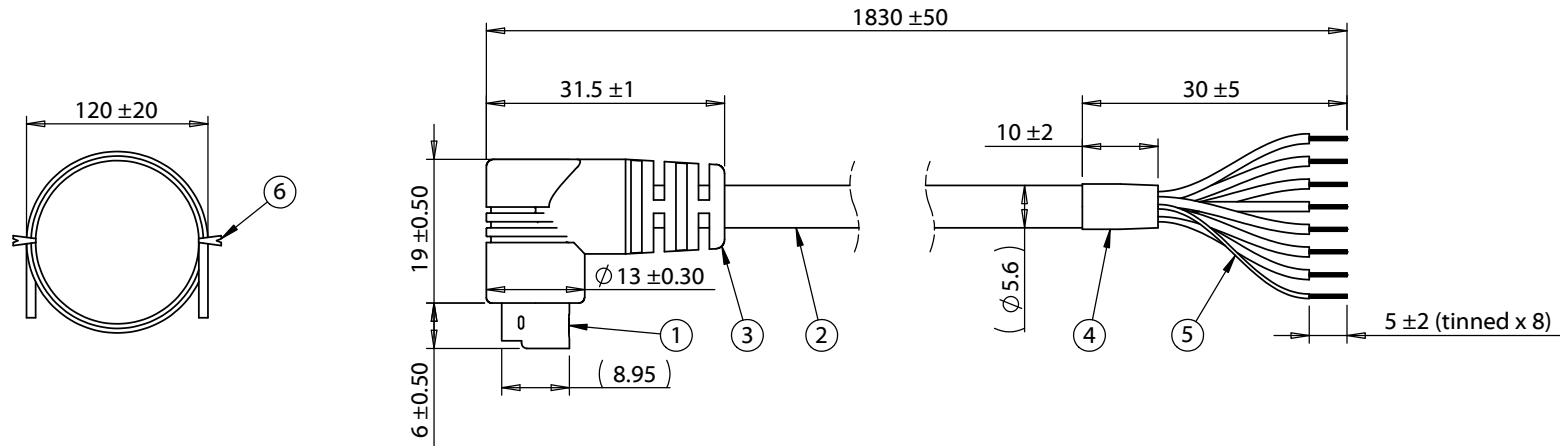


ITEM NO.	PART NUMBER	DESCRIPTION	QTY.	COMPONENT NOTES
1	50-00160	Connector, 7P mini DIN male, molding style, brass, nickel plating	1	
2	30-00064	Wire, 7C, 26 AWG, UL2464, 300V, 80C, 5.6 mm, shielded, VW-1, PVC, 79A	1	
3	24-00066	Overmold, PVC, plug, mini-DIN, 90°	1	black
4	Heat Shrink	Heat shrink tube, Ø5.0, L=10 ±2 mm	1	black
5	Heat Shrink	Heat shrink tube, Ø1.0, L=30 ±5 mm	1	black, covers drain wire
6	Tie	Twist tie	2	black



Wiring Diagram	
50-00160	wire color
1	purple
2	red
3	brown
4	black
5	green
6	yellow
7	orange
8	drain/black

Notes:

Electical requirement: 300 mA, 12 Vdc

Revision:	Date:	Description:	Prepared:	Notes:	<h1>TENSILITY</h1> <p>tel 1.541.323.3228 800 877.670.7118 fax 1.541.323.4202 web tensility.com</p>
A	3/10/2011	Initial release	GL <small>Digitally signed by GL Date: 2017.06.06 16:04:47 -07'00'</small>	RoHS and REACH compliant	
A1	5/17/2017	Modified overmold dimensions and corrected connector OD	DN <small>Digitally signed by DN Date: 2017.06.06 16:04:47 -07'00'</small>	Function test: no open, no short circuit, no intermittent	
			Dimensions are in millimeters. Tolerances: X: ± 0.5 mm X.X: ± 0.3 mm X.XX: ± 0.05 mm	Description: Cable, 1830 mm, 7P 90° mini-DIN male 50-00160, to stripped tinned, 26 AWG, UL2464 30-00064, shielded	
				Size: A	Part number: 10-00543
				Scale: 1:1	Sheet 1 of 1