



ANATECH ELECTRONICS, INC.

Manufacturer of RF & Microwave Filters and Products



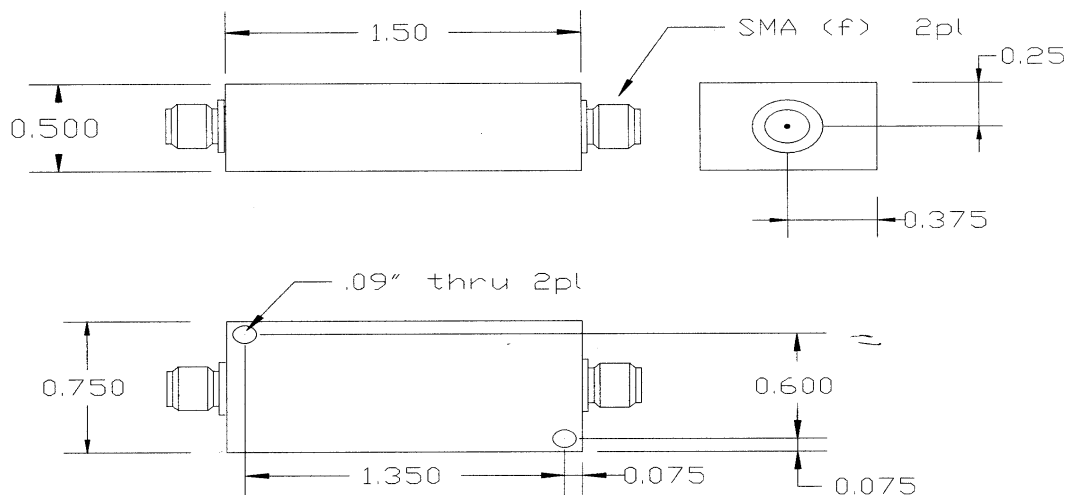
184 MHz Bandpass Filter

Part Number: AE184B6438

Specifications:

Center Frequency: 184 MHz
Insertion Loss @ 175-182 MHz : <1dB
Return Loss Passband >14dB
Rejection >40dB @ 0-70 MHz
>20dB @ 120 MHz
>20dB @ 250 MHz
>40dB @ 350-1300 MHz

Outline Drawing:



DWG 986420 ajs 1/99

Outline Drawing

Anatech Electronics Inc.

ANATECH ELECTRONICS INC. 70 Outwater Lane, Garfield, NJ 07026 Tel: (973) 772-4242 Fax: (973) 772-4646

E-Mail: sales@anatechelectronics.com Website: www.anatechelectronics.com