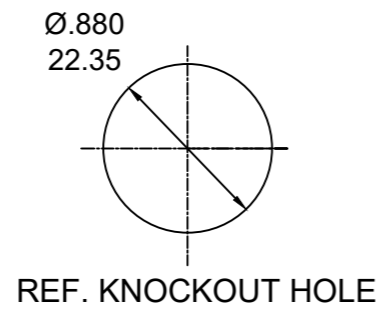
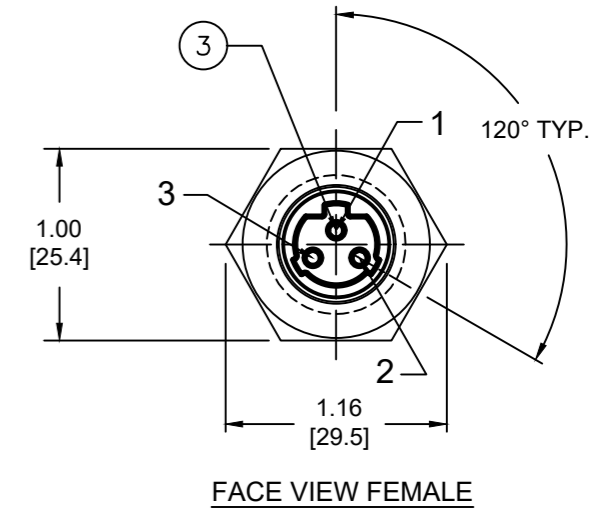
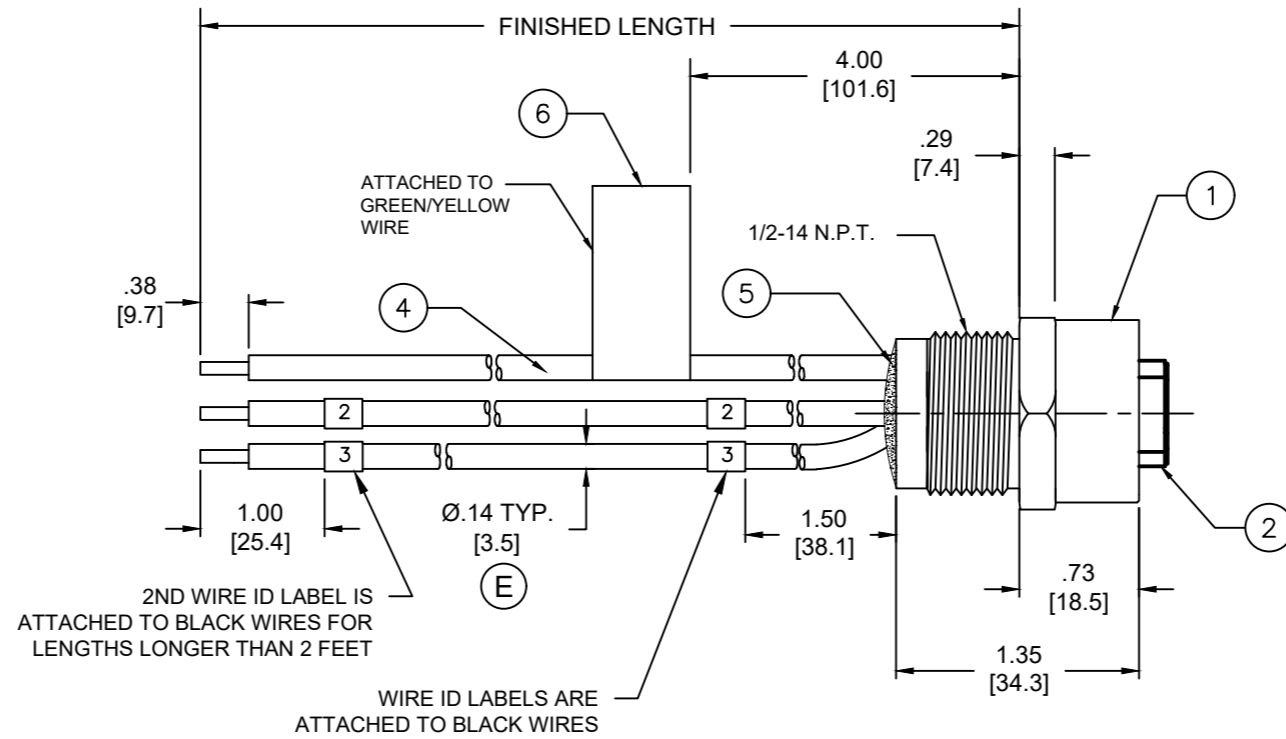


PART NO	ENGINEERING NO.	FINISHED LENGTH
1300662026	1R3100A83M005G	0.5M [1 FT 8 IN]
1300660321	1R3100A83M020G	2M [6 FT 7 IN]
1300662029	1R3100A83M040G	4M [13 FT 1 IN]



PART NO. MATRIX
1R3100A83M020G

FINISHED LENGTH:
M005= 0.5 METER
M010= 1 METER
M100= 10 METER

GREEN/YELLOW	1
BLACK #2	2
BLACK #3	3

WIRING DIAGRAM

- NOTES:
- MATERIAL: AS NOTED
 - FINISH: AS NOTED
 - ELECTRICAL:
VOLTAGE: 500V PER IEC60664
600V PER UL2237
CURRENT: 15A
 - TEMP RATING: -20°TO +105°C (E)
 - PROTECTION: IP67 (WHEN MATED)
 - COUPLING THREAD: 7/8-16UN
 - UL LISTED FILE: E258922 (E)
 - ALL DIMENSIONS ARE FOR REFERENCE
UNLESS TOLERANCED OR NOTED OTHERWISE

CABLE LENGTH TOLERANCES

<.3M [1FT]:	+19mm-0 [+ .75in-0]
.3 - .9M [1 - 3FT]:	+44.5mm-0 [+1.75in-0]
.9 - 1.8M [3 - 6FT]:	+55.6mm-0 [+2.19in-0]
1.8 - 3.7M [6 - 12FT]:	+88.9mm-0 [+3.50in-0]
3.7 - 7.3M [12 - 24FT]:	+165.1mm-0 [+6.50in-0]
7.3-14.6M [24 - 48FT]:	+317.5mm-0 [+12.50in-0]
14.6 - 30.5M [48-100FT]:	+622.3mm-0 [+24.50in-0]
OVER 30M [100FT]	+2% OF FINISHED LENGTH

ITEM	DESCRIPTION	MATERIAL	FINISH
6	FLAG LABEL	VINYL	BLACK/YELLOW
5	POTTING MATERIAL	EPOXY	
4	WIRE, 14 AWG (UL1015)	PVC INSULATION	SEE WIRE DIAGRAM
3	CONTACT SOCKET	COPPER ALLOY	GOLD PLATED
2	FEMALE INSERT	TPE	BLACK
1	RECEPTACLE SHELL	ZINC DIE-CAST	NICKEL PLATED

FUNCTIONAL SYMBOLS	THIS DRAWING CONTAINS INFORMATION THAT IS PROPRIETARY TO MOLEX ELECTRONIC TECHNOLOGIES, LLC AND SHOULD NOT BE USED WITHOUT WRITTEN PERMISSION		CURRENT REV DESC: ITEM #2 WAS PVC. ADDED UL NUMBER. MODIFIED TEMP RATING AND MATERIAL NUMBER CHART			
	$F_A=0$ $F_C=0$ $F_P=0$	DIMENSION UNITS INCH/MM				
DIVISIONAL SYMBOLS	GENERAL TOLERANCES (UNLESS SPECIFIED)		EC NO: 663067		BRAD POWER RECEPTACLE A-SIZE	
	4 PLACES ±--- ±--- 3 PLACES ±--- ±--- 2 PLACES ±--- ±--- 1 PLACE ±--- ±--- 0 PLACES ±--- ±---	mm INCH ±--- ±--- ±--- ±--- ±--- ±--- ±--- ±---	DRWN: ABENJAMINLW 2021/01/04 CHK'D: RSTONE 2021/05/06 APPR: BWOODMAN 2021/05/13	3 POLE, FEMALE, TRI-KEY, #14 AWG, PVC WIRES	PRODUCT CUSTOMER DRAWING	
ANGULAR TOL ± --- °		INITIAL REVISION:		DOCUMENT NUMBER		
DRAFT WHERE APPLICABLE MUST REMAIN WITHIN DIMENSIONS		THIRD ANGLE PROJECTION		SD-130066-071		
		DRAWING B-SIZE		DOC TYPE/DOC PART/REVISION		
		SERIES 130066		PSD 001 E		
		MATERIAL NUMBER		SHEET NUMBER		
		CUSTOMER GENERAL MARKET		1 OF 1		