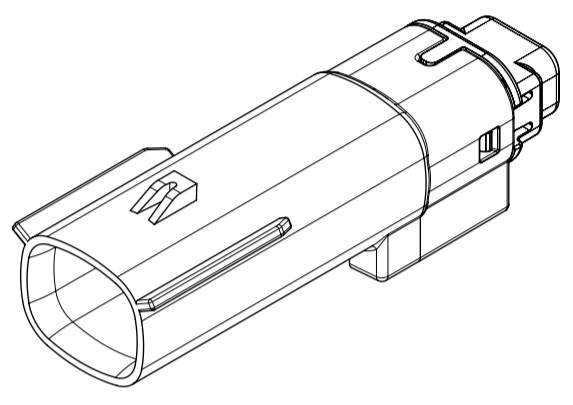


| TABLE OF CONTENTS | |
|-------------------|--------------------------|
| SHEET NO. | SHEET DESCRIPTION |
| 1 | NOTES AND BOM |
| 2 | CONFIGURATIONS |
| 3-4 | KEY CONFIGURATIONS |
| 5 | BLADE SEALED ASSEMBLY |
| 6 | SYSTEM PACKAGING |
| 7 | BACKSHELL NOTES |
| 8 | BACKSHELL |
| 9 | BACKSHELL CONFIGURATIONS |

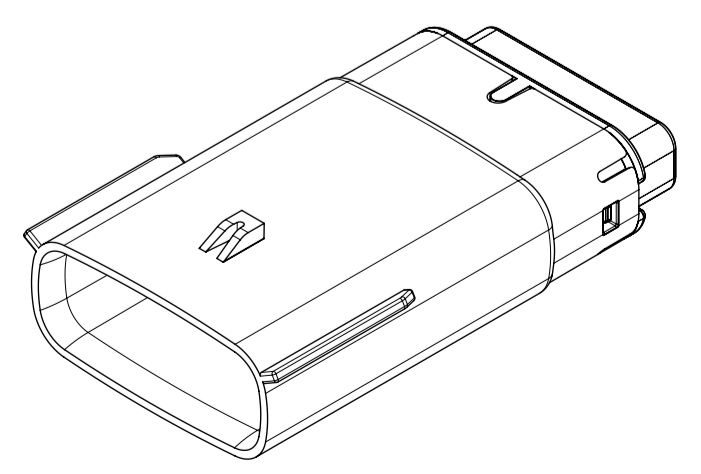
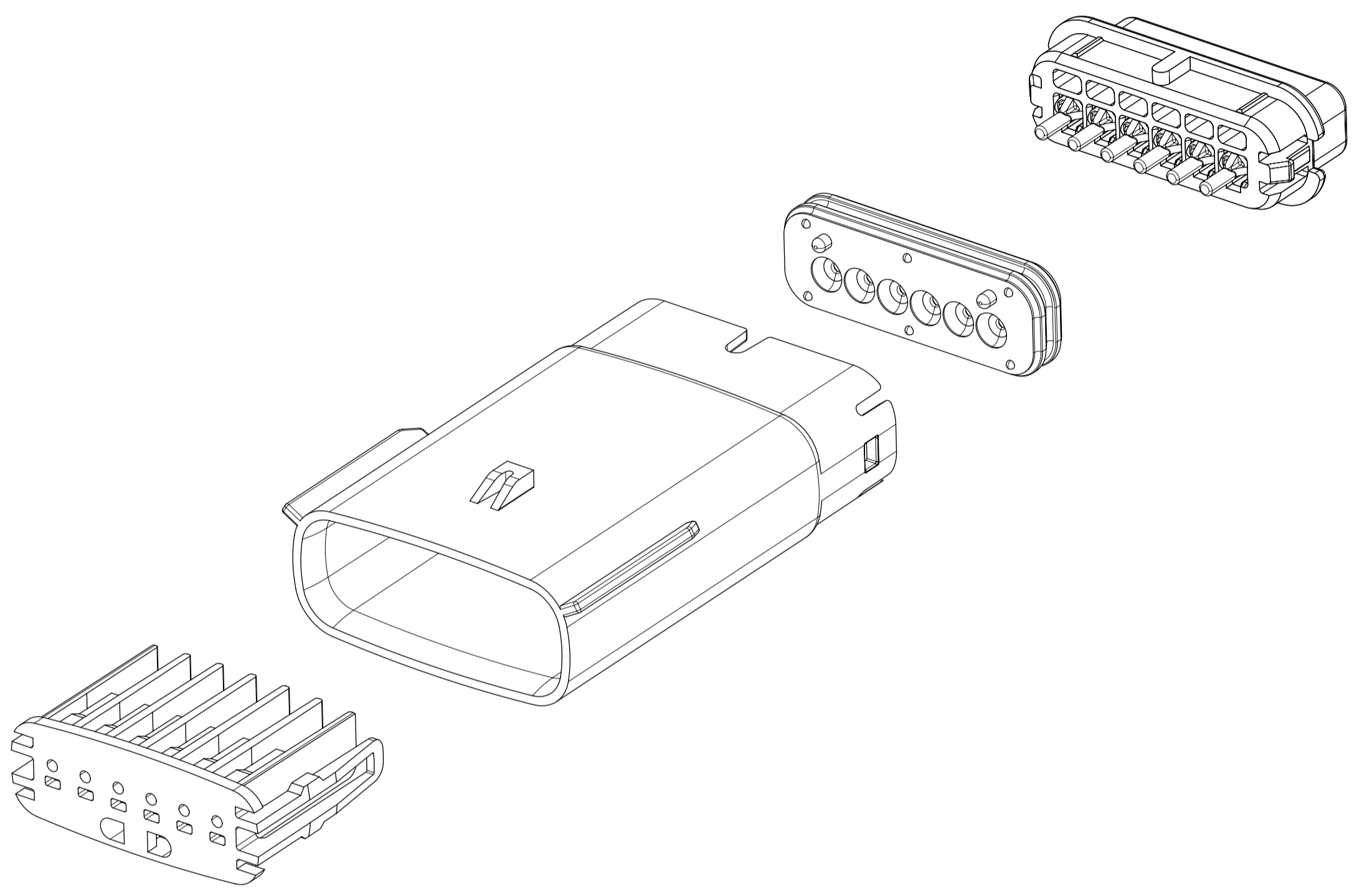
| MATING CONNECTOR DRAWINGS | |
|---------------------------|---------------|
| DESCRIPTION | MOLEX INLINE |
| 1X2 | SD-33471-0001 |
| | |
| | |
| | |
| 1X6 | SD-33471-0001 |

NOTES: VALID UNLESS OTHERWISE SPECIFIED

1. GENERAL:
- a. APPLICATION SPECIFICATION SEE: AS-33472-100
- CONTAINS: PRODUCT INTRODUCTION, PRODUCT SUMMARY, CONNECTOR ASSEMBLY, PACKAGING INFORMATION, CONNECTOR MATING, SERVICE INSTRUCTIONS, ELECTRICAL CONTINUITY CHECKING, CRIMPING, AND TROUBLESHOOTING.
 - DESIGNED TO MATE WITH RECEPTACLE SEALED ASSEMBLY AS SPECIFIED IN THE MATING CONNECTOR DRAWINGS CHART.
 - *DENOTES DRAWINGS THAT CAN BE ACCESSED AT <http://ewcap.uscarteams.org/>
 - ASSEMBLY SHIPPED WITH PLR IN PRE-LOCK POSITION (SEE PLR PRE-LOCK VIEW SHEET 5).
- b. PRODUCT SPECIFICATION SEE:
- STANDARD CONFIGURATION: PS-33471-000
 - UL V0 CONFIGURATION: PS-160105-0001
 - CONTAINS: PRODUCT INTRODUCTION, PRODUCT SUMMARY, RATINGS (CURRENT, TEMPERATURE, SEALING, AND FLAMMABILITY), TERMINALS, WIRE DIAMETER RANGE, PRODUCT VALIDATION, AND PRODUCT DEVIATIONS.
- c. PACKAGING SPECIFICATION PER MOLEX DRAWING: PK-31300-635 (PK-33471-000 FOR 1X5)
- d. PARTS MUST BE IN COMPLIANCE TO MOLEX CHEMICAL SUBSTANCES FOR PRODUCTS AND PACKAGING SPECIFICATION: QEHS-699000-300
- e. DATA MUST BE SUBMITTED UNDER THE MOLEX PART NUMBER TO IMDS (COMPANY ID#13255)
2. DESIGN - MATERIALS:
- a. FOR BILL OF MATERIALS SEE:
- STANDARD CONFIGURATION: SD-33481-0002
 - UL V0 CONFIGURATION: SD-160106-0002
3. DESIGN - GEOMETRY:
- a. THE 3-D CAD DATA IS BASIC (WITHOUT TOLERANCE) AND MASTER FOR THIS PART WITH THE EXCEPTION OF UNDERLINED DIMENSIONS. DIMENSIONAL INFORMATION NOT SHOWN ON THIS DRAWING IS DEFINED BY THE DATA FILE AT ITS LATEST REVISION.
- b. GEOMETRIC DIMENSIONS AND TOLERANCES PER ASME Y14.5M-2009
- c. EDGES AND UNDIMENSIONED DETAILS PER ISO13715
- d. CORNERS SHOWN AS SHARP TO BE R 0.2 MAX.
- e. LETTERING SHALL BE 0.15 MAX RAISED IN 0.25 MAX RECESS PAD. THIS INCLUDES RECYCLING CODE, CAVITY ID, VENDOR IDENTIFICATION, AND CUSTOMER MATERIAL NUMBER.
- f. VISUAL DEFECTS SHALL MEET COSMETIC STANDARD PS-45499-002 (Class B).
- g. LASER MARKING:
- PART NUMBER
 - DAY OF THE YEAR
 - SHIFT
 - YEAR
- FOR ADDITIONAL INFORMATION SEE SECTION 5 UNDER PROCEDURES IN ES-34735-008.



1X2

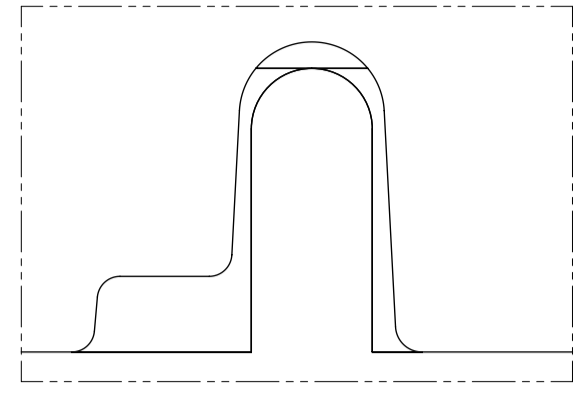


1X6

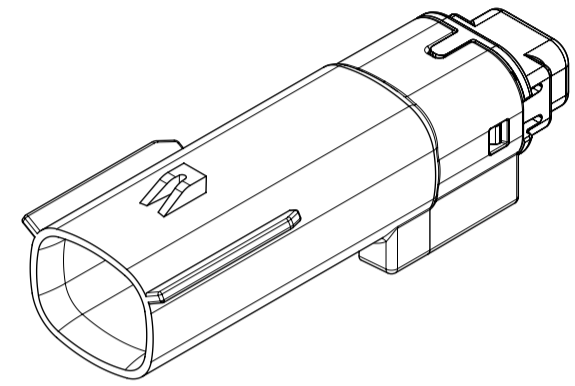
| INSPECTION NUMBER LOG | |
|-----------------------|--|
| LAST NUMBER: 9 | ADDED: |
| 1 | INITIAL RELEASE |
| 2 | UPDATED VIEWSETS |
| A1 | NX REMASTERING , CHANGE PS DRAWING NUMBER FROM PS-160105-0001 TO PS-160074-0001 IN NOTES 1.b |
| A | MINOR GEOMETRY CHANGE FOR UL V0 |
| REV | REV DESCRIPTION |

| | | | | |
|---|---|---|--|---|
| SYMBOLS = 0 = 0 = 0 = 0 = 0 = 0 = 0 = 0 = 0 | THIS DRAWING CONTAINS INFORMATION THAT IS PROPRIETARY TO MOLEX ELECTRONIC TECHNOLOGIES, LLC AND SHOULD NOT BE USED WITHOUT WRITTEN PERMISSION DIMENSION UNITS: MM ONLY SCALE: 1.5:1 | CURRENT REV DESC: EC NO: 602373 DRWN: DSHETTY01 2018/05/25 CHK'D: MVANSLAMBROU 2018/10/04 APPR: MVANSLAMBROU 2018/10/04 INITIAL REVISION: DRWN: APROFFITT 2015/07/21 APPR: KDEKOSKI 2016/06/14 | MX150 BLADE SINGLE ROW SEALED ASSY MAT SEAL PRODUCT CUSTOMER DRAWING | |
| | GENERAL TOLERANCES (UNLESS SPECIFIED) ANGULAR TOL ± 1.0° 4 PLACES ± 3 PLACES ± 2 PLACES ± 0.1 1 PLACE ± 0.2 0 PLACES ± | DRAFT WHERE APPLICABLE MUST REMAIN WITHIN DIMENSIONS THIRD ANGLE PROJECTION DRAWING: A1-SIZE SERIES: 33481 | DOCUMENT NUMBER: SD-33481-0001 DOC TYPE: PSD DOC PART: 001 REVISION: A1 | MATERIAL NUMBER: SEE NOTE 2a. CUSTOMER: GENERAL MARKET SHEET NUMBER: 1 OF 9 |
| | DOCUMENT STATUS: P1 RELEASE DATE: 2018/10/04 15:02:02 | MOLEX ELECTRONIC TECHNOLOGIES, LLC | | |
| | 18 17 16 15 14 13 12 11 10 9 8 7 6 5 4 3 2 1 | | | |

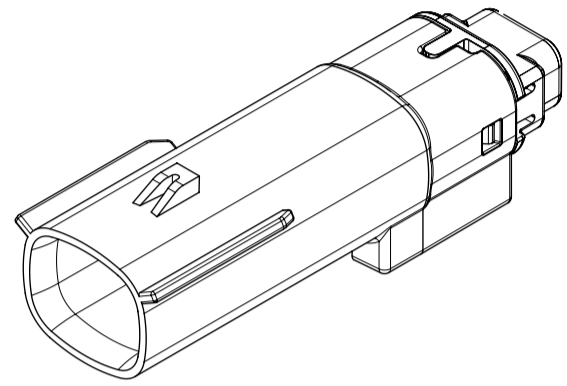
SHEET DESCRIPTION
CONFIGURATIONS



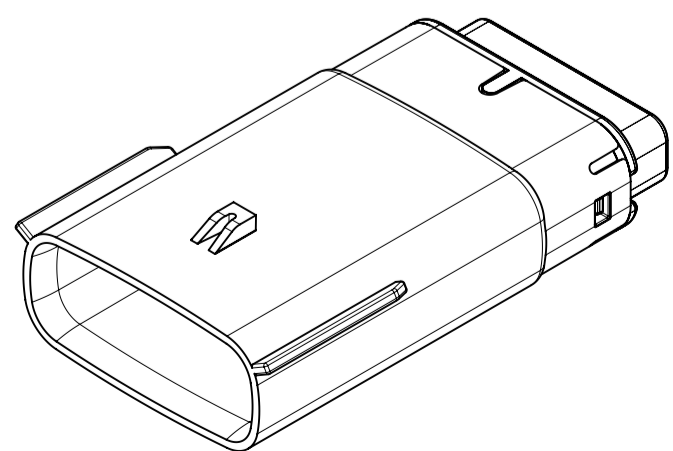
UL V0 UNIQUE FEATURE
Partial1
SCALE 10:1



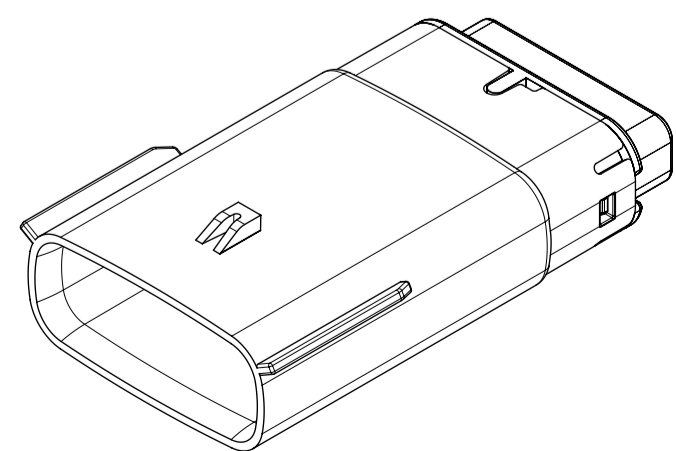
1x2 - STD



1X2 - UL V0*



1x6 - STD

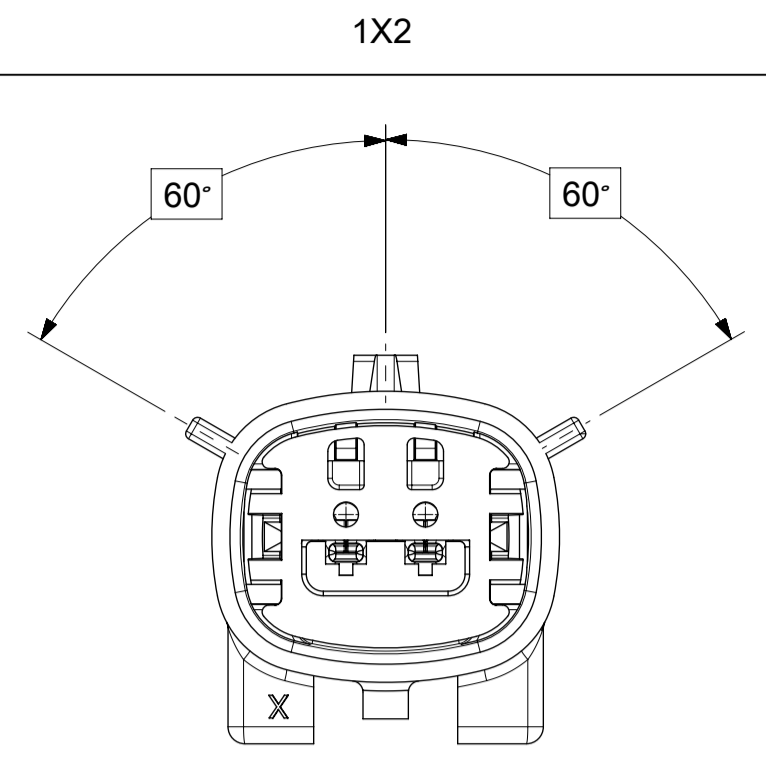


1x6 - UL V0*

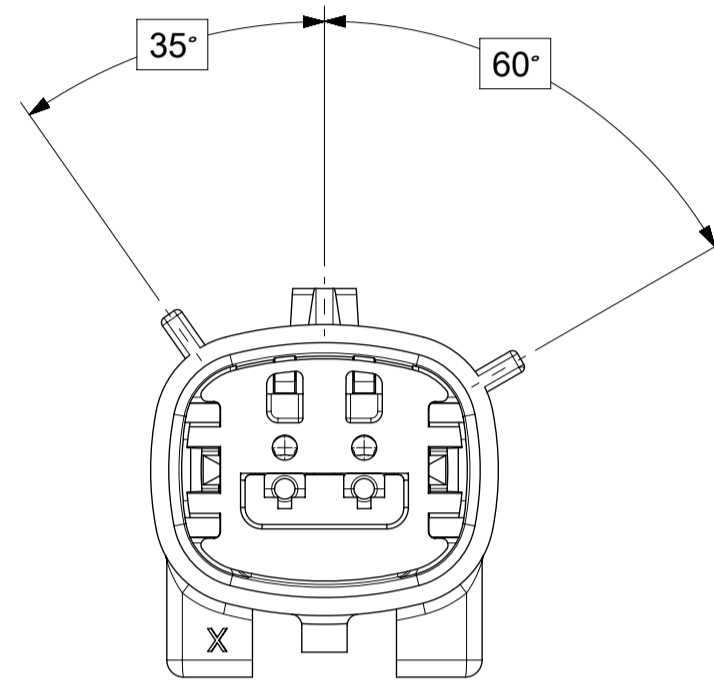
* MINOR GEOMETRY DIFFERENCE THAN STANDARD CONFIGURATION.
SEE NOTES 1 & 2 FOR MORE INFORMATION

| | | | | | | | |
|--|---|---------|--------------------------------|--------|--|-----|-----|
| SYMBOLS = 0 = 0 = 0 = 0 = 0 = 0 = 0 = 0 = 0 = 0 | THIS DRAWING CONTAINS INFORMATION THAT IS PROPRIETARY TO MOLEX ELECTRONIC TECHNOLOGIES, LLC AND SHOULD NOT BE USED WITHOUT WRITTEN PERMISSION | | CURRENT REV DESC: | | MX150 BLADE SINGLE ROW SEALED ASSY MAT SEAL | | |
| | DIMENSION UNITS | SCALE | EC NO: 602373 | | | | |
| | MM ONLY | 1.5:1 | DRWN: DSHETTY01 2018/05/25 | | SD-33481-0001 | PSD | 001 |
| | GENERAL TOLERANCES (UNLESS SPECIFIED) | | CHK'D: MVANSLAMBROU 2018/10/04 | | REVISION | | |
| | ANGULAR TOL ± 1.0° | | APPR: MVANSLAMBROU 2018/10/04 | | A1 | | |
| | 4 PLACES ± | | INITIAL REVISION: | | MATERIAL NUMBER | | |
| | 3 PLACES ± | | DRWN: APROFFITT 2015/07/21 | | SEE NOTE 2a. | | |
| | 2 PLACES ± 0.1 | | APPR: KDEKOSKI 2016/06/14 | | CUSTOMER | | |
| | 1 PLACE ± 0.2 | | DRAWING | | SHEET NUMBER | | |
| | 0 PLACES ± | | THIRD ANGLE PROJECTION | | GENERAL MARKET | | |
| DRAFT WHERE APPLICABLE MUST REMAIN WITHIN DIMENSIONS | | DRAWING | | 2 OF 9 | | | |
| | | SERIES | | | | | |
| | | A1-SIZE | | | | | |
| | | 33481 | | | | | |

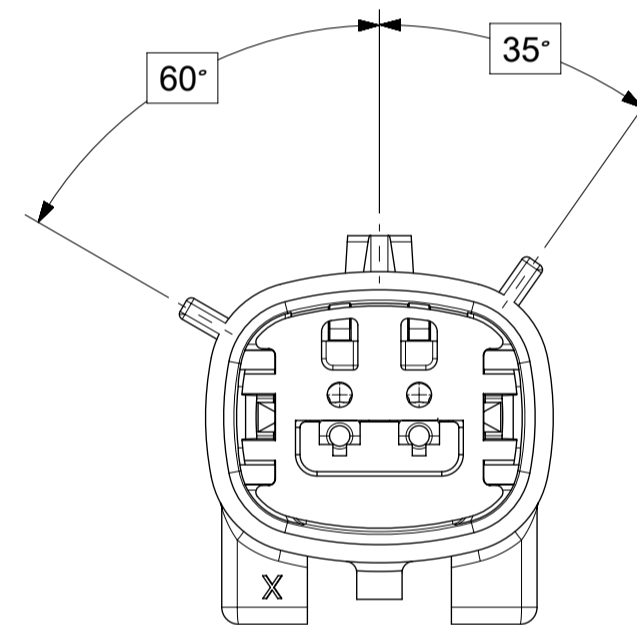
SHEET DESCRIPTION
KEY CONFIGURATIONS



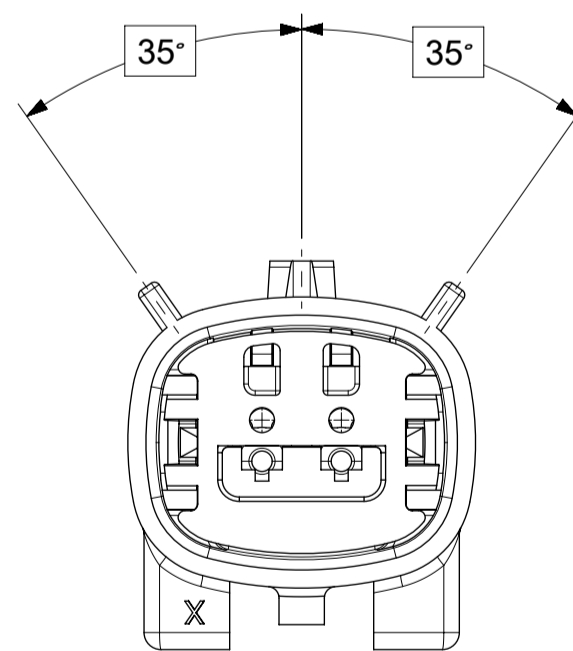
KEY A



KEY B



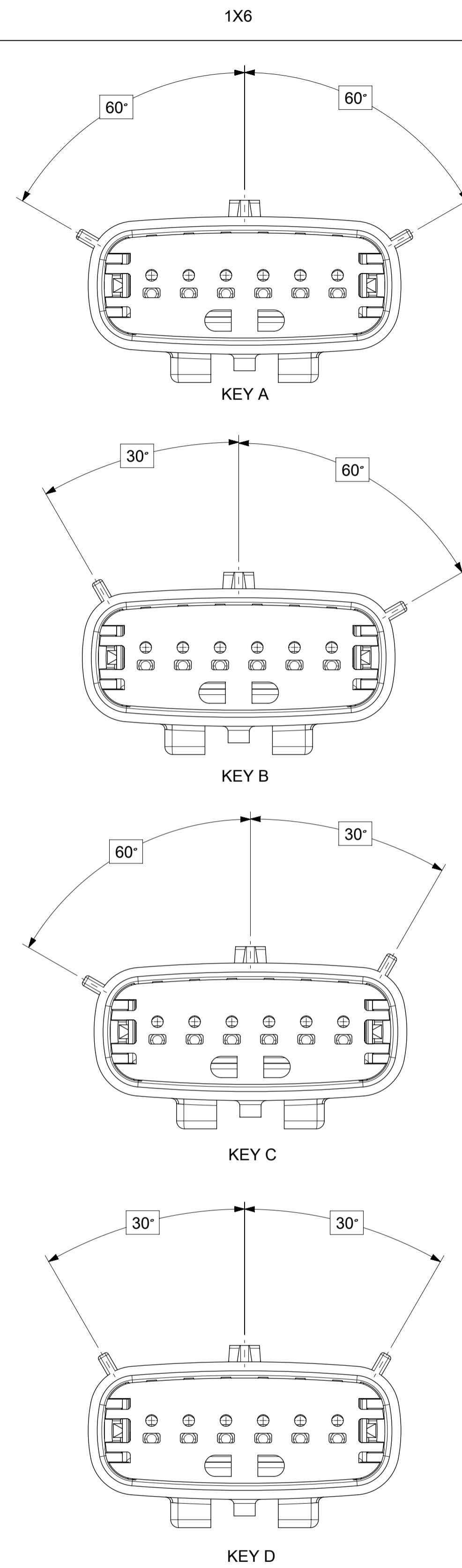
KEY C



KEY D

| | | | | | | | |
|--|---|---|--|------------------------|---------------------------------|--|---|
| SYMBOLS = 0 = 0 = 0 = 0 = 0 = 0 = 0 = 0 = 0 = 0 | THIS DRAWING CONTAINS INFORMATION THAT IS PROPRIETARY TO MOLEX ELECTRONIC TECHNOLOGIES, LLC AND SHOULD NOT BE USED WITHOUT WRITTEN PERMISSION DIMENSION UNITS: MM ONLY SCALE: 3:1 | CURRENT REV DESC: EC NO: 602373 DRWN: DSHETTY01 2018/05/25 CHK'D: MVANSLAMBROU 2018/10/04 APPR: MVANSLAMBROU 2018/10/04 | MX150 BLADE SINGLE ROW SEALED ASSY MAT SEAL | | | | |
| | GENERAL TOLERANCES (UNLESS SPECIFIED) ANGULAR TOL ± 1.0° | 4 PLACES ± 3 PLACES ± 2 PLACES ± 0.1 1 PLACE ± 0.2 0 PLACES ± | | | | INITIAL REVISION: DRWN: APROFFITT 2015/07/21 APPR: KDEKOSKI 2016/06/14 | DOCUMENT NUMBER SD-33481-0001 |
| | DRAFT WHERE APPLICABLE MUST REMAIN WITHIN DIMENSIONS | THIRD ANGLE PROJECTION | DRAWING A1-SIZE | SERIES 33481 | MATERIAL NUMBER SEE NOTE 2a. | CUSTOMER GENERAL MARKET | SHEET NUMBER 3 OF 9 |

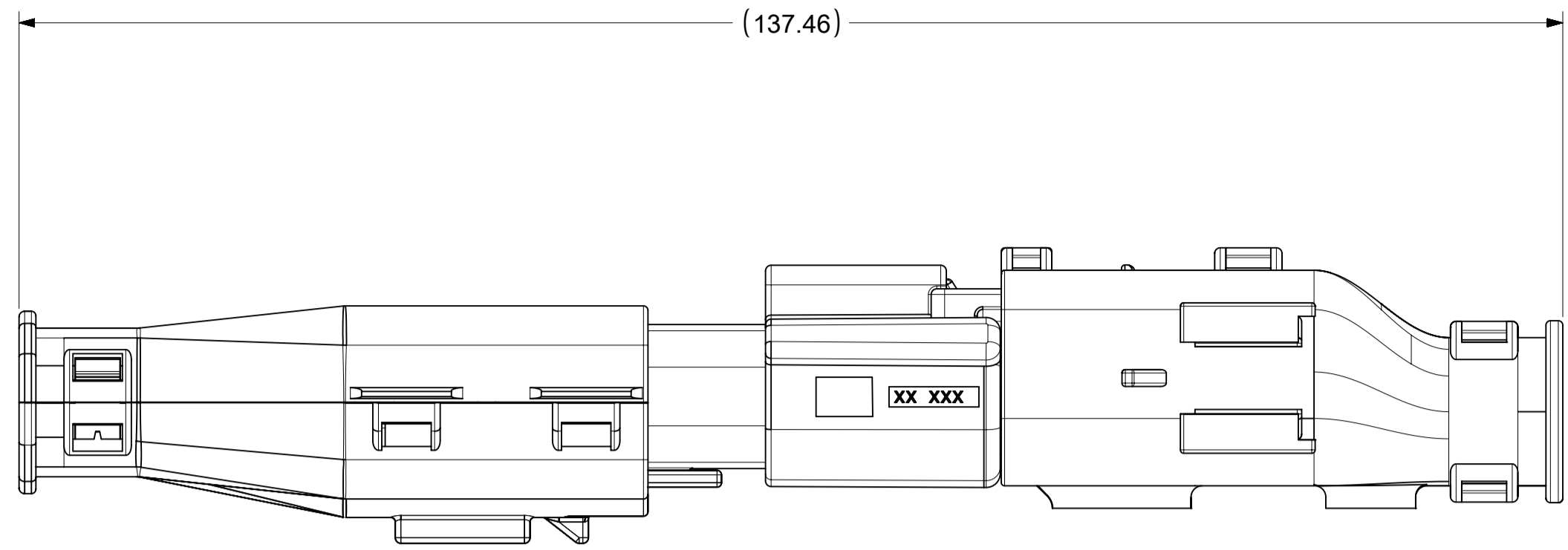
SHEET DESCRIPTION
KEY CONFIGURATIONS CONT.



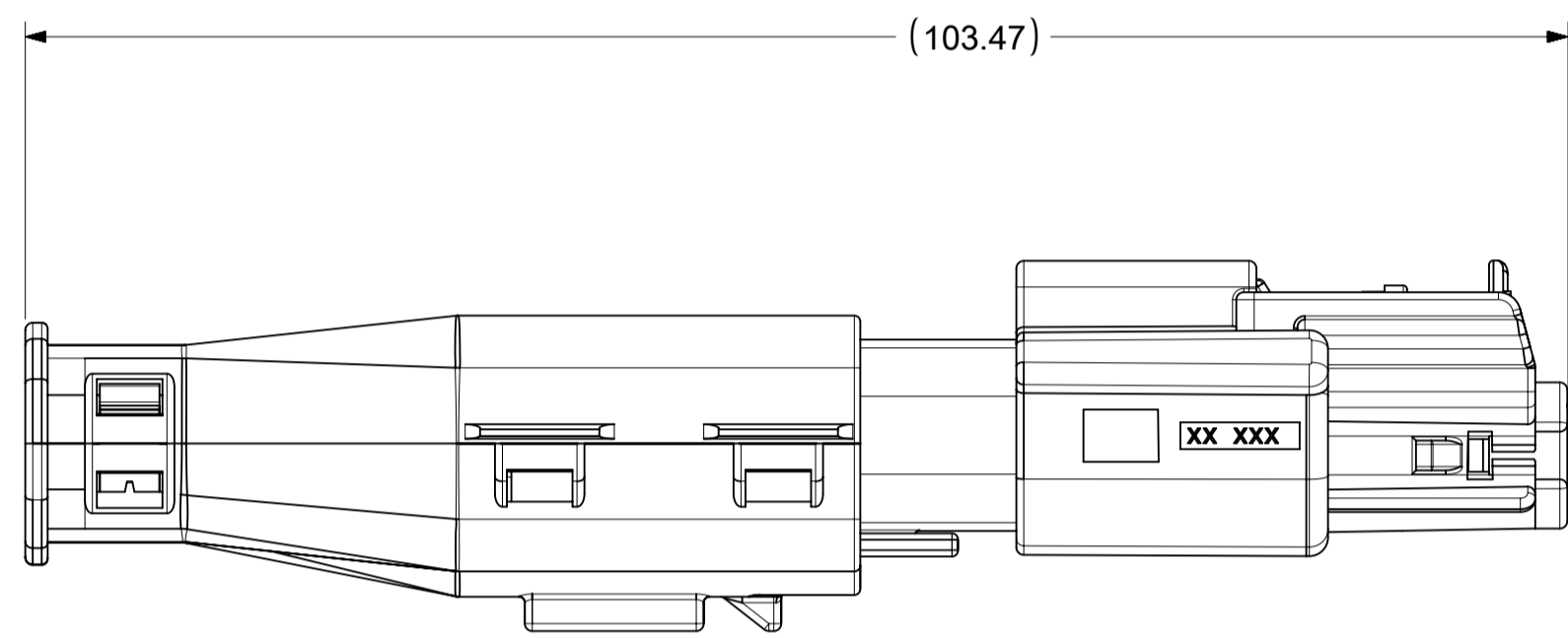
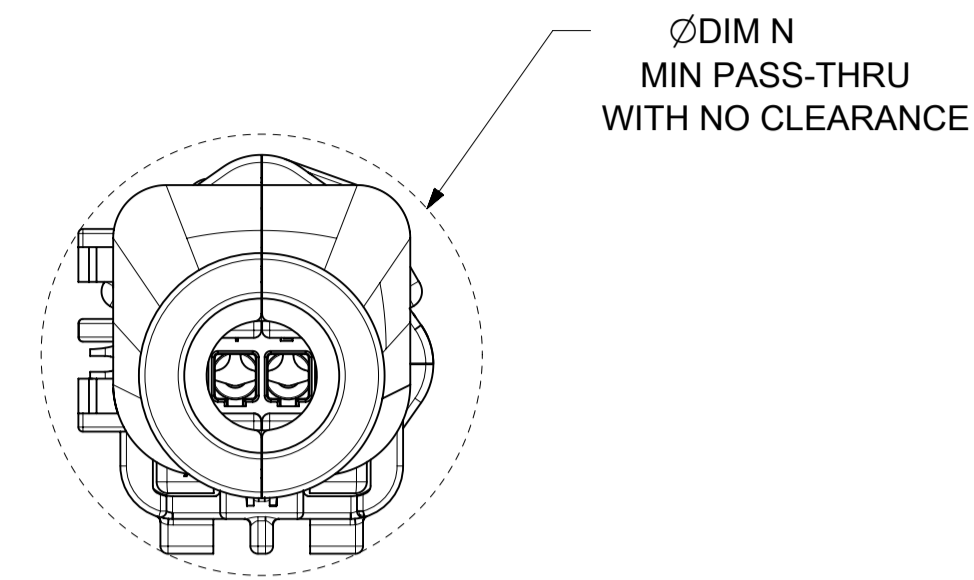
| | | | | | |
|--|---|---|--|--|--|
| SYMBOLS = 0 = 0 = 0 = 0 = 0 = 0 = 0 = 0 = 0 = 0 | THIS DRAWING CONTAINS INFORMATION THAT IS PROPRIETARY TO MOLEX ELECTRONIC TECHNOLOGIES, LLC AND SHOULD NOT BE USED WITHOUT WRITTEN PERMISSION DIMENSION UNITS: MM ONLY SCALE: 3:1 | CURRENT REV DESC: EC NO: 602373 DRWN: DSHETTY01 2018/05/25 CHK'D: MVANSLAMBROU 2018/10/04 APPR: MVANSLAMBROU 2018/10/04 | MX150 BLADE SINGLE ROW SEALED ASSY MAT SEAL | | |
| | GENERAL TOLERANCES (UNLESS SPECIFIED) ANGULAR TOL ± 1.0° 4 PLACES ± 3 PLACES ± 2 PLACES ± 0.1 1 PLACE ± 0.2 0 PLACES ± | INITIAL REVISION: DRWN: APROFFITT 2015/07/21 APPR: KDEKOSKI 2016/06/14 | PRODUCT CUSTOMER DRAWING DOCUMENT NUMBER: SD-33481-0001 DOC TYPE: PSD DOC PART: 001 REVISION: A1 | | |
| DRAFT WHERE APPLICABLE MUST REMAIN WITHIN DIMENSIONS | THIRD ANGLE PROJECTION | DRAWING: A1-SIZE SERIES: 33481 | MATERIAL NUMBER: SEE NOTE 2a. CUSTOMER: GENERAL MARKET SHEET NUMBER: 4 OF 9 | | |

SHEET DESCRIPTION
BACKSHELL CONFIGURATIONS

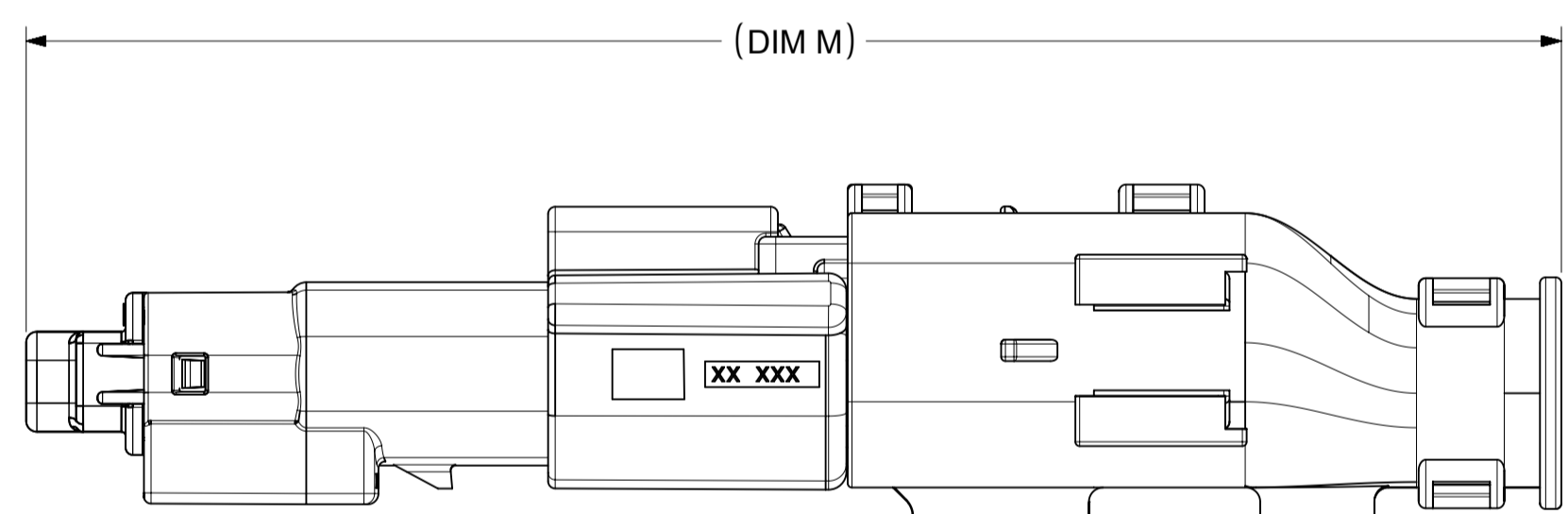
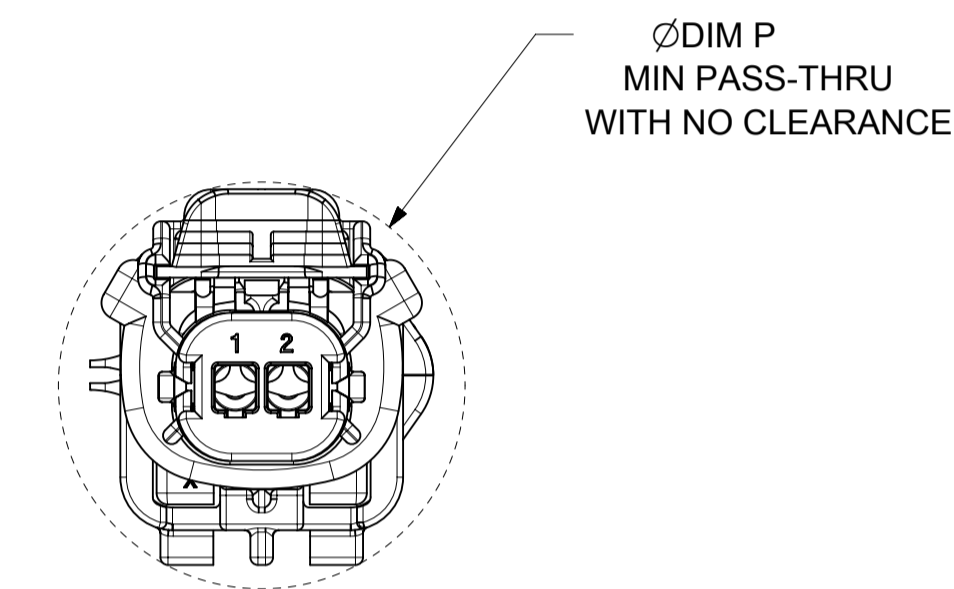
| CKT | BLADE CONFIGURATION | RECEPTACLE CONFIGURATION | DIMENSIONS | | | | |
|-----|---------------------|--------------------------|------------|-------|-------|-------|-------|
| | | | M | N | P | R | S |
| 1X2 | STANDARD | STANDARD | 107.84 | 29.50 | 27.00 | 26.25 | 25.00 |



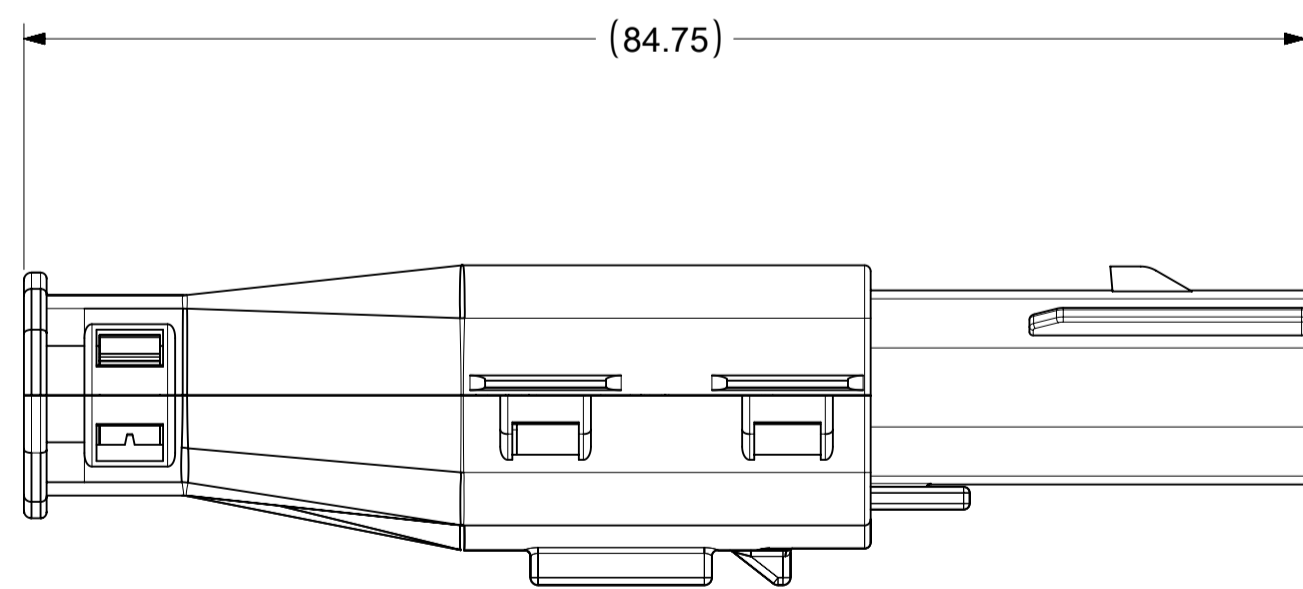
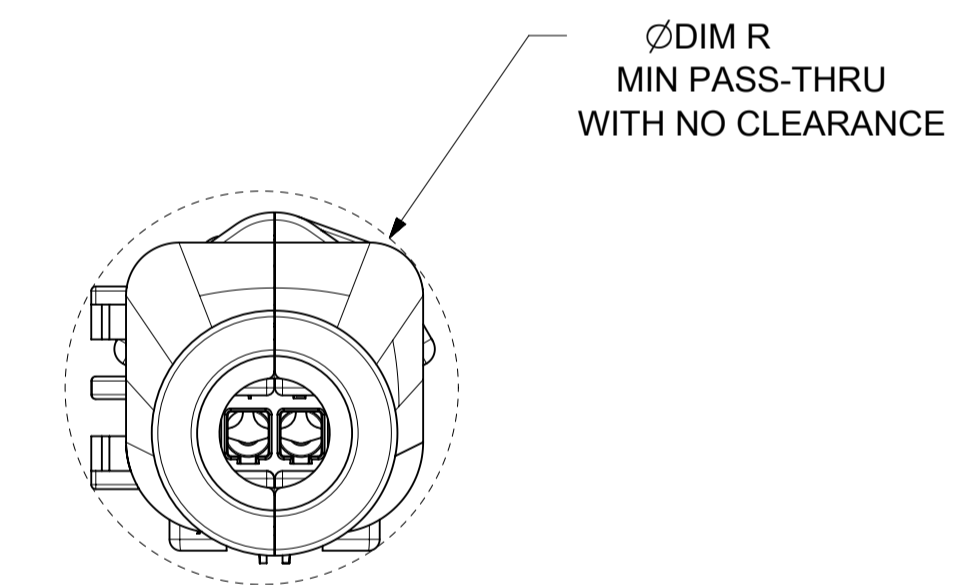
OVERALL MATED SYSTEM WITH BLADE AND RECEPTACLE BACKSHELL



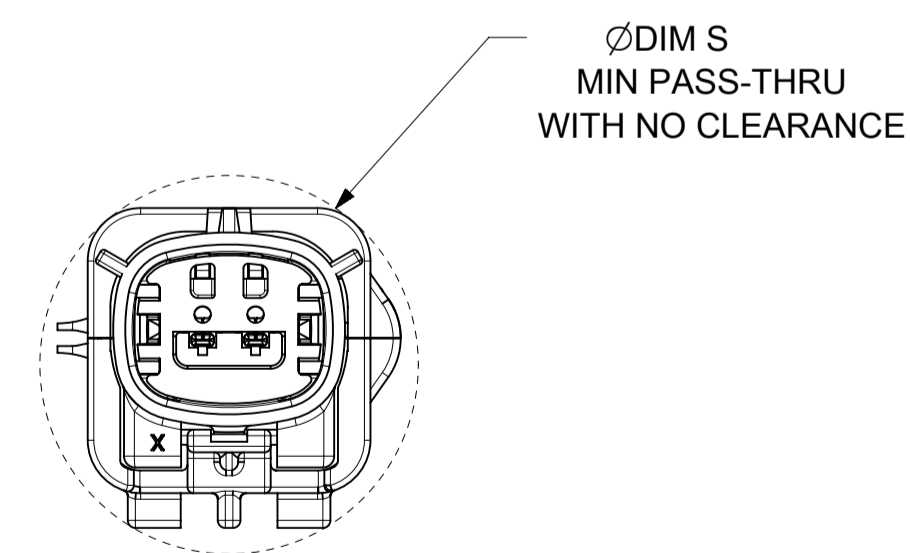
OVERALL MATED SYSTEM WITH BLADE BACKSHELL



OVERALL MATED SYSTEM WITH RECEPTACLE BACKSHELL



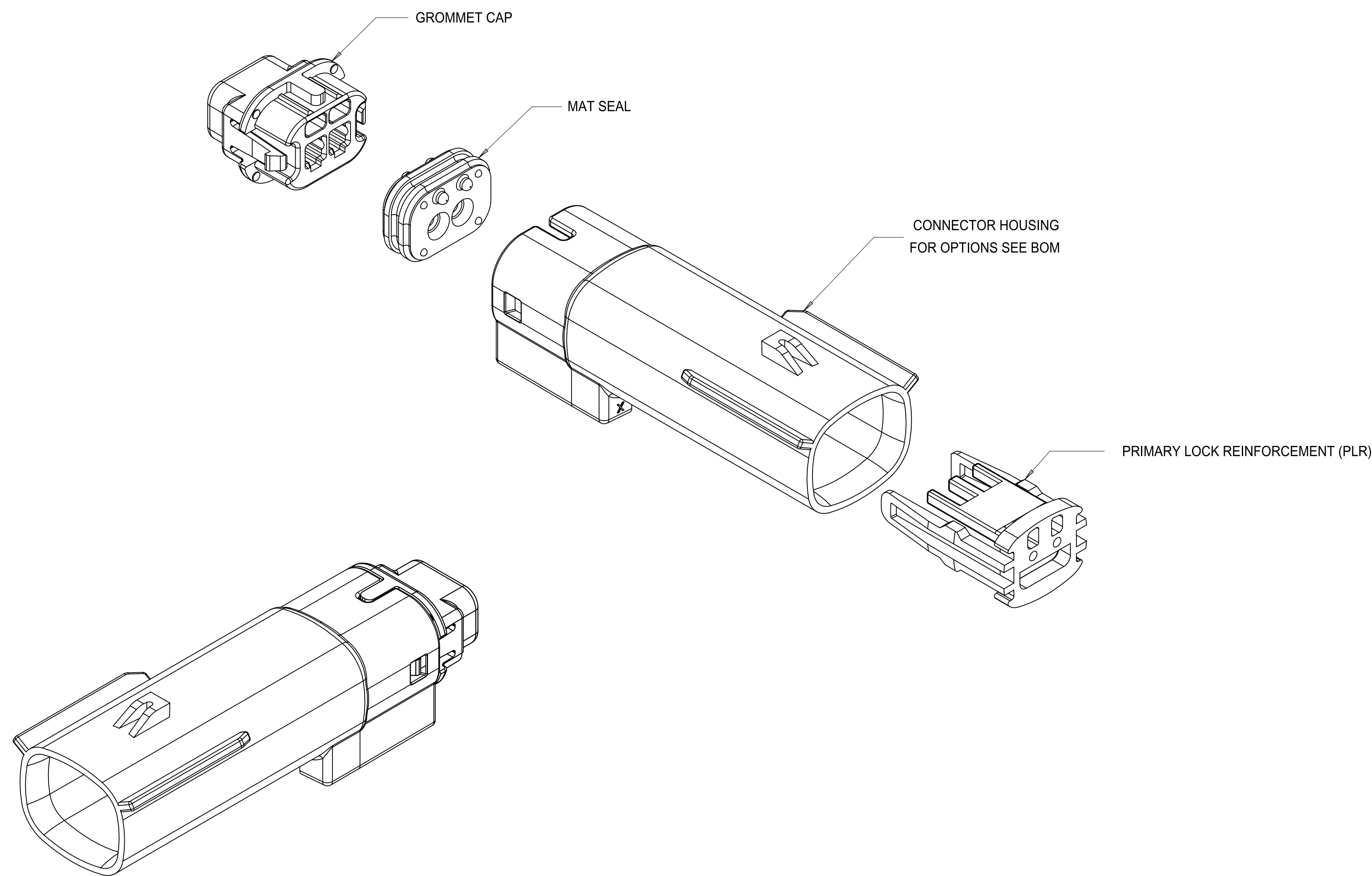
BLADE SEALED ASSEMBLY WITH BLADE BACKSHELL



| SYMBOLS | THIS DRAWING CONTAINS INFORMATION THAT IS PROPRIETARY TO MOLEX ELECTRONIC TECHNOLOGIES, LLC AND SHOULD NOT BE USED WITHOUT WRITTEN PERMISSION | | CURRENT REV DESC: | | molex | | |
|---------|---|-------|--------------------------------|--|---|--|--|
| ▽ = 0 | DIMENSION UNITS | SCALE | | | MX150 BLADE SINGLE ROW SEALED ASSY MAT SEAL | | |
| ▽ = 0 | MM ONLY | 2:1 | | | | | |
| ▽ = 0 | GENERAL TOLERANCES (UNLESS SPECIFIED) | | EC NO: 602373 | | PRODUCT CUSTOMER DRAWING | | |
| ▽ = 0 | ANGULAR TOL ± 1.0° | | DRWN: DSHETTY01 2018/05/25 | | | | |
| ▽ = 0 | 4 PLACES ± | | CHK'D: MVANSLAMBROU 2018/10/04 | | DOCUMENT NUMBER: SD-33481-0001 DOC TYPE: PSD DOC PART: 001 REVISION: A1 | | |
| ▽ = 0 | 3 PLACES ± | | APPR: MVANSLAMBROU 2018/10/04 | | | | |
| ▽ = 0 | 2 PLACES ± 0.1 | | INITIAL REVISION: | | MATERIAL NUMBER: SEE NOTE 2a. CUSTOMER: GENERAL MARKET SHEET NUMBER: 9 OF 9 | | |
| ▽ = 0 | 1 PLACE ± 0.2 | | DRWN: APROFFITT 2015/07/21 | | | | |
| ▽ = 0 | 0 PLACES ± | | APPR: KDEKOSKI 2016/06/14 | | DRAWING: A1-SIZE SERIES: 33481 | | |
| ▽ = 0 | DRAFT WHERE APPLICABLE MUST REMAIN WITHIN DIMENSIONS | | THIRD ANGLE PROJECTION | | | | |

TABLE OF CONTENTS

| SHEET NO. | SHEET DESCRIPTION |
|-----------|--------------------------|
| 1 | NOTES |
| 2 | KEY CONFIGURATIONS |
| 3 | BLADE SEALED ASSEMBLY |
| 4 | SYSTEM PACKAGING |
| 5 | BACKSHELL NOTES |
| 6 | BACKSHELL |
| 7 | BACKSHELL CONFIGURATIONS |
| 8-9 | BOM |



NOTES: VALID UNLESS OTHERWISE SPECIFIED

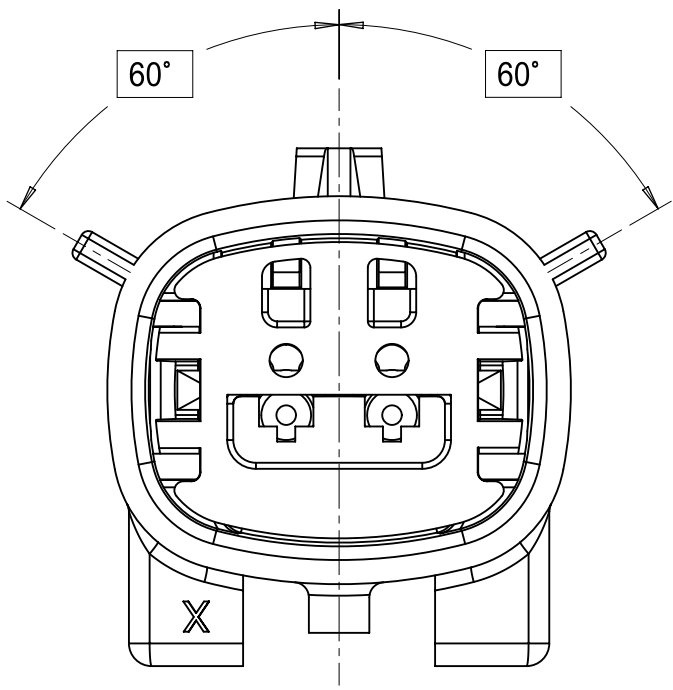
1. GENERAL:
 - a. APPLICATION SPECIFICATION SEE: AS-33472-100
CONTAINS: PRODUCT INTRODUCTION, PRODUCT SUMMARY, CONNECTOR ASSEMBLY, PACKAGING INFORMATION, CONNECTOR MATING, SERVICE INSTRUCTIONS, ELECTRICAL CONTINUITY CHECKING, CRIMPING, AND TROUBLESHOOTING.
-DESIGNED TO MATE WITH RECEPTACLE SEALED ASSEMBLY SPECIFIED IN MOLEX DRAWING SD-33471-021.
-FOR 1.5mm BLADE TERMINALS TO BE USED WITH THIS ASSEMBLY SEE MOLEX DRAWING SD-33000-001.
- SYSTEM TO BE USED WITH WIRE WITHIN DIAMETER RANGE OF 1.2mm TO 2.69mm.
-ASSEMBLY SHIPPED WITH PLR IN PRE-LOCK POSITION
-IN THE EVENT THAT THE PLR IS FOUND IN THE SEATED (FINAL LOCK) POSITION, REFER TO MOLEX SPECIFICATION PS-34646-001, AVAILABLE AT www.molex.com <<http://www.molex.com>>
-ASSEMBLY CONFORMS TO SAE/USCAR-2 REV.4 WITH THE FOLLOWING EXCEPTIONS: TERMINAL INSERTION FORCE FOR WIRE DIAMETER ABOVE 2.5mm NOT EXCEEDING 2.69mm SHALL NOT EXCEED 40 NEWTONS.
 - b. PRODUCT SPECIFICATION SEE: PS-33471-000
CONTAINS: PRODUCT INTRODUCTION, PRODUCT SUMMARY, RATINGS (CURRENT, TEMPERATURE, SEALING, AND FLAMMABILITY), AND PRODUCT VALIDATION.
 - c. PACKAGING SPECIFICATION PER MOLEX DRAWING: PK-31300-635
 - d. PARTS MUST BE IN COMPLIANCE TO MOLEX CHEMICAL SUBSTANCES FOR PRODUCTS AND PACKAGING SPECIFICATION: ES-40000-5016
 - e. DATA MUST BE SUBMITTED UNDER THE MOLEX PART NUMBER TO IMDS (COMPANY ID#13255)
2. DESIGN - MATERIALS:
 - a. SEE BOM TABLE
3. DESIGN - GEOMETRY:
 - a. THIS IS A 100% CAD GENERATED PART. THE CAD MATHEMATICAL DATA IS THE MASTER FOR THIS PART. FOR DIMENSIONAL OR ANY INFORMATION NOT SHOWN ON THIS DRAWING, ANALYZE THE CAD MODEL.
 - b. GEOMETRIC DIMENSIONS AND TOLERANCES PER ASME Y14.5M - 1994
 - c. EDGES AND UNDIMENSIONED DETAILS PER ISO13715
 - d. CORNERS SHOWN AS SHARP TO BE R 0.2 MAX.
 - e. LETTERING SHALL BE 0.15 MAX RAISED IN 0.25 MAX RECESS PAD.
THIS INCLUDES RECYCLING CODE, CAVITY ID, VENDOR IDENTIFICATION, AND CUSTOMER MATERIAL NUMBER.
 - f. VISUAL DEFECTS SHALL MEET COSMETIC STANDARD PS-45499-002 (Class B)
 - g. LASER MARKING: TBD

| | |
|-----|---|
| A14 | UPDATED THE STATUS OF P/Ns ON SHEET 8 (33481-02XX) TO OBSOLETE PER PCN 512135 |
| A13 | UPDATED STATUS IN BOM |
| A12 | ADD NEW P/N 33481-2201 TO 33481-2210 |
| A10 | ADD NEW P/N 33481-0210 |
| A9 | UPDATED VIEWSET & NOTES |
| A8 | RENAMED BACKSHELLS |
| A7 | REMOVED DIMENSION 57 |
| A6 | UPDATED NOTES |
| A5 | UPDATED P/N ORDER IN BOM |
| A4 | REDRAWN, ADDED BACKSHELL |
| REV | DESCRIPTION |

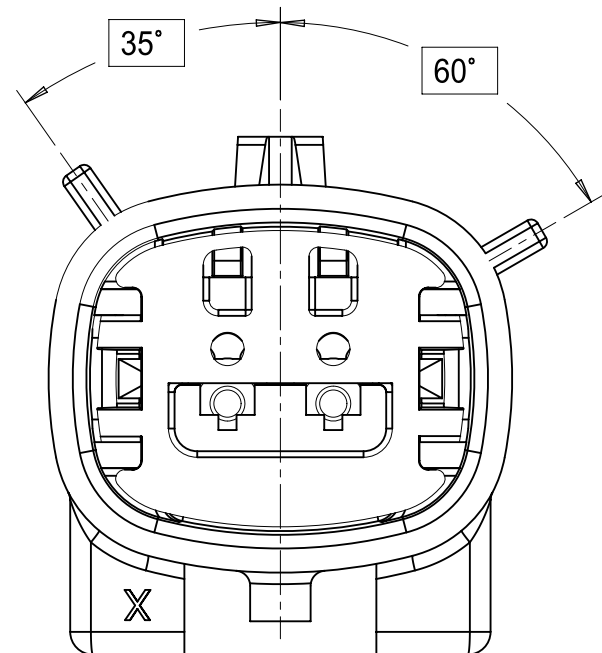
INSPECTION LOG
LAST NUMBER USED: 57
ADDED:
REMOVED:

| THIS DRAWING CONTAINS INFORMATION THAT IS PROPRIETARY TO MOLEX ELECTRONIC TECHNOLOGIES, LLC AND SHOULD NOT BE USED WITHOUT WRITTEN PERMISSION | | | | | | | | | |
|---|-------|--|-------------|--|----------------|--|--------------|--|--|
| DIMENSION UNITS | SCALE | CURRENT REV DESC: SEE REVISION TABLE | | | | | | | |
| mm | 3:1 | <div style="text-align: center;">molex</div> <p>MX150 1X2 BLADE SEALED ASSEMBLY MAT SEAL</p> <p>PRODUCT SALES DRAWING</p> | | | | | | | |
| GENERAL TOLERANCES (UNLESS SPECIFIED) | | | | | | | | | |
| ANGULAR TOL | ± 3° | | | | | | | | |
| 4 PLACES | ± 0 | | | | | | | | |
| 3 PLACES | ± 0 | | | | | | | | |
| 2 PLACES | ± 0.1 | | | | | | | | |
| 1 PLACE | ± 0.2 | EC NO: CO-000001228 | 21-Jul-2022 | <div style="text-align: center;">SD-33481-021</div> | | | | | |
| 0 PLACES | ± 0 | DRWN: MattYoung | 01-Aug-2022 | | | | | | |
| DRAFT WHERE APPLICABLE MUST REMAIN WITHIN DIMENSIONS | | CHK'D: Joe Fox | 02-Aug-2022 | | | | | | |
| THIRD ANGLE PROJECTION | | APPR: Katy Boruszewski | | | | | | | |
| DRAWING | | SERIES | | MATERIAL NUMBER | CUSTOMER | | SHEET NUMBER | | |
| D-SIZE | | 33481 | | SEE BOM | GENERAL MARKET | | 1 OF 9 | | |

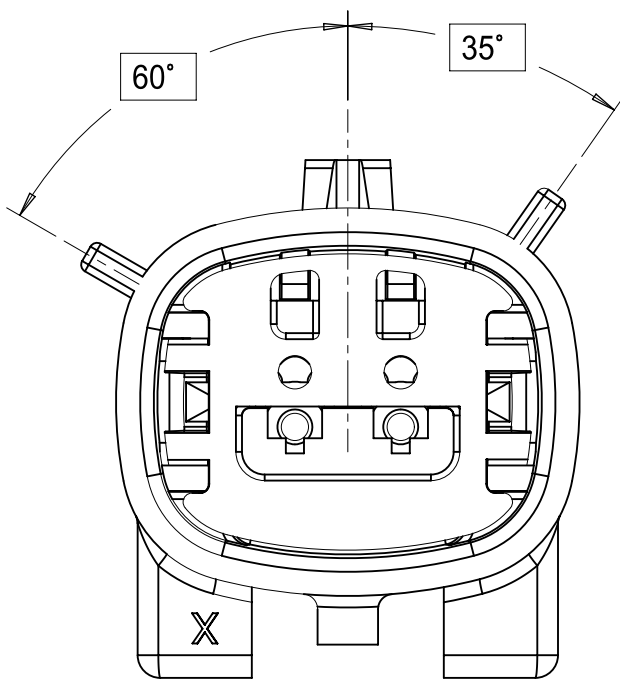
KEY CONFIGURATIONS



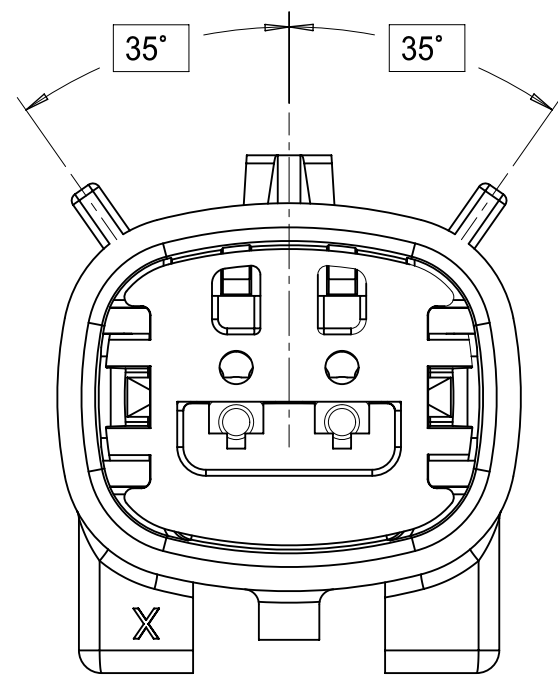
KEY A



KEY B



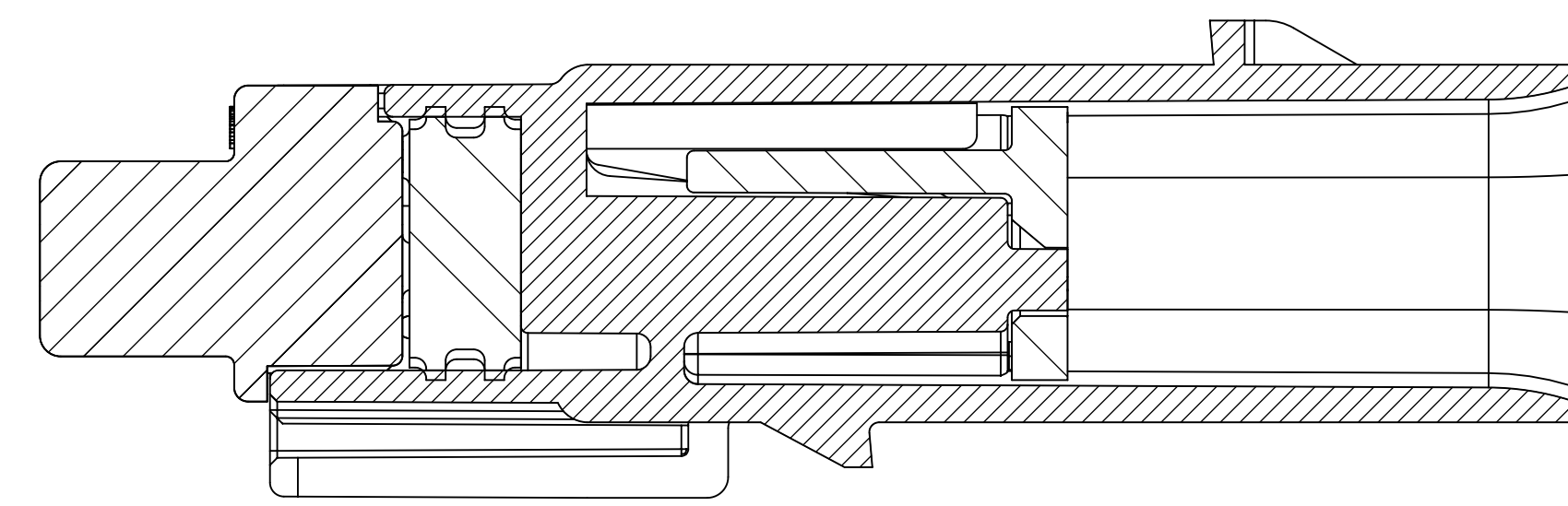
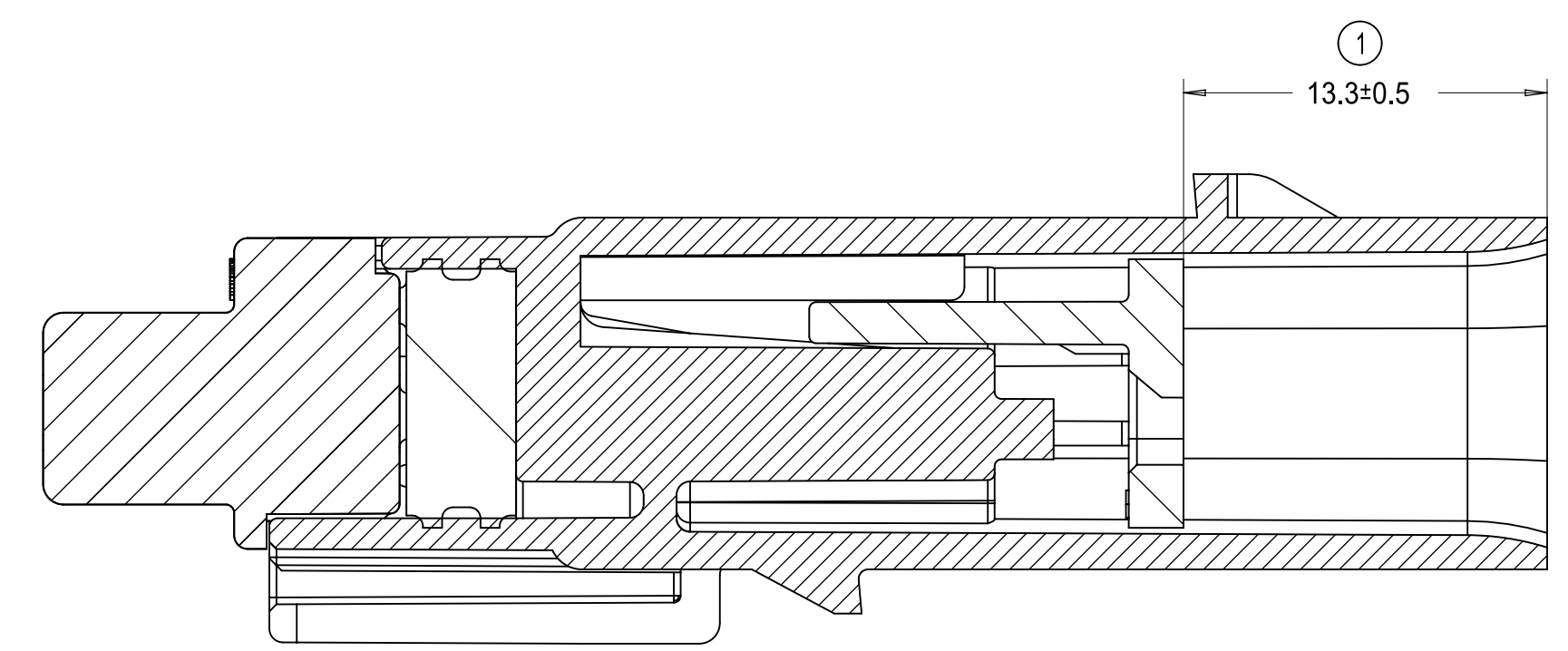
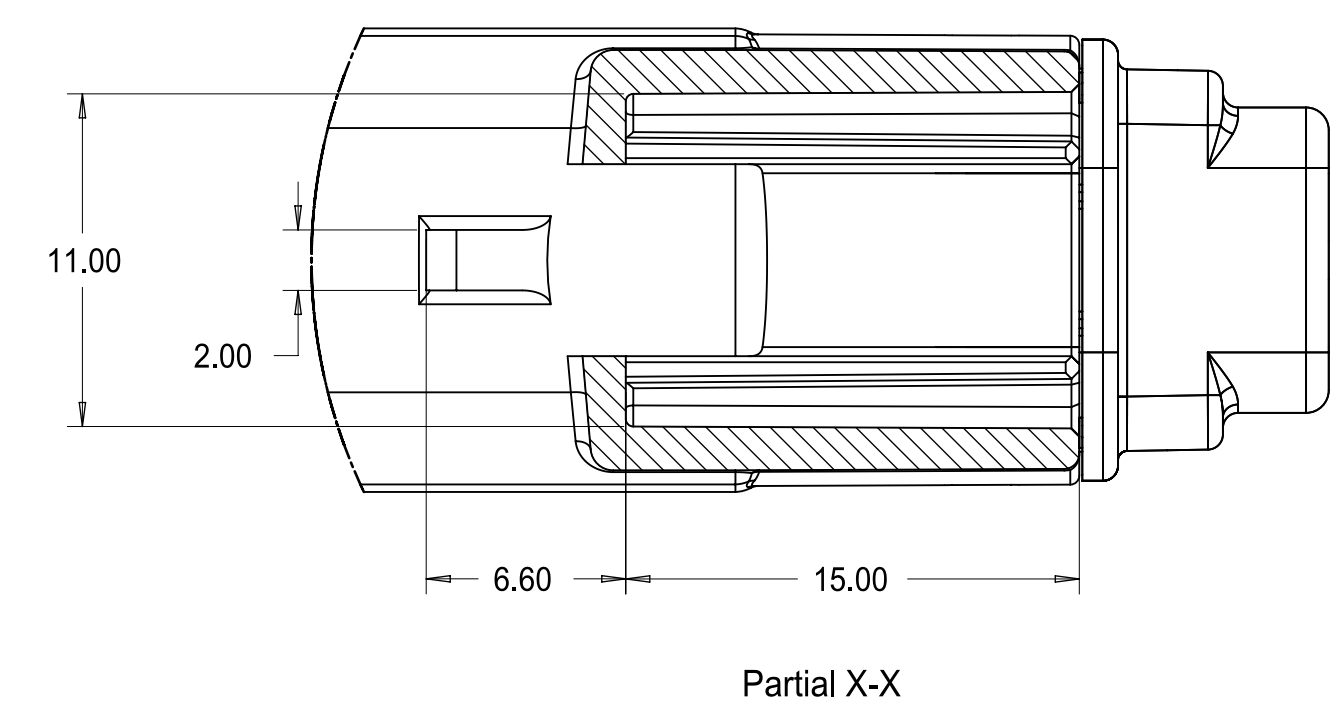
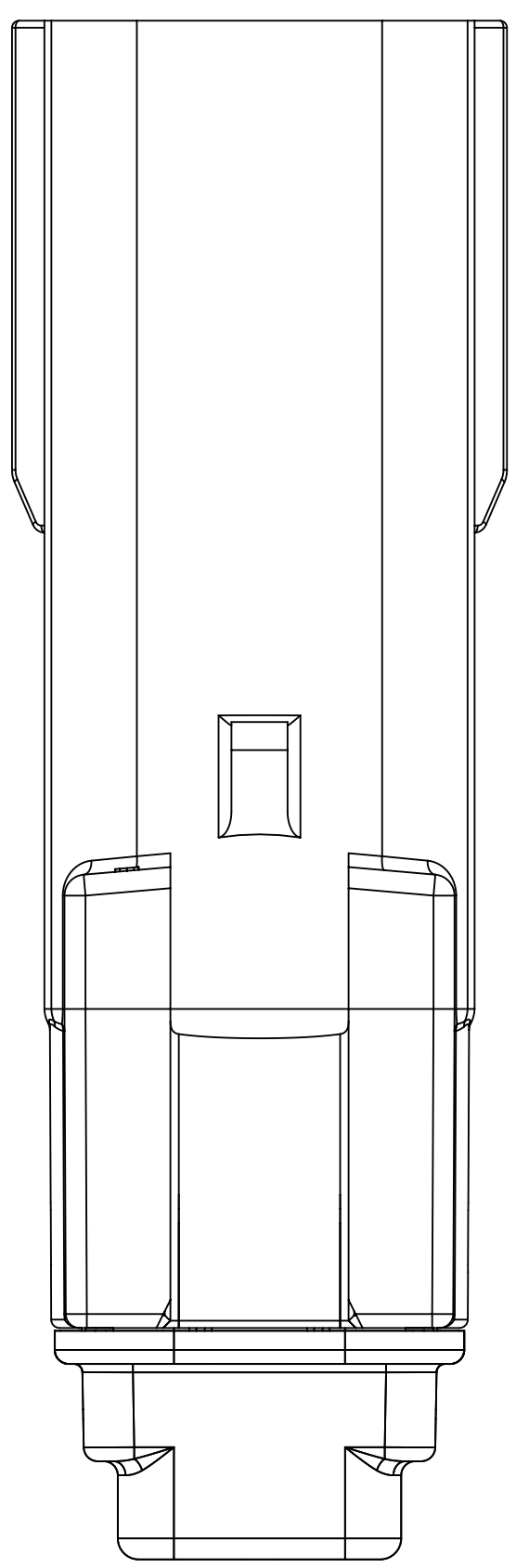
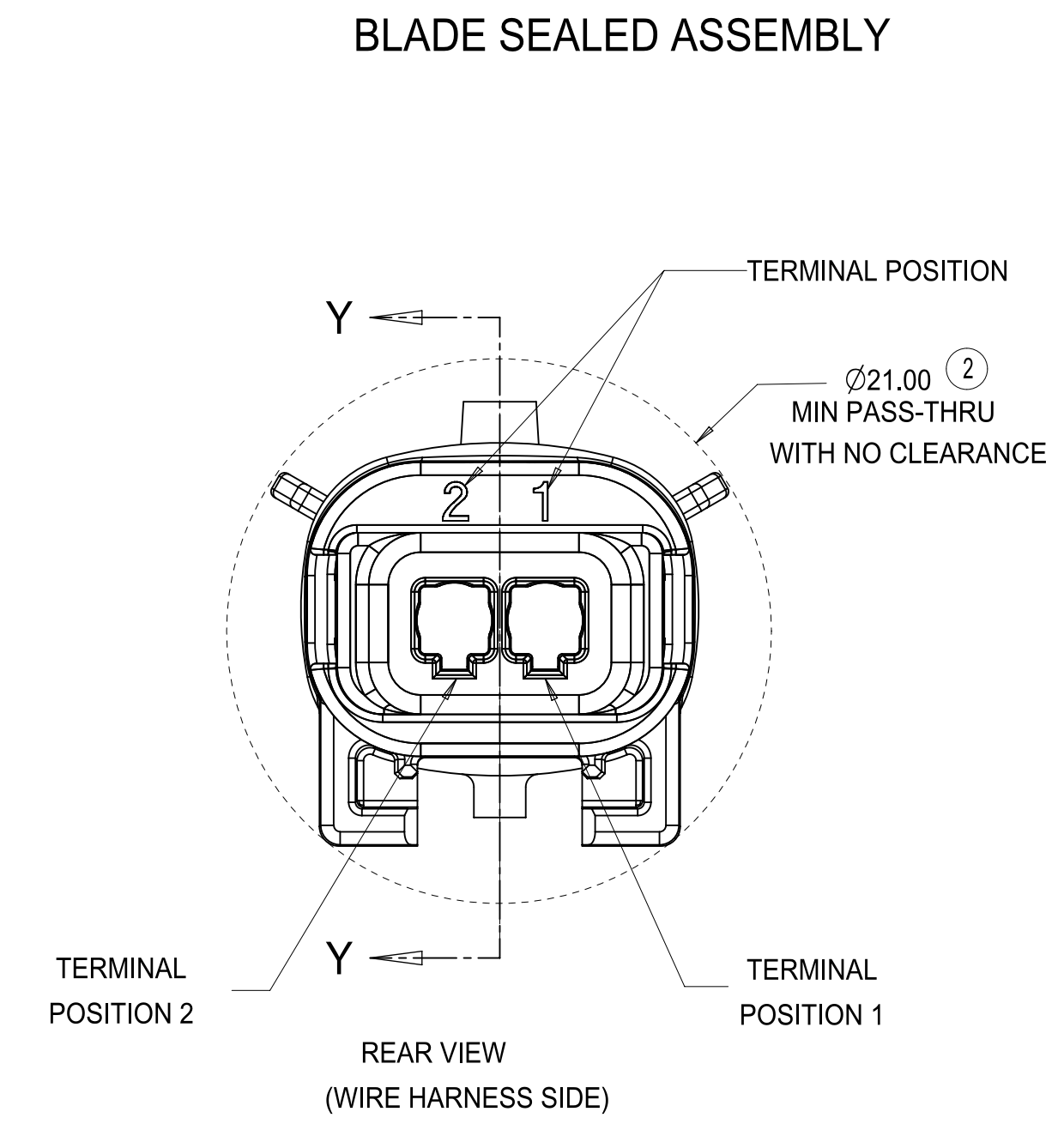
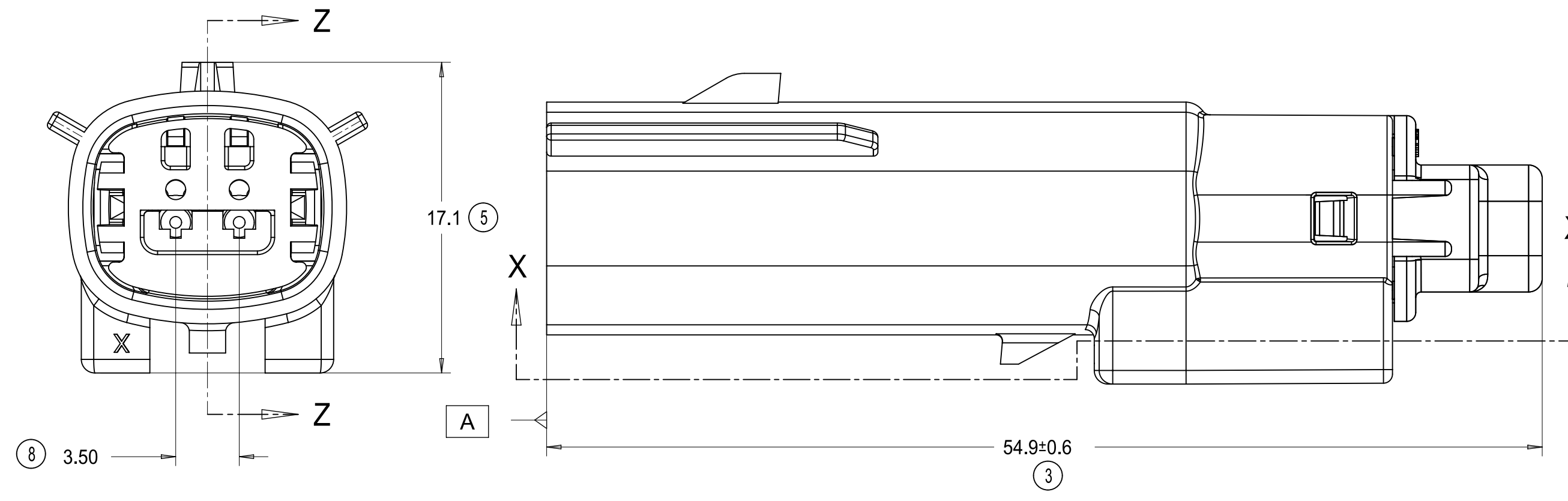
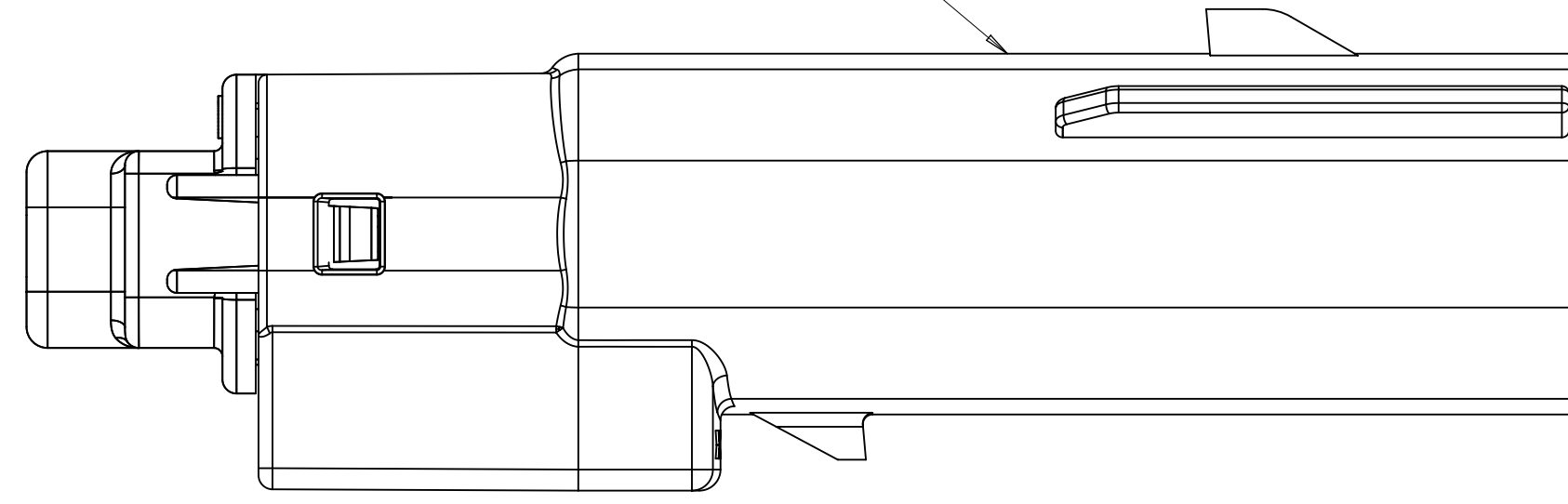
KEY C



KEY D

| | | | | | | | | | | | | | |
|---|--|------------------------|--|--------------------------------------|--|-------------|--|-----------------|--|----------------|--|--------------|--|
| THIS DRAWING CONTAINS INFORMATION THAT IS PROPRIETARY TO MOLEX ELECTRONIC TECHNOLOGIES, LLC AND SHOULD NOT BE USED WITHOUT WRITTEN PERMISSION | | | | | | | | | | | | | |
| DIMENSION UNITS | | SCALE | | CURRENT REV DESC: SEE REVISION TABLE | | | | | | | | | |
| mm | | 4:1 | | | | | | | | | | | |
| GENERAL TOLERANCES (UNLESS SPECIFIED) | | | | EC NO: CO-000001228 | | | | | | | | | |
| ANGULAR TOL ± 3° | | | | DRWN: MattYoung | | 21-Jul-2022 | | | | | | | |
| 4 PLACES ± 0 | | | | CHK'D: Joe Fox | | 01-Aug-2022 | | | | | | | |
| 3 PLACES ± 0.1 | | | | APPR: Katy Borszewski | | 02-Aug-2022 | | | | | | | |
| 2 PLACES ± 0.2 | | | | INITIAL REVISION: | | | | | | | | | |
| 1 PLACE ± 0 | | | | DRWN: RFC_PLMIMP | | | | | | | | | |
| 0 PLACES ± 0 | | | | APPR: | | | | | | | | | |
| DRAFT WHERE APPLICABLE MUST REMAIN WITHIN DIMENSIONS | | THIRD ANGLE PROJECTION | | DRAWING | | SERIES | | MATERIAL NUMBER | | CUSTOMER | | SHEET NUMBER | |
| | | | | D-SIZE | | 33481 | | SEE BOM | | GENERAL MARKET | | 2 OF 9 | |
| DOCUMENT NUMBER | | | | DOC TYPE | | DOC PART | | REVISION | | | | | |
| SD-33481-021 | | | | PSD | | 001 | | A14 | | | | | |

OPTIONAL LASER MARKING ON THIS SURFACE SEE NOTE 3g



PRIMARY LOCK REINFORCEMENT (PLR) SHOWN IN PRE-STAGED POSITION

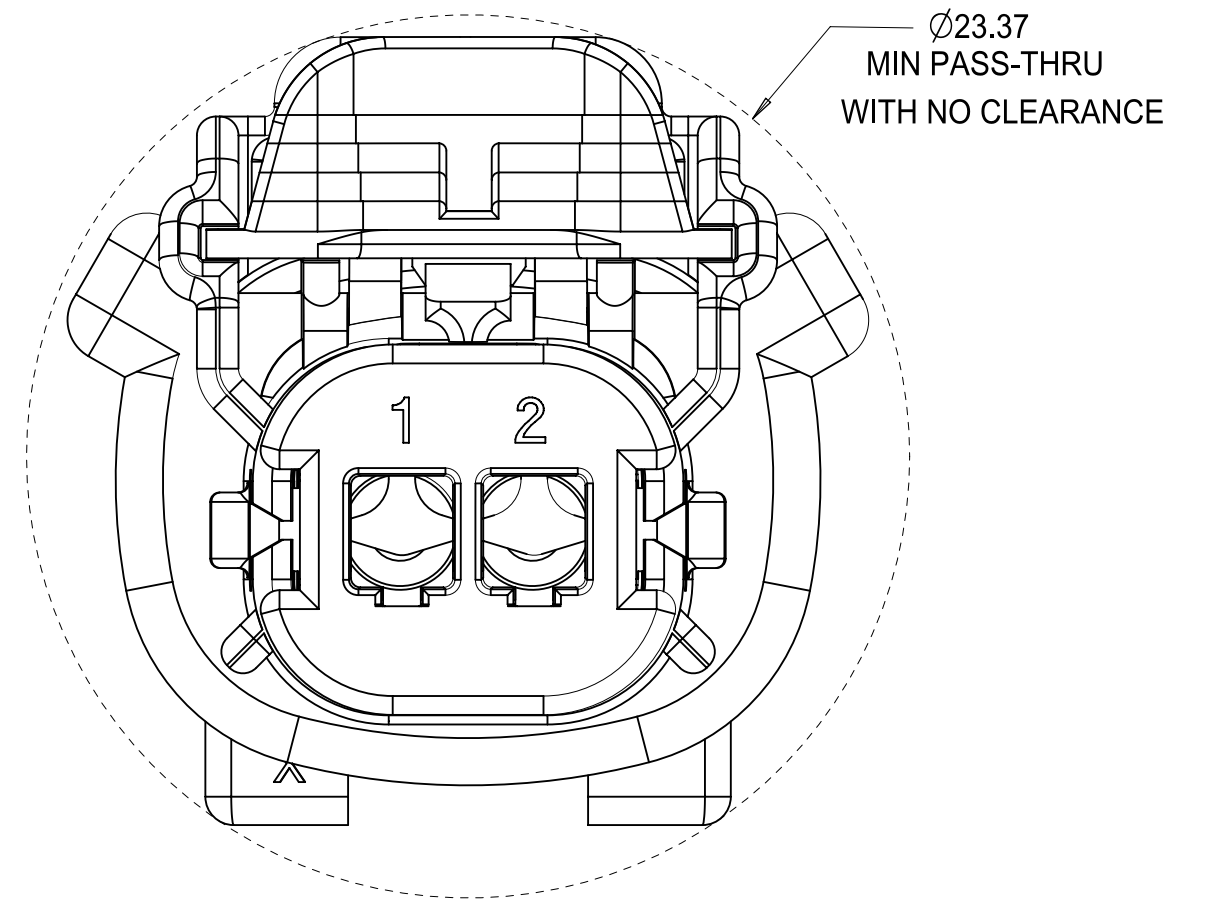
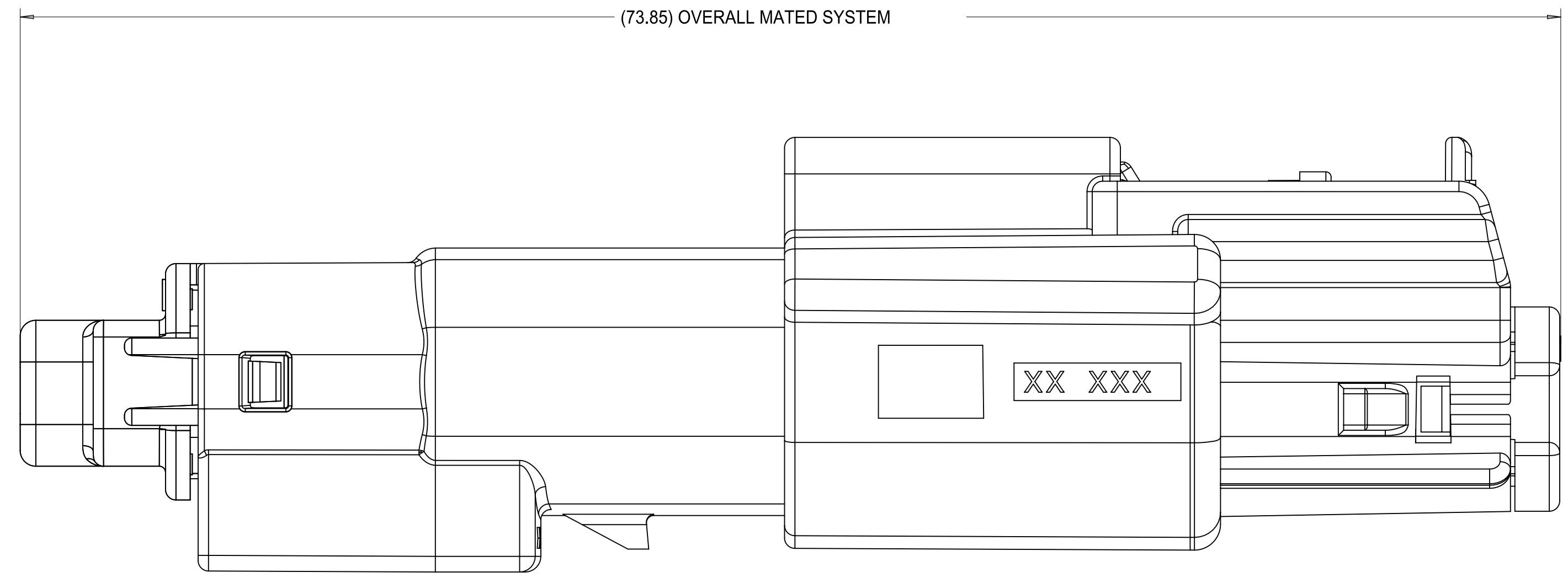
SECTION Z-Z

PRIMARY LOCK REINFORCEMENT (PLR) SHOWN IN FINAL-LOCK POSITION

SECTION Y-Y

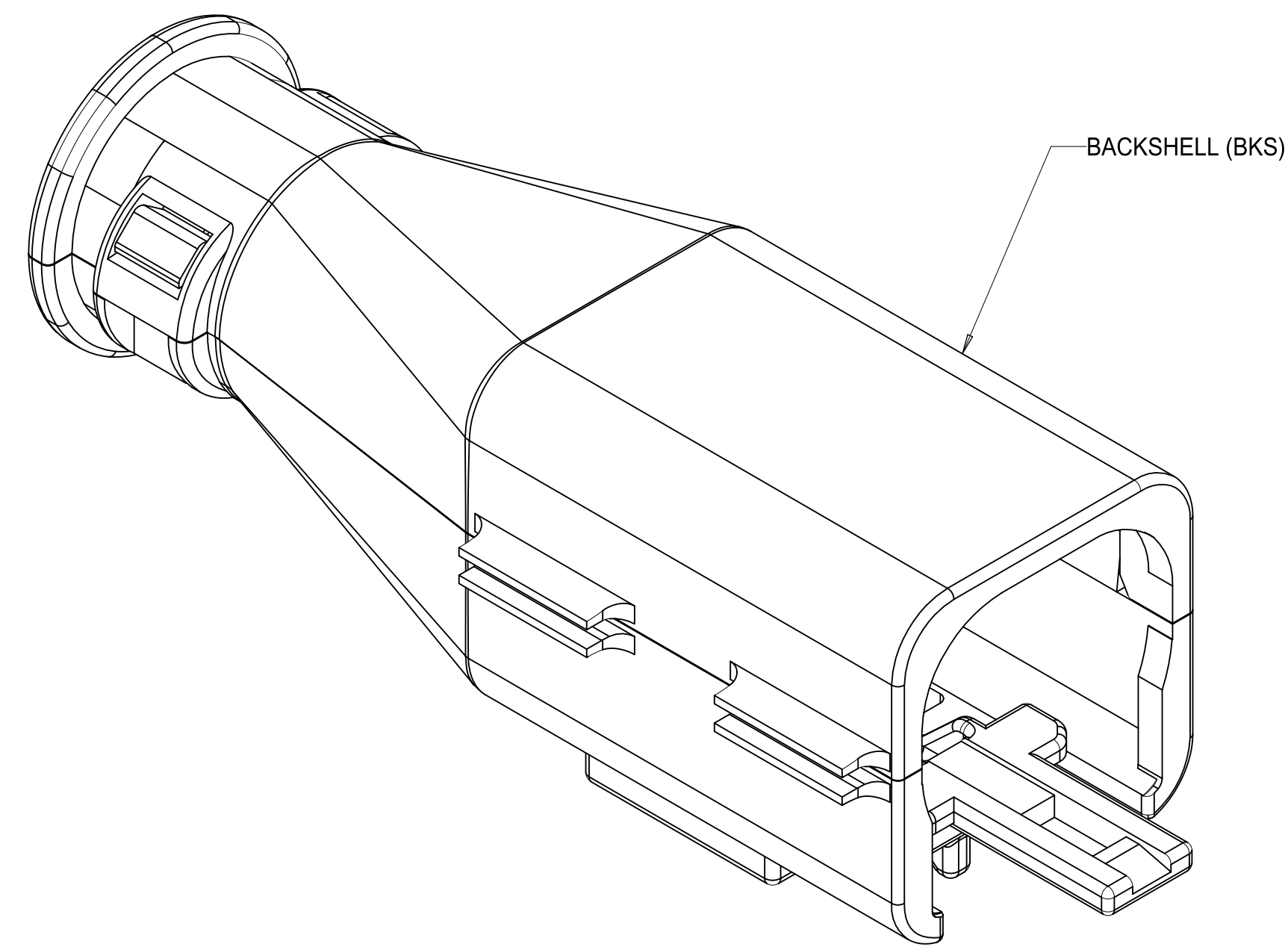
| | | | | | | | | | |
|---|--|------------------------|--|---|--|----------|--|-----------------|--|
| THIS DRAWING CONTAINS INFORMATION THAT IS PROPRIETARY TO MOLEX ELECTRONIC TECHNOLOGIES, LLC AND SHOULD NOT BE USED WITHOUT WRITTEN PERMISSION | | | | | | | | | |
| DIMENSION UNITS | | SCALE | | CURRENT REV DESC: SEE REVISION TABLE | | | | | |
| mm | | 4:1 | | <p>molex</p> <p>MX150 1X2 BLADE SEALED ASSEMBLY MAT SEAL</p> <p>PRODUCT SALES DRAWING</p> <p>EC NO: CO-000001228 DRWN: MattYoung 21-Jul-2022</p> <p>CHK'D: Joe Fox 01-Aug-2022</p> <p>APPR: Katy Boruszewski 02-Aug-2022</p> <p>INITIAL REVISION: DRWN: RFC_PLMIMP APPR:</p> | | | | | |
| GENERAL TOLERANCES (UNLESS SPECIFIED) | | | | | | | | | |
| ANGULAR TOL ± 3° | | | | | | | | | |
| 4 PLACES ± 0 | | 3 PLACES ± 0 | | | | | | | |
| 2 PLACES ± 0.1 | | 1 PLACE ± 0.2 | | | | | | | |
| 0 PLACES ± 0 | | | | | | | | | |
| DRAFT WHERE APPLICABLE MUST REMAIN WITHIN DIMENSIONS | | THIRD ANGLE PROJECTION | | DRAWING | | SERIES | | MATERIAL NUMBER | |
| | | D-SIZE | | 33481 | | SEE BOM | | GENERAL MARKET | |
| DOCUMENT STATUS | | RELEASE DATE | | DOC TYPE | | DOC PART | | REVISION | |
| Approved | | 02-Aug-2022 14:03:56 | | PSD | | 001 | | A14 | |
| | | | | | | | | SHEET NUMBER | |
| | | | | | | | | 3 OF 9 | |

SYSTEM PACKAGING

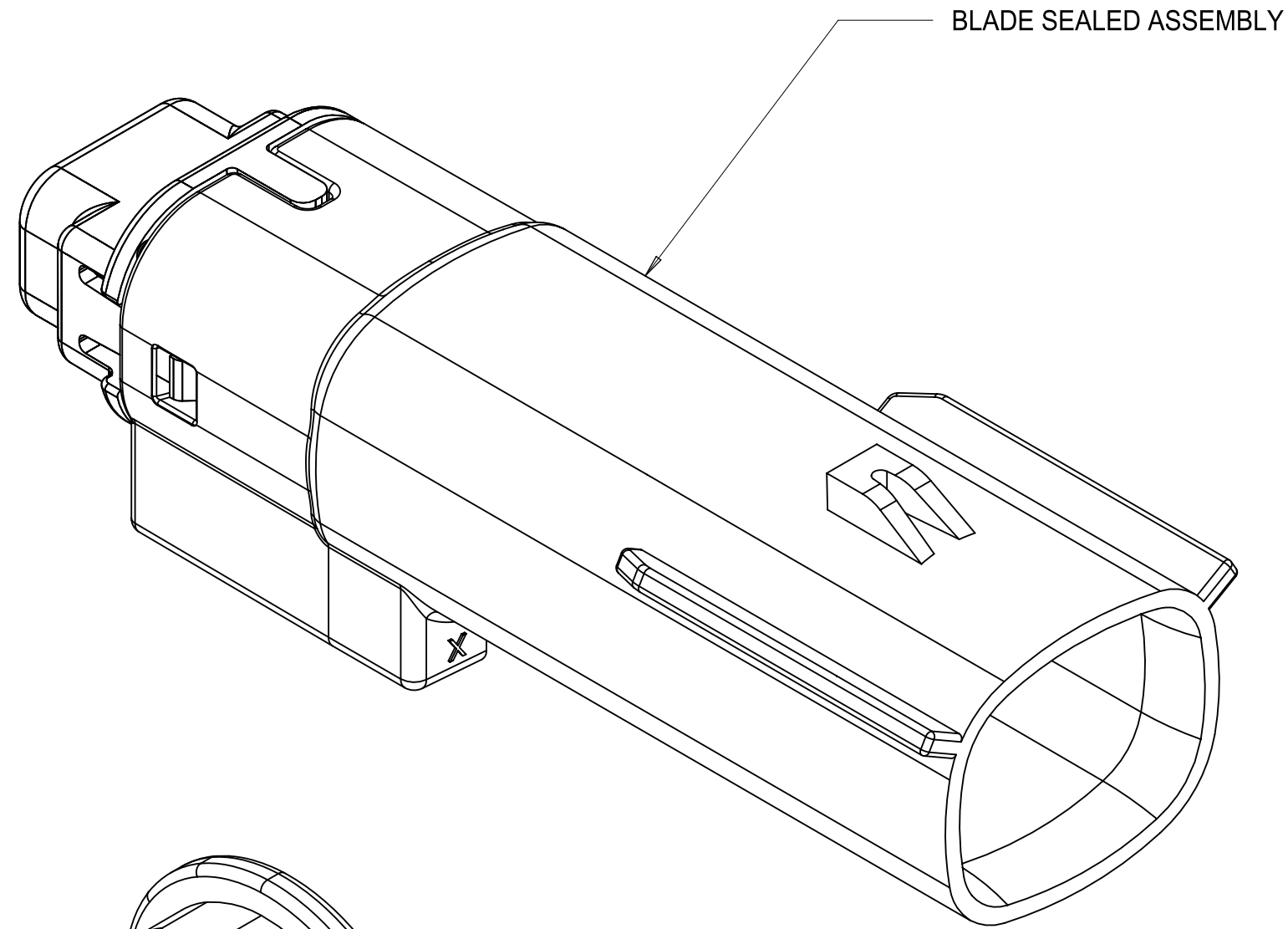


| | | | | | | | | | |
|---|-------|--------------------------------------|---------|--------|--|----------------|--------------|--|--|
| THIS DRAWING CONTAINS INFORMATION THAT IS PROPRIETARY TO MOLEX ELECTRONIC TECHNOLOGIES, LLC AND SHOULD NOT BE USED WITHOUT WRITTEN PERMISSION | | | | | | | | | |
| DIMENSION UNITS | SCALE | CURRENT REV DESC: SEE REVISION TABLE | | | | | | | |
| mm | 1:1 | | | | | | | | |
| GENERAL TOLERANCES (UNLESS SPECIFIED) | | EC NO: CO-000001228 | | | MX150 1X2 BLADE SEALED ASSEMBLY MAT SEAL PRODUCT SALES DRAWING | | | | |
| ANGULAR TOL | ± 3° | DRWN: MattYoung 21-Jul-2022 | | | | | | | |
| 4 PLACES | ± 0 | CHK'D: Joe Fox 01-Aug-2022 | | | DOCUMENT NUMBER | | | | |
| 3 PLACES | ± 0 | APPR: Katy Boruszewski 02-Aug-2022 | | | DOC TYPE | | | | |
| 2 PLACES | ± 0.1 | INITIAL REVISION: | | | DOC PART | | | | |
| 1 PLACE | ± 0.2 | DRWN: RFC_PLMIMP | | | REVISION | | | | |
| 0 PLACES | ± 0 | APPR: | | | SD-33481-021 | | | | |
| DRAFT WHERE APPLICABLE MUST REMAIN WITHIN DIMENSIONS | | THIRD ANGLE PROJECTION | DRAWING | SERIES | MATERIAL NUMBER | CUSTOMER | SHEET NUMBER | | |
| | | | D-SIZE | 33481 | SEE BOM | GENERAL MARKET | 4 OF 9 | | |

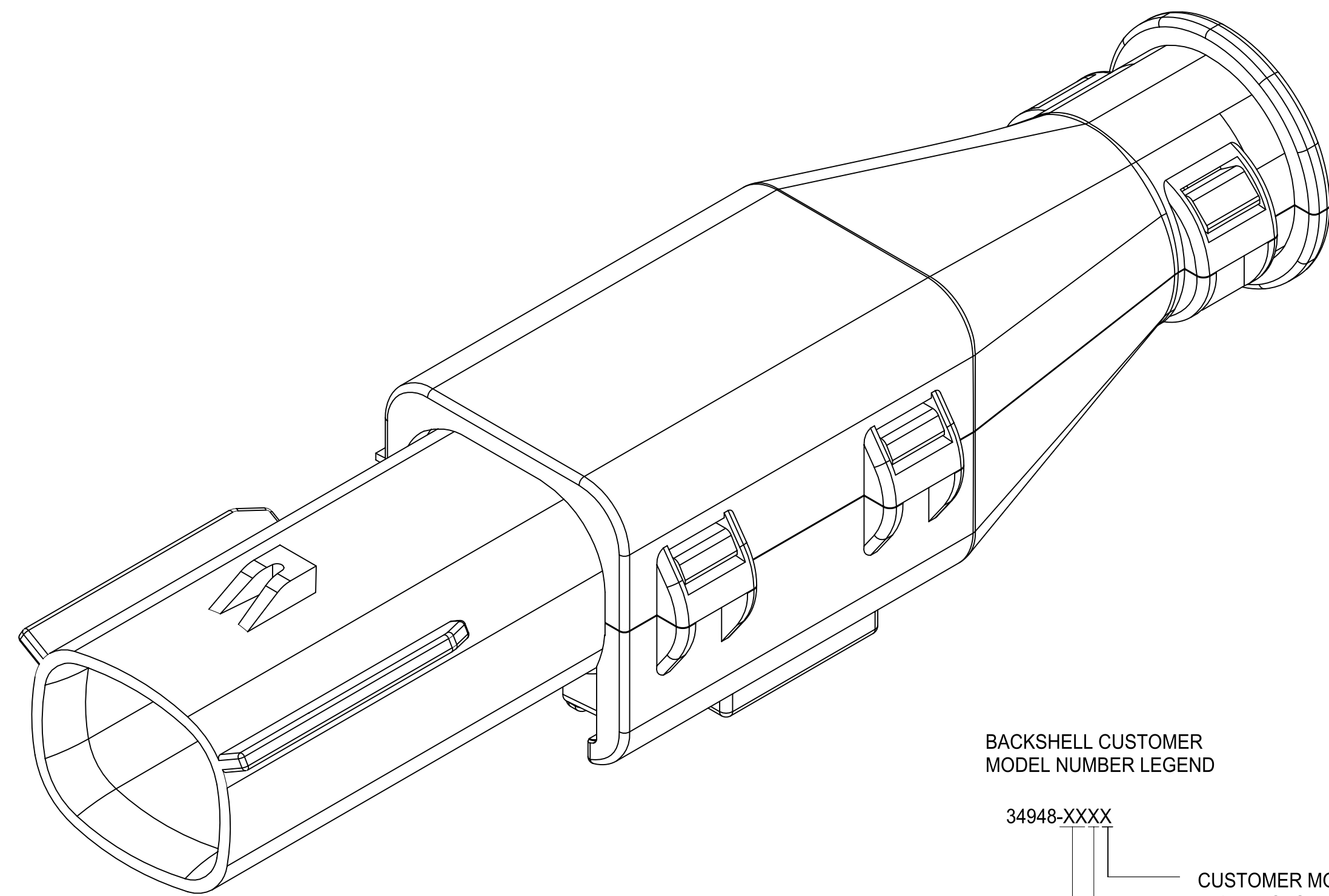
BACKSHELL NOTES



BACKSHELL (BKS)



BLADE SEALED ASSEMBLY



BACKSHELL CUSTOMER MODEL NUMBER LEGEND

34948-XXXX

- CUSTOMER MODEL COMPONENTS
- 0 - BACKSHELL ONLY
 - 1 - BACKSHELL & MX150 HOUSING KEY A ASSEMBLY
 - 2 - BACKSHELL & MX150 HOUSING KEY B ASSEMBLY
 - 3 - BACKSHELL & MX150 HOUSING KEY C ASSEMBLY
 - 4 - BACKSHELL & MX150 HOUSING KEY D ASSEMBLY

- BACKSHELL FEATURES
- 1 - WITH RIBS
 - 2 - WITHOUT RIBS

MX150 CIRCUIT SIZE 02, 03, 04, 05, 06

BACKSHELL NOTES: VALID UNLESS OTHERWISE SPECIFIED

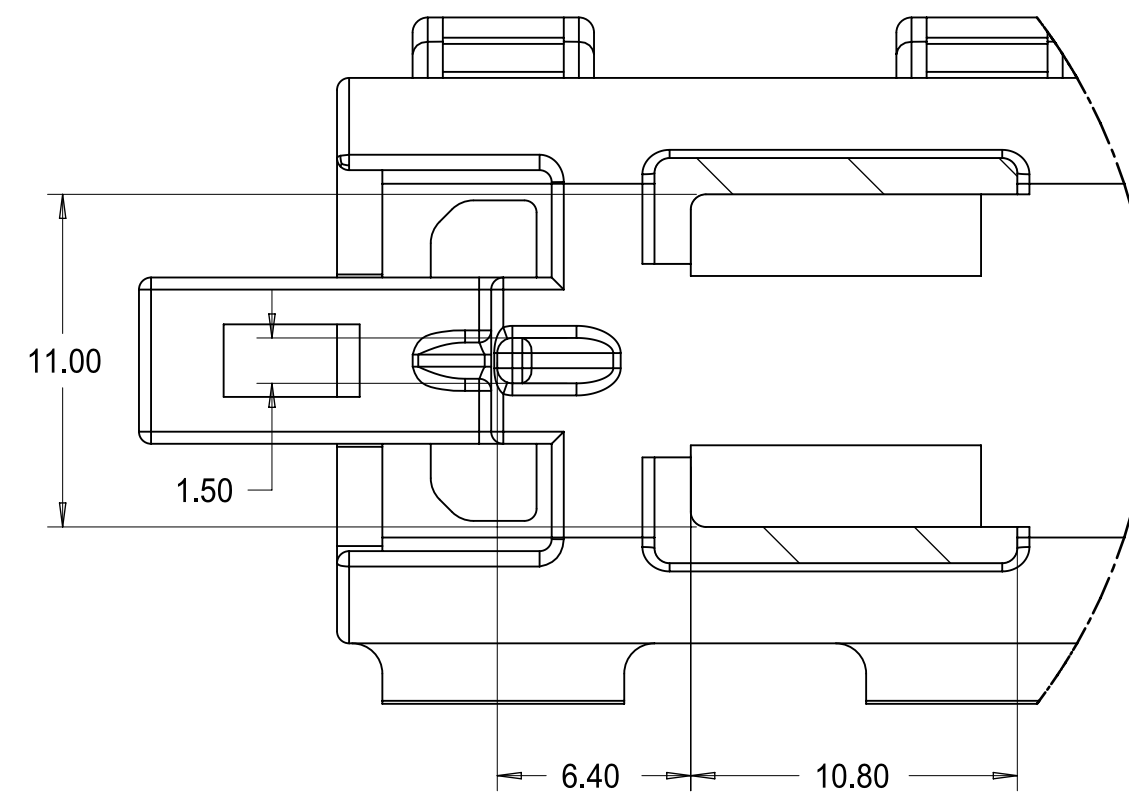
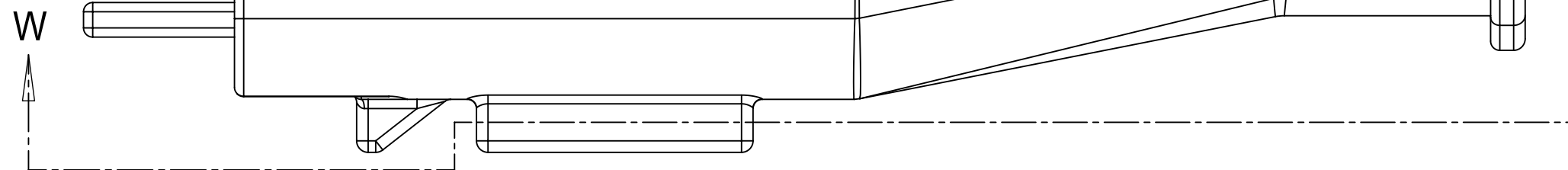
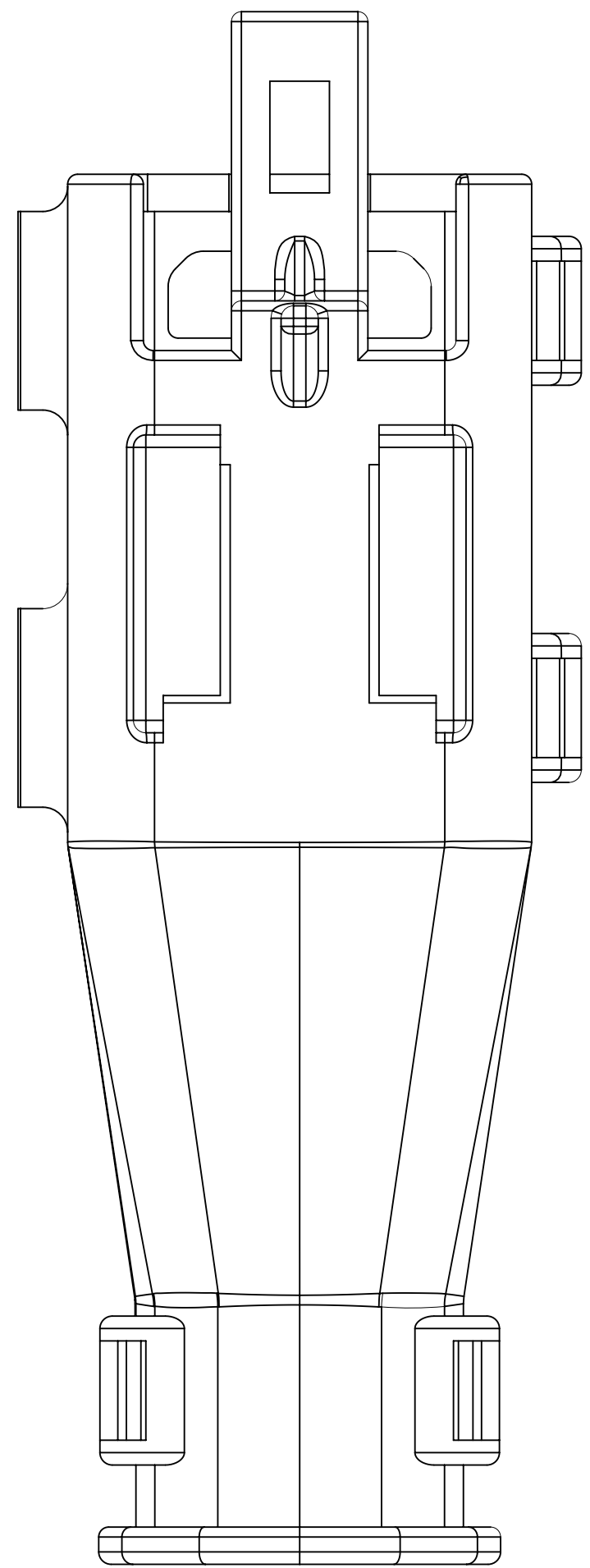
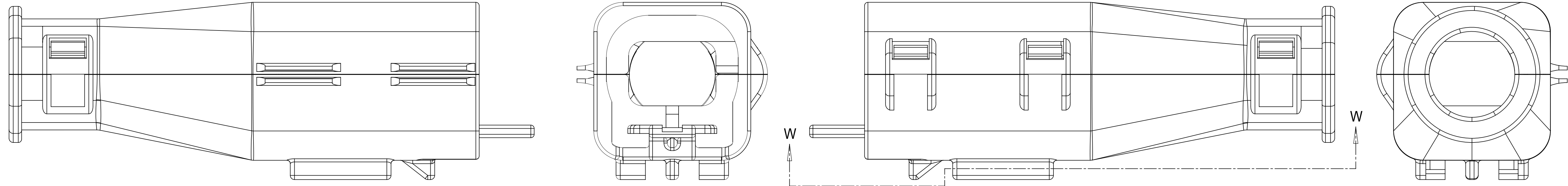
1. GENERAL:

- a. APPLICATION SPECIFICATION SEE: AS-34951-001
- DESIGNED TO MATE WITH RECEPTACLE SEALED ASSEMBLY SPECIFIED IN MOLEX DRAWING SD-33472-021.
- SYSTEM TO BE USED WITH WIRE WITHIN DIAMETER RANGE OF 1.2mm TO 2.69mm.
- COMPONENTS ARE OPTIONAL AND MUST BE PURCHASED SEPERATELY.
- BACKSHELL DESIGN IS OWNED BY SCHLEMMER.
- FOR ADDITIONAL INFORMATION SEE THE BACKSHELL COMPONENT DRAWING SD-34948-0001.

THIS DRAWING CONTAINS INFORMATION THAT IS PROPRIETARY TO MOLEX ELECTRONIC TECHNOLOGIES, LLC AND SHOULD NOT BE USED WITHOUT WRITTEN PERMISSION

| | | | | | | |
|--|-------|--------------------------------------|---------|--|-----------------|----------------|
| DIMENSION UNITS | SCALE | CURRENT REV DESC: SEE REVISION TABLE | | | | |
| mm | 4:1 | | | | | |
| GENERAL TOLERANCES (UNLESS SPECIFIED) | | EC NO: CO-000001228 | | MX150 1X2 BLADE SEALED ASSEMBLY MAT SEAL | | |
| ANGULAR TOL | ± 3° | DRWN: MattYoung 21-Jul-2022 | | PRODUCT SALES DRAWING | | |
| 4 PLACES | ± 0 | CHK'D: Joe Fox 01-Aug-2022 | | DOCUMENT NUMBER | | |
| 3 PLACES | ± 0 | APPR: Katy Boruszewski 02-Aug-2022 | | SD-33481-021 | | |
| 2 PLACES | ± 0.1 | INITIAL REVISION: | | DOC TYPE | DOC PART | REVISION |
| 1 PLACE | ± 0.2 | DRWN: RFC_PLMIMP | | PSD | 001 | A14 |
| 0 PLACES | ± 0 | APPR: | | SHEET NUMBER | | |
| DRAFT WHERE APPLICABLE MUST REMAIN WITHIN DIMENSIONS | | THIRD ANGLE PROJECTION | DRAWING | SERIES | MATERIAL NUMBER | CUSTOMER |
| | | | D-SIZE | 33481 | SEE BOM | GENERAL MARKET |
| | | | | | | 5 OF 9 |

BACKSHELL
 THE VIEWS ON THIS SHEET ARE
 IN THE CLOSED UN-ASSEMBLED POSITION



Partial W-W
 SCALE 4:1

THIS DRAWING CONTAINS INFORMATION THAT IS PROPRIETARY TO MOLEX ELECTRONIC TECHNOLOGIES, LLC AND SHOULD NOT BE USED WITHOUT WRITTEN PERMISSION

| DIMENSION UNITS | SCALE |
|-----------------|-------|
| mm | 4:1 |

GENERAL TOLERANCES
 (UNLESS SPECIFIED)

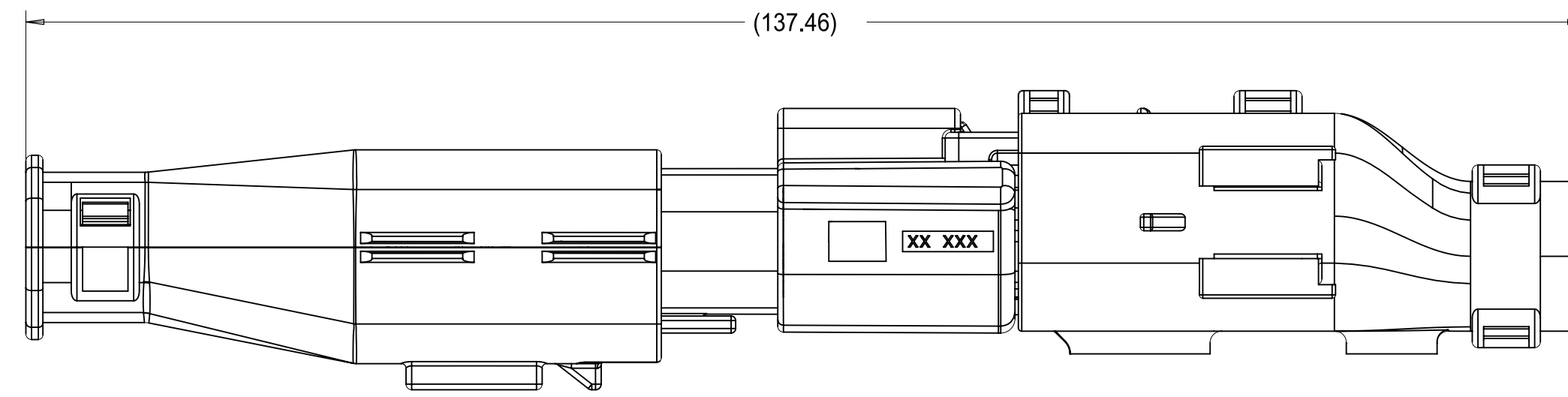
| | |
|-------------|-------|
| ANGULAR TOL | ± 3° |
| 4 PLACES | ± 0 |
| 3 PLACES | ± 0.1 |
| 2 PLACES | ± 0.2 |
| 1 PLACE | ± 0.2 |
| 0 PLACES | ± 0 |

CURRENT REV DESC: SEE REVISION TABLE

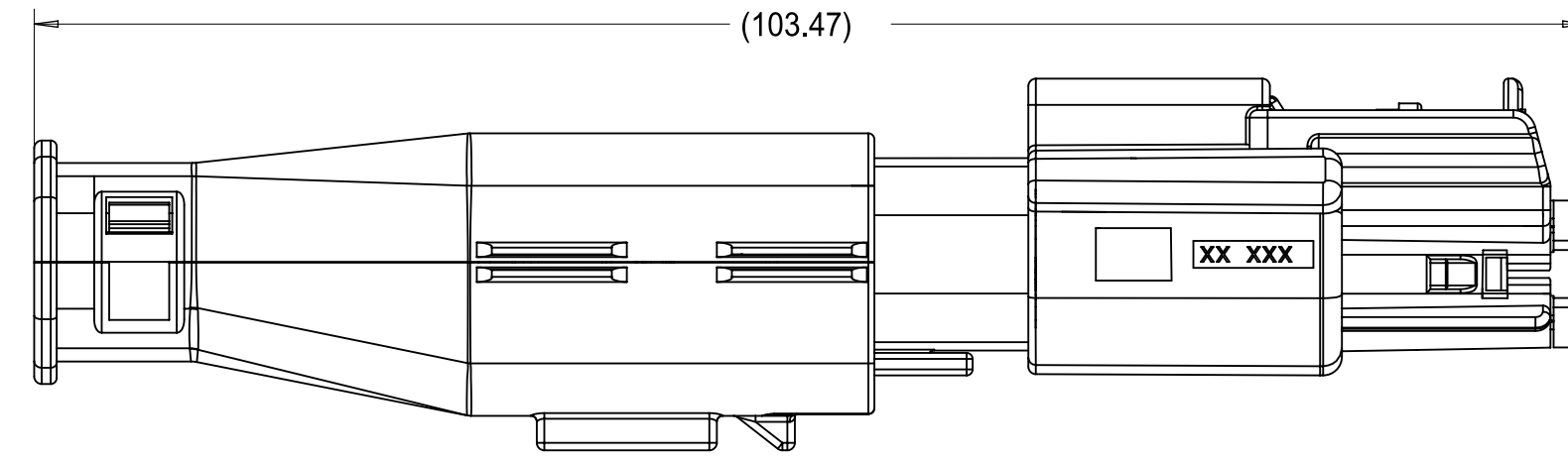
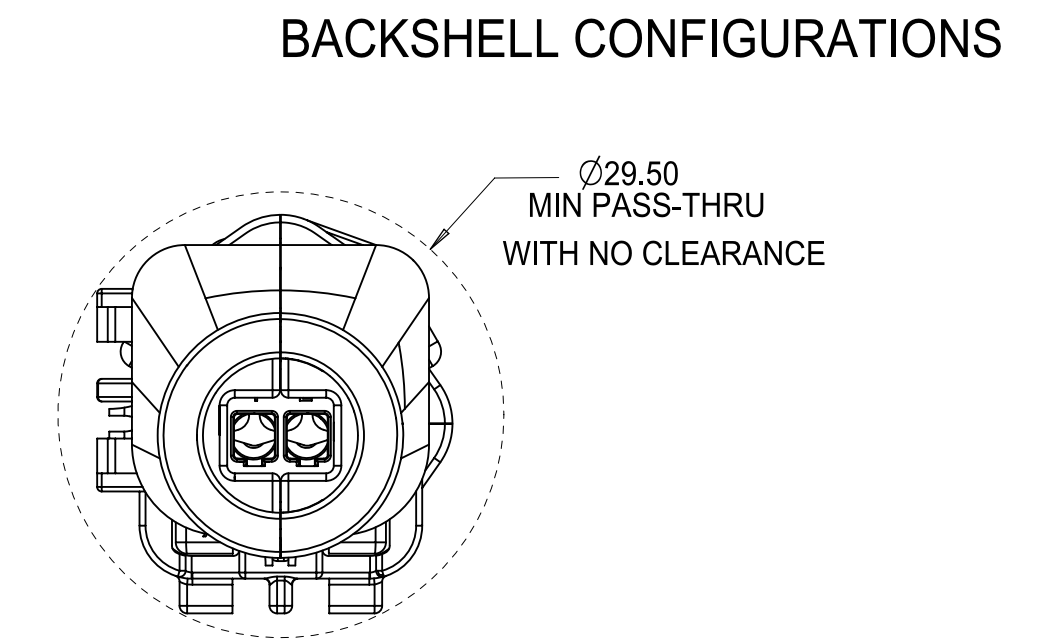
| | |
|-----------------------|-------------|
| EC NO: CO-000001228 | 21-Jul-2022 |
| DRWN: MattYoung | 01-Aug-2022 |
| CHK'D: Joe Fox | 02-Aug-2022 |
| APPR: Katy Borszewski | |

INITIAL REVISION:
 DRWN: RFC_PLMIMP
 APPR:

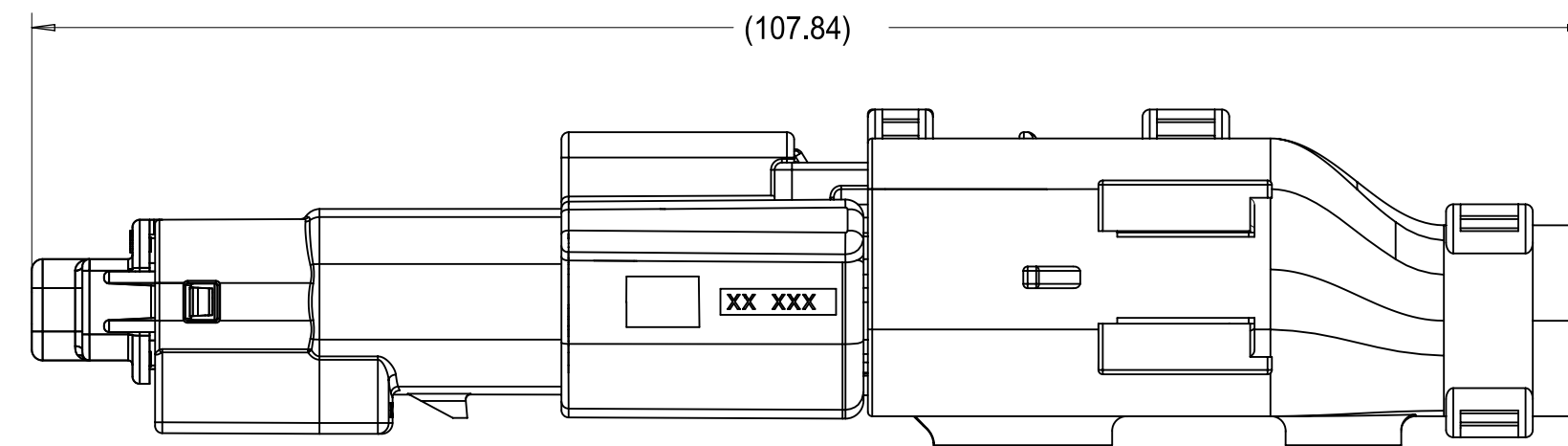
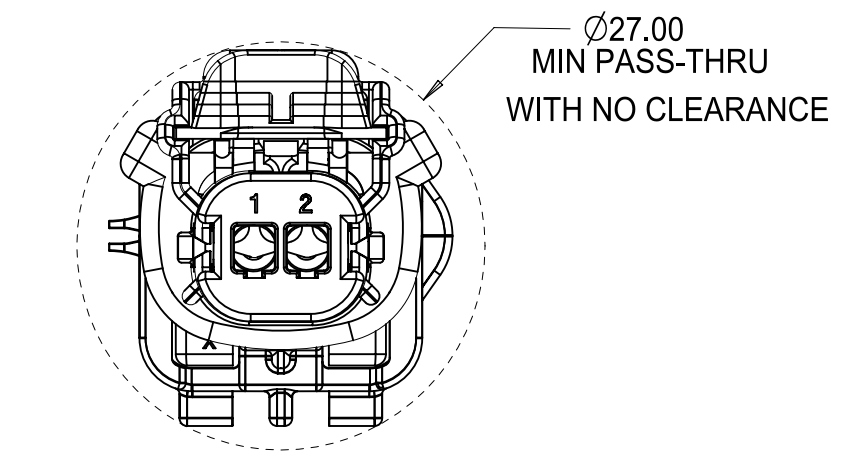
| | | | |
|---|----------------|--------------|----------|
| molex | | | |
| MX150 1X2 BLADE SEALED ASSEMBLY MAT SEAL | | | |
| PRODUCT SALES DRAWING | | | |
| DOCUMENT NUMBER | DOC TYPE | DOC PART | REVISION |
| SD-33481-021 | PSD | 001 | A14 |
| MATERIAL NUMBER | CUSTOMER | SHEET NUMBER | |
| SEE BOM | GENERAL MARKET | 6 OF 9 | |



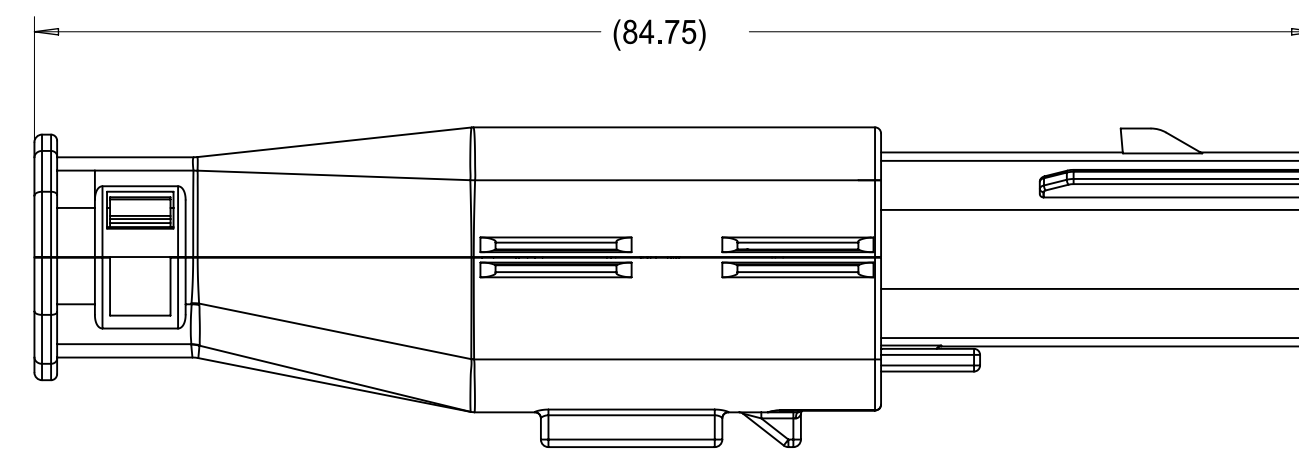
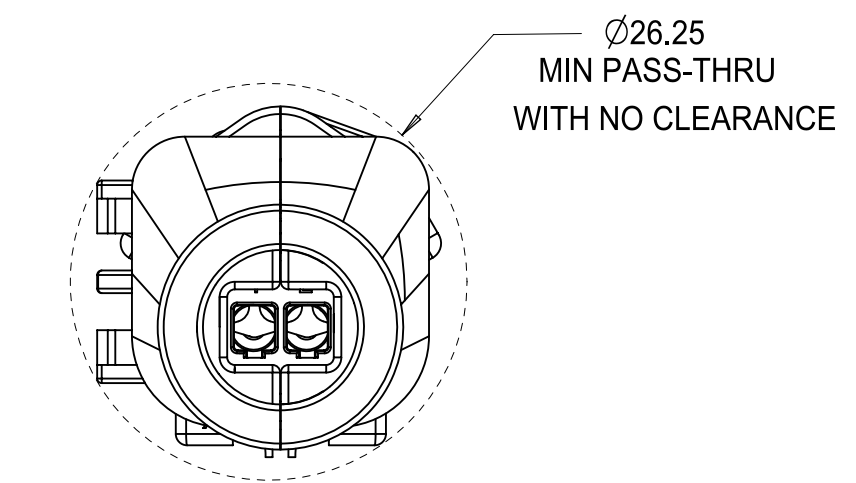
OVERALL MATED SYSTEM WITH BLADE AND RECEPTACLE BACKSHELL



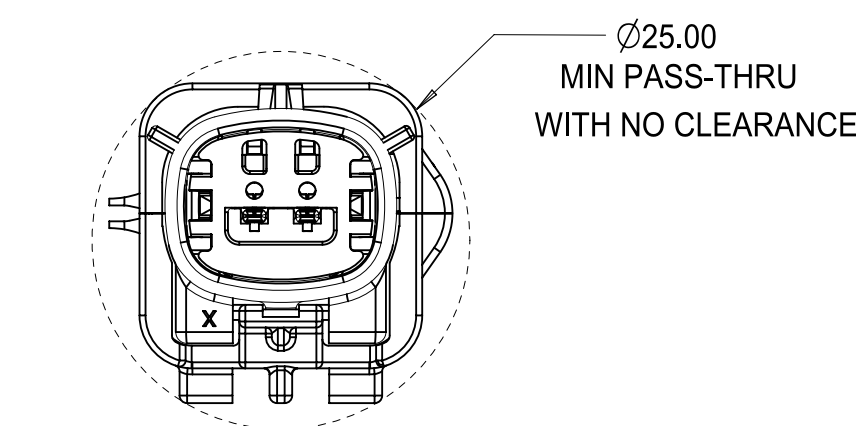
OVERALL MATED SYSTEM WITH BLADE BACKSHELL



OVERALL MATED SYSTEM WITH RECEPTACLE BACKSHELL



BLADE SEALED ASSEMBLY WITH BLADE BACKSHELL


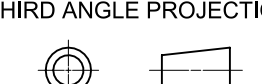


THIS DRAWING CONTAINS INFORMATION THAT IS PROPRIETARY TO MOLEX ELECTRONIC TECHNOLOGIES, LLC AND SHOULD NOT BE USED WITHOUT WRITTEN PERMISSION



| | | | | | | |
|--|-------|--------------------------------------|---------|--|-----------------|----------------|
| DIMENSION UNITS | SCALE | CURRENT REV DESC: SEE REVISION TABLE | | | | |
| mm | 2:1 | | | | | |
| GENERAL TOLERANCES (UNLESS SPECIFIED) | | EC NO: CO-000001228 | | MX150 1X2 BLADE SEALED ASSEMBLY MAT SEAL | | |
| ANGULAR TOL ± 3° | | DRWN: MattYoung | | 21-Jul-2022 | | |
| 4 PLACES ± 0 | | CHK'D: Joe Fox | | 01-Aug-2022 | | |
| 3 PLACES ± 0 | | APPR: Katy Boruszewski | | 02-Aug-2022 | | |
| 2 PLACES ± 0.1 | | INITIAL REVISION: | | PRODUCT SALES DRAWING | | |
| 1 PLACE ± 0.2 | | DRWN: RFC_PLMIMP | | DOCUMENT NUMBER | | |
| 0 PLACES ± 0 | | APPR: | | SD-33481-021 | | |
| DRAFT WHERE APPLICABLE MUST REMAIN WITHIN DIMENSIONS | | THIRD ANGLE PROJECTION | DRAWING | SERIES | MATERIAL NUMBER | CUSTOMER |
| | | | D-SIZE | 33481 | SEE BOM | GENERAL MARKET |
| | | | | | | SHEET NUMBER |
| | | | | | | 7 OF 9 |

| | | | | | | | | | | | | | | | | | |
|--|-----------------------|------------------|------------|---|---|--------------------------------|-----|-----|------|-----------------|---|----------------------|--------|----------|---------------------|------------------------|------------|
| KEY A, YELLOW | 33481-0210 | | | | | A | GCO | | | | | | | OBSOLETE | | 34948-0210 | 34948-0220 |
| KEY A, BLACK | 33481-0209 | A | | | | | | | GCP2 | | 2 | | | OBSOLETE | | 34948-0210 | 34948-0220 |
| KEY D, STONE GRAY | 33481-0208 | | | | D | | | GCP | | 1 | 2 | | | OBSOLETE | | 34948-0210 | 34948-0220 |
| KEY C, DARK GRAY | 33481-0207 | | | C | | | | GCP | | 1 | 2 | | | OBSOLETE | | 34948-0210 | 34948-0220 |
| KEY B, LIGHT GRAY | 33481-0206 | | B | | | | | GCP | | 1 | 2 | | | OBSOLETE | | 34948-0210 | 34948-0220 |
| KEY A, BLACK | 33481-0205 | A | | | | | | GCP | | 1 | 2 | | | OBSOLETE | | 34948-0210 | 34948-0220 |
| KEY D, STONE GRAY | 33481-0204 | | | | D | | GCO | | | | | | | OBSOLETE | | 34948-0210 | 34948-0220 |
| KEY C, DARK GRAY | 33481-0203 | | | C | | | GCO | | | | | | | OBSOLETE | | 34948-0210 | 34948-0220 |
| KEY B, LIGHT GRAY | 33481-0202 | | B | | | | GCO | | | | | | | OBSOLETE | | 34948-0210 | 34948-0220 |
| KEY A, BLACK | 33481-0201 | A | | | | | GCO | | | | | | | OBSOLETE | | 34948-0210 | 34948-0220 |
| ASSEMBLY DESCRIPTION | ASSEMBLY PART NUMBERS | A | B | C | D | A | GCO | GCP | GCP2 | 1 | 2 | | STATUS | COMMENTS | BACKSHELL WITH RIBS | BACKSHELL WITHOUT RIBS | |
| | | BLOCKED TERMINAL | | | | | | | | | | OPTIONAL ATTACHMENTS | | | | | |
| CAVITY WITH A NUMBER INDICATES BLOCKED TERMINAL POSITION | | | | | | | | | | SOLD SEPARATELY | | | | | | | |
| CAVITY WITHOUT A NUMBER INDICATES OPEN TERMINAL POSITION | | | | | | | | | | | | | | | | | |
| MAT SEAL | | | RUST RED | | | INHERENTLY LUBRICATED SILICONE | | | | | | | | | | | |
| PLR | | | NATURAL | | | SPS/NYLON GF20 | | | | | | | | | | | |
| GROMMET CAP (CAVITY 2 PLUGGED) | | | BLACK | | | SPS/NYLON GF20 | | | | | | | | | | | |
| GROMMET CAP (PLUGGED) | | | BLACK | | | SPS/NYLON GF20 | | | | | | | | | | | |
| GROMMET CAP (OPEN) | | | BLACK | | | SPS/NYLON GF20 | | | | | | | | | | | |
| HOUSING - KEYING OPTION A | | | YELLOW | | | SPS/NYLON GF20 | | | | | | | | | | | |
| HOUSING - KEYING OPTION D | | | STONE GRAY | | | SPS/NYLON GF20 | | | | | | | | | | | |
| HOUSING - KEYING OPTION C | | | DARK GRAY | | | SPS/NYLON GF20 | | | | | | | | | | | |
| HOUSING - KEYING OPTION B | | | LIGHT GRAY | | | SPS/NYLON GF20 | | | | | | | | | | | |
| HOUSING - KEYING OPTION A | | | BLACK | | | SPS/NYLON GF20 | | | | | | | | | | | |
| DESCRIPTION | | | COLOR | | | MATERIAL | | | | | | | | | | | |
| BOM/APPLICABLE COMPONENTS TABLE | | | | | | | | | | | | | | | | | |

| LEGEND TABLE | |
|--------------|--------------------------------|
| ABREVIATION | COMPONENT |
| A | HOUSING KEY A |
| B | HOUSING KEY B |
| C | HOUSING KEY C |
| D | HOUSING KEY D |
| GCO | GROMMET CAP (OPEN) |
| GCP | GROMMET CAP (PLUGGED) |
| GCP2 | GROMMET CAP (CAVITY 2 PLUGGED) |
| P | PLR, STANDARD |
| M | MAT SEAL |
| BKS | BACKSHELL |

| | | | | | | | | | |
|---|--|-------|--|--|--|----------------|--|--------------|--|
| THIS DRAWING CONTAINS INFORMATION THAT IS PROPRIETARY TO MOLEX ELECTRONIC TECHNOLOGIES, LLC AND SHOULD NOT BE USED WITHOUT WRITTEN PERMISSION | | | | | | | | | |
| DIMENSION UNITS | | SCALE | | CURRENT REV DESC: SEE REVISION TABLE | | | | | |
| mm | | 1:1 | |  <p>MX150 1X2 BLADE SEALED ASSEMBLY MAT SEAL</p> <p>PRODUCT SALES DRAWING</p> | | | | | |
| GENERAL TOLERANCES (UNLESS SPECIFIED) | | | | | | | | | |
| ANGULAR TOL | | ± 3° | | | | | | | |
| 4 PLACES | | ± 0 | | | | | | | |
| 3 PLACES | | ± 0 | | | | | | | |
| 2 PLACES | | ± 0.1 | | EC NO: CO-000001228 | | 21-Jul-2022 | | | |
| 1 PLACE | | ± 0.2 | | DRWN: MattYoung | | 01-Aug-2022 | | | |
| 0 PLACES | | ± 0 | | CHK'D: Joe Fox | | 02-Aug-2022 | | | |
| DRAFT WHERE APPLICABLE MUST REMAIN WITHIN DIMENSIONS | | | | THIRD ANGLE PROJECTION | | DRAWING | | SERIES | |
| | | | |  | | D-SIZE | | 33481 | |
| | | | | MATERIAL NUMBER | | CUSTOMER | | SHEET NUMBER | |
| | | | | SEE BOM | | GENERAL MARKET | | 8 OF 9 | |
| | | | | DOCUMENT NUMBER | | DOC TYPE | | DOC PART | |
| | | | | SD-33481-021 | | PSD | | 001 A14 | |

| | | | | | | | | | | | | | | | | |
|--|-----------------------|------------------|------------|---|---|--------------------------------|-----|------|------|-----------------|---|----------------------|----------|----------|---------------------|------------------------|
| KEY A, YELLOW | 33481-2210 | | | | | A | GCO | | | | | | SALEABLE | | 34948-0210 | 34948-0220 |
| KEY A, BLACK | 33481-2209 | A | | | | | | GCP2 | | | 2 | | SALEABLE | | 34948-0210 | 34948-0220 |
| KEY D, STONE GRAY | 33481-2208 | | | D | | | | GCP | | 1 | 2 | | SALEABLE | | 34948-0210 | 34948-0220 |
| KEY C, DARK GRAY | 33481-2207 | | | C | | | | GCP | | 1 | 2 | | SALEABLE | | 34948-0210 | 34948-0220 |
| KEY B, LIGHT GRAY | 33481-2206 | | B | | | | | GCP | | 1 | 2 | | SALEABLE | | 34948-0210 | 34948-0220 |
| KEY A, BLACK | 33481-2205 | A | | | | | | GCP | | 1 | 2 | | SALEABLE | | 34948-0210 | 34948-0220 |
| KEY D, STONE GRAY | 33481-2204 | | | D | | | GCO | | | | | | SALEABLE | | 34948-0210 | 34948-0220 |
| KEY C, DARK GRAY | 33481-2203 | | | C | | | GCO | | | | | | SALEABLE | | 34948-0210 | 34948-0220 |
| KEY B, LIGHT GRAY | 33481-2202 | | B | | | | GCO | | | | | | SALEABLE | | 34948-0210 | 34948-0220 |
| KEY A, BLACK | 33481-2201 | A | | | | | GCO | | | | | | SALEABLE | | 34948-0210 | 34948-0220 |
| ASSEMBLY DESCRIPTION | ASSEMBLY PART NUMBERS | A | B | C | D | A | GCO | GCP | GCP2 | 1 | 2 | | STATUS | COMMENTS | BACKSHELL WITH RIBS | BACKSHELL WITHOUT RIBS |
| | | BLOCKED TERMINAL | | | | | | | | | | OPTIONAL ATTACHMENTS | | | | |
| CAVITY WITH A NUMBER INDICATES BLOCKED TERMINAL POSITION | | | | | | | | | | SOLD SEPARATELY | | | | | | |
| CAVITY WITHOUT A NUMBER INDICATES OPEN TERMINAL POSITION | | | | | | | | | | | | | | | | |
| MAT SEAL | | | GREEN | | | INHERENTLY LUBRICATED SILICONE | | | | | | | | | | |
| PLR | | | NATURAL | | | SPS/NYLON GF20 | | | | | | | | | | |
| GROMMET CAP (CAVITY 2 PLUGGED) | | | BLACK | | | SPS/NYLON GF20 | | | | | | | | | | |
| GROMMET CAP (PLUGGED) | | | BLACK | | | SPS/NYLON GF20 | | | | | | | | | | |
| GROMMET CAP (OPEN) | | | BLACK | | | SPS/NYLON GF20 | | | | | | | | | | |
| HOUSING - KEYING OPTION A | | | YELLOW | | | SPS/NYLON GF20 | | | | | | | | | | |
| HOUSING - KEYING OPTION D | | | STONE GRAY | | | SPS/NYLON GF20 | | | | | | | | | | |
| HOUSING - KEYING OPTION C | | | DARK GRAY | | | SPS/NYLON GF20 | | | | | | | | | | |
| HOUSING - KEYING OPTION B | | | LIGHT GRAY | | | SPS/NYLON GF20 | | | | | | | | | | |
| HOUSING - KEYING OPTION A | | | BLACK | | | SPS/NYLON GF20 | | | | | | | | | | |
| DESCRIPTION | | | COLOR | | | MATERIAL | | | | | | | | | | |
| BOM/APPLICABLE COMPONENTS TABLE | | | | | | | | | | | | | | | | |

| | | | | | | | | | | | | | | | | |
|---|--|---|--|--|--|----------|--|----------|--|-----------------|--|----------|--|--------------|--|--|
| THIS DRAWING CONTAINS INFORMATION THAT IS PROPRIETARY TO MOLEX ELECTRONIC TECHNOLOGIES, LLC AND SHOULD NOT BE USED WITHOUT WRITTEN PERMISSION | | | | | | | | | | | | | | | | |
| DIMENSION UNITS | | SCALE | | CURRENT REV DESC: SEE REVISION TABLE | | | | | | | | | | | | |
| mm | | 1:1 | |  <p>MX150 1X2 BLADE SEALED ASSEMBLY MAT SEAL</p> <p>PRODUCT SALES DRAWING</p> <p>EC NO: CO-000001228 DRWN: MattYoung 21-Jul-2022 CHK'D: Joe Fox 01-Aug-2022 APPR: Katy Boruszewski 02-Aug-2022</p> <p>INITIAL REVISION: DRWN: RFC_PLMIMP APPR:</p> | | | | | | | | | | | | |
| GENERAL TOLERANCES (UNLESS SPECIFIED) | | | | | | | | | | | | | | | | |
| ANGULAR TOL | | ± 3° | | | | | | | | | | | | | | |
| 4 PLACES | | ± 0 | | | | | | | | | | | | | | |
| 3 PLACES | | ± 0 | | | | | | | | | | | | | | |
| 2 PLACES | | ± 0.1 | | | | | | | | | | | | | | |
| 1 PLACE | | ± 0.2 | | | | | | | | | | | | | | |
| 0 PLACES | | ± 0 | | | | | | | | | | | | | | |
| DRAFT WHERE APPLICABLE MUST REMAIN WITHIN DIMENSIONS | | | | THIRD ANGLE PROJECTION | | DRAWING | | SERIES | | MATERIAL NUMBER | | CUSTOMER | | SHEET NUMBER | | |
| | |  | | D-SIZE | | 33481 | | SEE BOM | | GENERAL MARKET | | 9 OF 9 | | | | |
| DOCUMENT NUMBER | | | | DOC TYPE | | DOC PART | | REVISION | | | | | | | | |
| SD-33481-021 | | | | PSD | | 001 | | A14 | | | | | | | | |