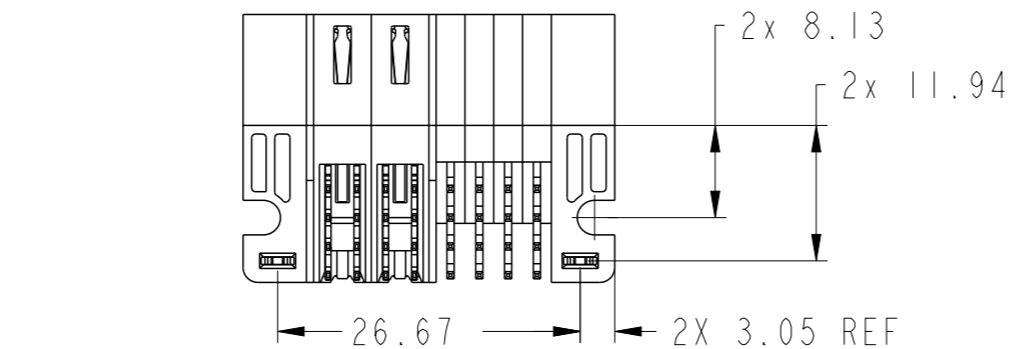
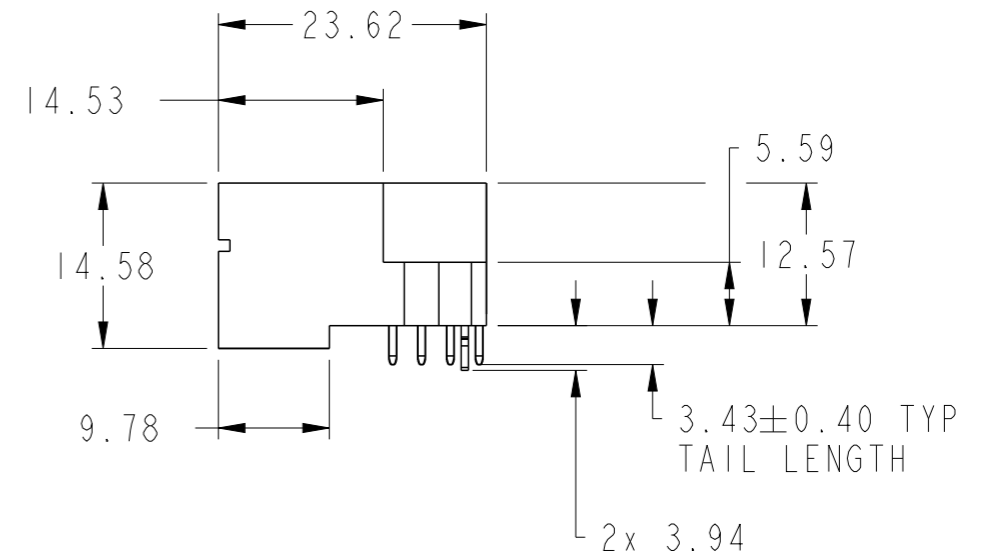
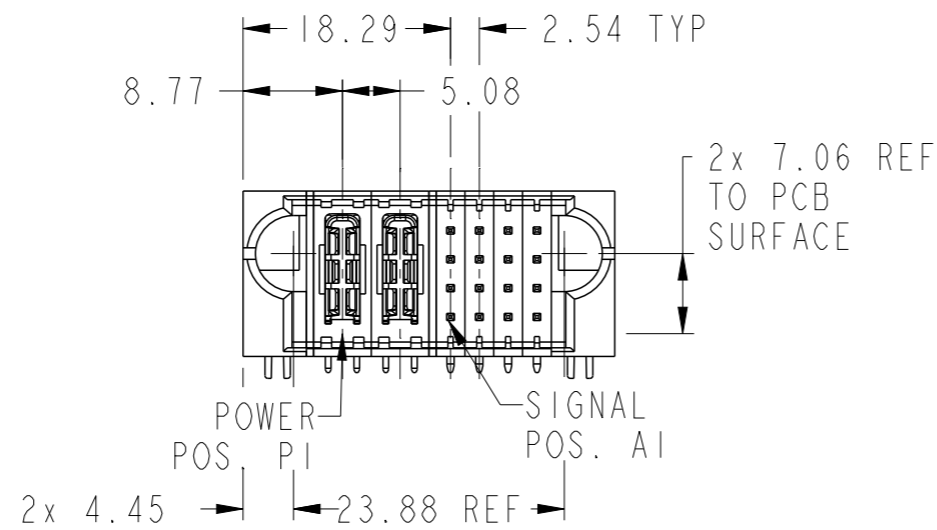
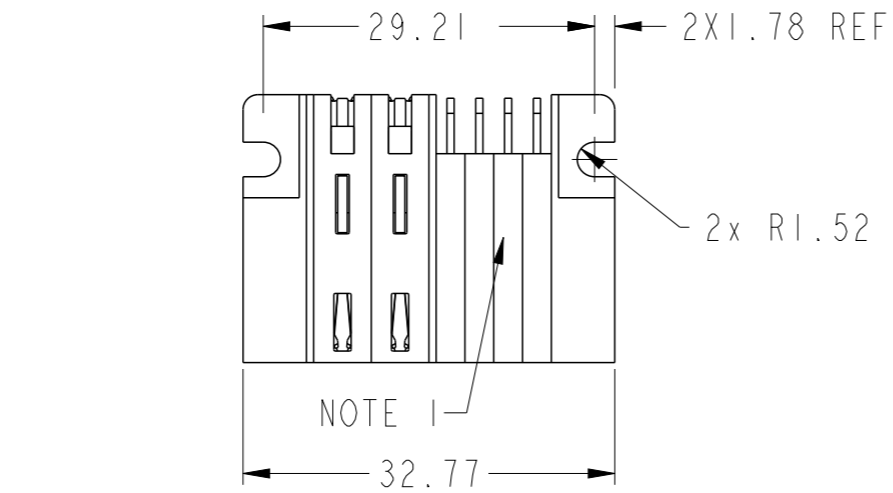
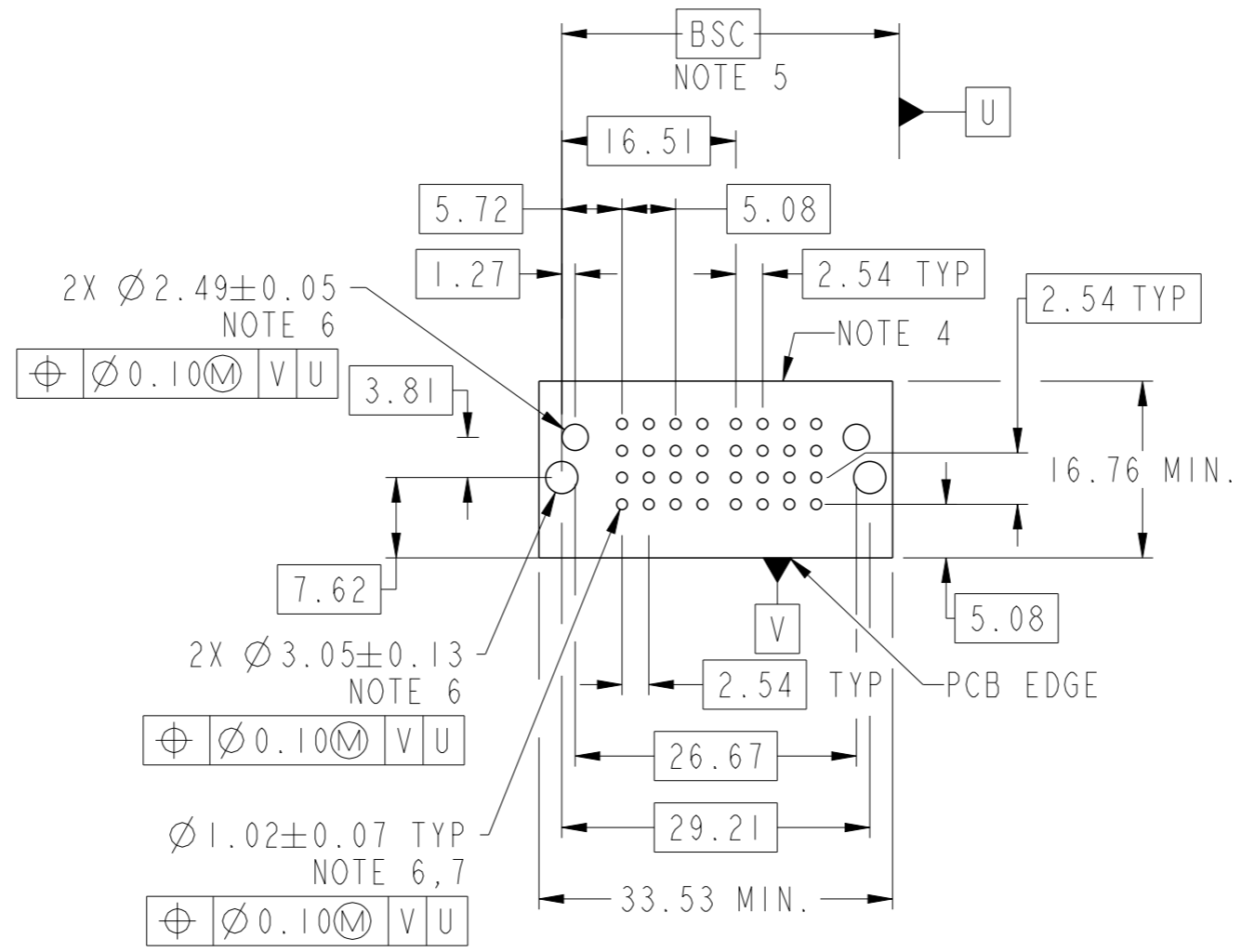


PRODUCT NUMBER SEE SHEET 2



spec ref	*	dr	Rainbow Zhan	2015/12/01	projection	MM	size	A3	scale	3:2										
tolerance std	ASME Y14.5	eng	Vicking Liu	2015/12/18			ecn no	-	rel level	Released										
TOLERANCES UNLESS OTHERWISE SPECIFIED		chr	Fancy Zhang	2015/12/18			product family	PwrBlade+	rel level	Released										
surface	<table border="1"> <tr> <td>linear</td> <td>0.X</td> <td>±0.5</td> </tr> <tr> <td></td> <td>0.XX</td> <td>±0.25</td> </tr> <tr> <td></td> <td>0.XXX</td> <td>±0.10</td> </tr> <tr> <td>angular</td> <td>0°</td> <td>±2°</td> </tr> </table>	linear	0.X	±0.5		0.XX	±0.25		0.XXX	±0.10	angular	0°	±2°	appr	Pei-Ming Zheng	2015/12/18	product family	PwrBlade+	rel level	Released
linear	0.X	±0.5																		
	0.XX	±0.25																		
	0.XXX	±0.10																		
angular	0°	±2°																		
ASME Y14.5	<table border="1"> <tr> <td>linear</td> <td>0.X</td> <td>±0.5</td> </tr> <tr> <td></td> <td>0.XX</td> <td>±0.25</td> </tr> <tr> <td></td> <td>0.XXX</td> <td>±0.10</td> </tr> <tr> <td>angular</td> <td>0°</td> <td>±2°</td> </tr> </table>	linear	0.X	±0.5		0.XX	±0.25		0.XXX	±0.10	angular	0°	±2°	www.fci.com	cat. no.	2HDP + 16S RA STB HEADER	Product - Customer Drw	sheet 1 of 3		
linear	0.X	±0.5																		
	0.XX	±0.25																		
	0.XXX	±0.10																		
angular	0°	±2°																		
		FCI	cat. no.	10106132-2004001	rev	A														

PRODUCT NO.	ROWS	HP			SIGNAL				
		E1	P1	P2	1	2	3	4	E2
10106132-2004001LF	DCBA	HA	H1	H1	UUUU	TTTT	SSSS	RRRR	HA



CODE	DESCRIPTION
HI	STD HIGH POWER CONTACT (3.43)
HA	METAL HOLD DOWN
R	STD SIGNAL CONTACT, ROW A (3.43)
S	STD SIGNAL CONTACT, ROW B (3.43)
T	STD SIGNAL CONTACT, ROW C (3.43)
U	STD SIGNAL CONTACT, ROW D (3.43)

dr	Rainbow Zhan	2015/12/01	projection	MM	size	A3	scale	3:2
eng	Vicking Liu	2015/12/18			ecn no		-	
chr	Fancy Zhang	2015/12/18			product family		PwrBlade+	rel level
appr	Pei-Ming Zheng	2015/12/18			title 2HDP + 16S RA STB HEADER		dwg no 10106132-2004001	rev A
www.fci.com			cat. no.		Product - Customer Drw			sheet 2 of 3

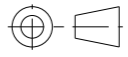
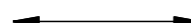

Copyright FCI. FCI

NOTES:

- 1) "FCI", PART NUMBER AND DATE CODE TO BE MARKED ON THIS SURFACE.
THE MARK CAN BE OMITTED IF THERE IS NOT ENOUGH SPACE ON THIS SURFACE.
- 2) MATERIALS:
-HOUSING - GLASS FILLED WITH HIGH TEMP THERMOPLASTIC, UL94V-0.
-SIGNAL CONTACT - COPPER ALLOY.
-POWER CONTACT - HIGH CONDUCTIVITY COPPER ALLOY.
- 3) PLATING SPECIFICATION REFER TO FCI 10116351
- 4) DENOTES CONNECTOR KEEP OUT ZONE.
- 5) DATUM AND BASIC DIMENSIONS WERE ESTABLISHED BY CUSTOMER.
- 6) ALL HOLE DIAMETERS ARE FINISHED HOLE SIZES.
- 7) 1.15 ± 0.025 MM DRILLED HOLE PLATED WITH 0.00762MM MIN Sn
OVER 0.0254-0.0762MM Cu PLATING TO ACHIEVE A 1.02 ± 0.07 MM HOLE.
- 8) PRODUCT SPECIFICATION REFER TO FCI GS-12-658.
APPLICATION SPECIFICATION REFER TO FCI GS-20-141.
PRODUCT PACKAGED IN TRAYS, REFER TO FCI GS-14-1502.



Copyright FCI.

dr	Rainbow Zhan	2015/12/01	projection 	MM 	size	A3	scale	3:2
eng	Vicking Liu	2015/12/18			ecn no	-		
chr	Fancy Zhang	2015/12/18			product family	PwrBlade+	rel level	Released
appr	Pei-Ming Zheng	2015/12/18			title 2HDP + 16S RA STB HEADER	dwg no 10106132-2004001	rev A	
www.fci.com			cat. no.	Product - Customer Drw		sheet 3 of 3		