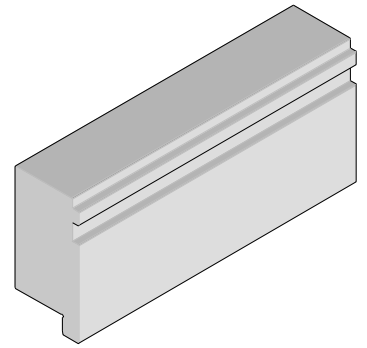




**Module Installation
Application Tooling Specification
Press-In Tools
Order No. 62201-8301**



FEATURES

- Lip provided for positive alignment to connector assembly.
- Tool provides uniform distribution of press force across entire pin array.
- May be used as a stand-alone tool or mounted in an optional holder with other Molex press-in tools.

SCOPE

Products: AMC B+ 1.15mm Extended Connector Assembly 75791, 75800, and 75908 Series. See Product List below for specific application tools.

Product List

The following is a partial list of the product order numbers and their specifications that this tool is designed to run. Updates to this list are available on www.molex.com.

	Assembly No.	Description
62201-8301	75791-0001	AMC B+ Extended Height
	75791-0002	AMC B+ Extended Height
	75800-0001	AMC B+
	75800-0002	AMC B+
	75908-0001	AMC B+ No Pegs
	75908-0002	AMC B+ No Pegs

Tool Setup

Depending on the number of connectors to be installed and/or the press used, this tool can be used alone or with a group of press-in tools, mounted in a 62201-95XX rail (ordered separately). See Figure 1.

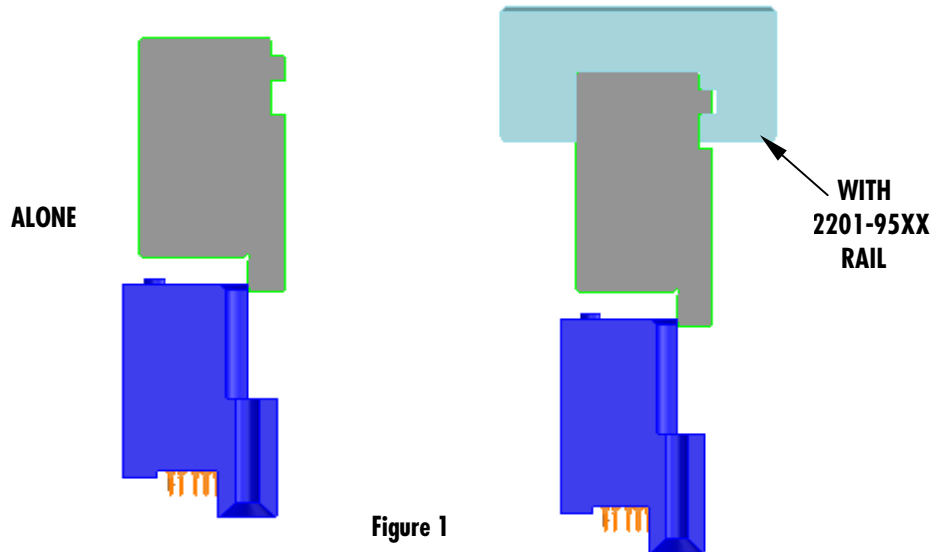


Figure 1

The 62201-95XX rail is available in a variety of lengths to accommodate multiple press-in tools:

Rail Part Number	Rail Overall Length
62201-9501	24mm (0.94 in)
62201-9502	72mm (2.83 in)
62201-9503	156mm (6.14 in)
62201-9504	216mm (8.50 in)
62201-9509	254mm (10.0 in)
62201-9511	305mm (12.0 in)

Reference: The 62201-8301 Press-In Tool is 68mm (2.67 in.) long.

Printed Circuit Board (PCB) Support

The AMC B+ connectors require up to 3.6kg (8 lb) of force per pin to press into the PCB. To prevent excessive PCB flexure and/or damage to the PCB, a support plate is strongly recommended directly beneath the connector hole pattern.

Due to the custom nature of every application, Molex does not offer any PCB support plate. The customer must furnish their own support plate.

When creating the PCB support plate, remember to allow clearance for the connector pins and guide module pegs as they pass through the PCB thickness.

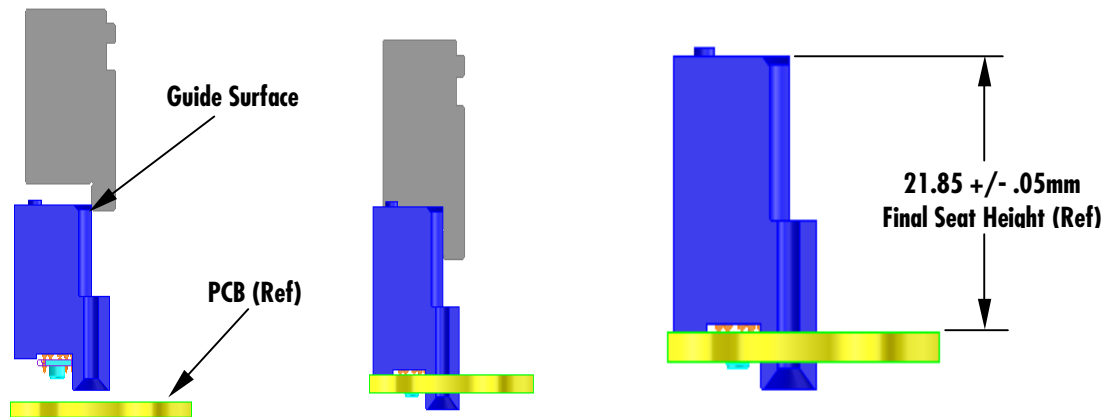
Press Equipment Recommendations

Many types of presses can be used to install AMC connectors, but to assure consistent connector installation Molex recommends the following press criteria:

1. The capability to detect force variations as low as 4.5kg (10 lb) during the press-in cycle; excessive force measurements should stop the press-in cycle.
2. The rate of pressing can be regulated as low as 0.13mm (0.005in) per second.
3. Press stroke control to within 0.25mm (0.010in).
4. Total press stroke must be at least 19mm (0.75in).
5. For statistical purposes, automatic collection of force and distance data.

Tool Operation

1. Carefully insert, by hand, the module(s) into the PCB hole pattern.
2. Place the application tool on top of module with the back guide surface of the tool against the back of the module.
3. Using the application tool and an appropriate press, seat the module until the bottom of the plastic housing and the surface of the PCB is flush as shown below.



There should be no broken stand-offs along the perimeter of the part (an indication of over-pressing).

CAUTION: To prevent injury, never operate any press without the guards in place. Refer to the press manufacturer's instruction manual.

CAUTION: Molex application tooling specifications are valid only when used with Molex connectors and tooling.

Contact Information

For more information on Molex application tooling please contact Molex at 1-800-786-6539.

Molex Application Tooling Group
1150 E. Diehl Road
Naperville, IL 60563
Tel: (630) 969-4550
Fax: (630) 505-0049
Visit our Web site at <http://www.molex.com>