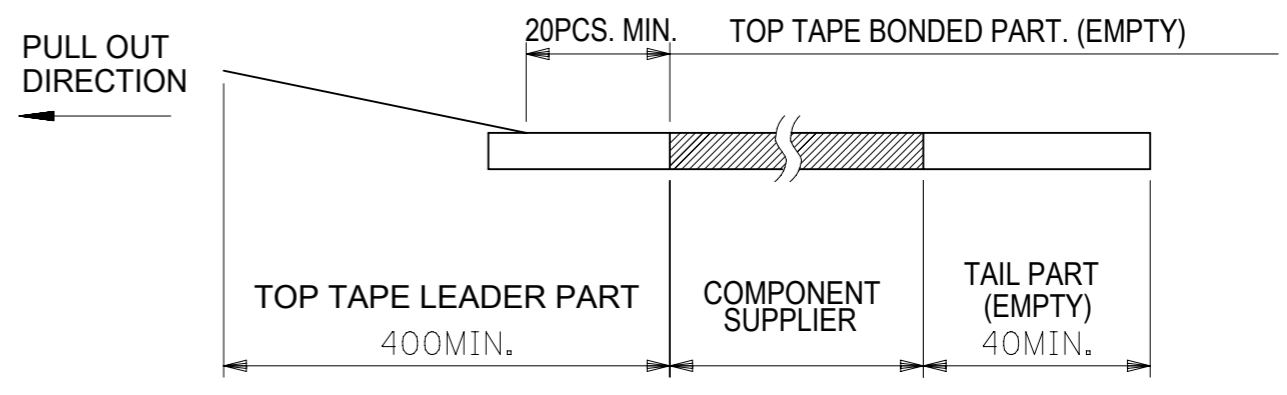
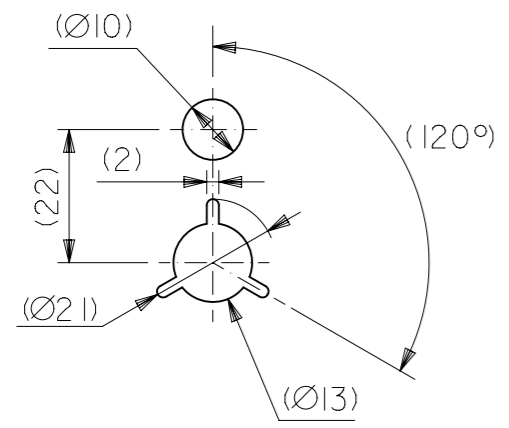


**NOTES**

1. DETAILED DIMENSIONS, SEE PRODUCT DRAWING.
2. NUMBER OF CONNECTORS : 8000PCS/REEL
3. LEAD TAPE LENGTH



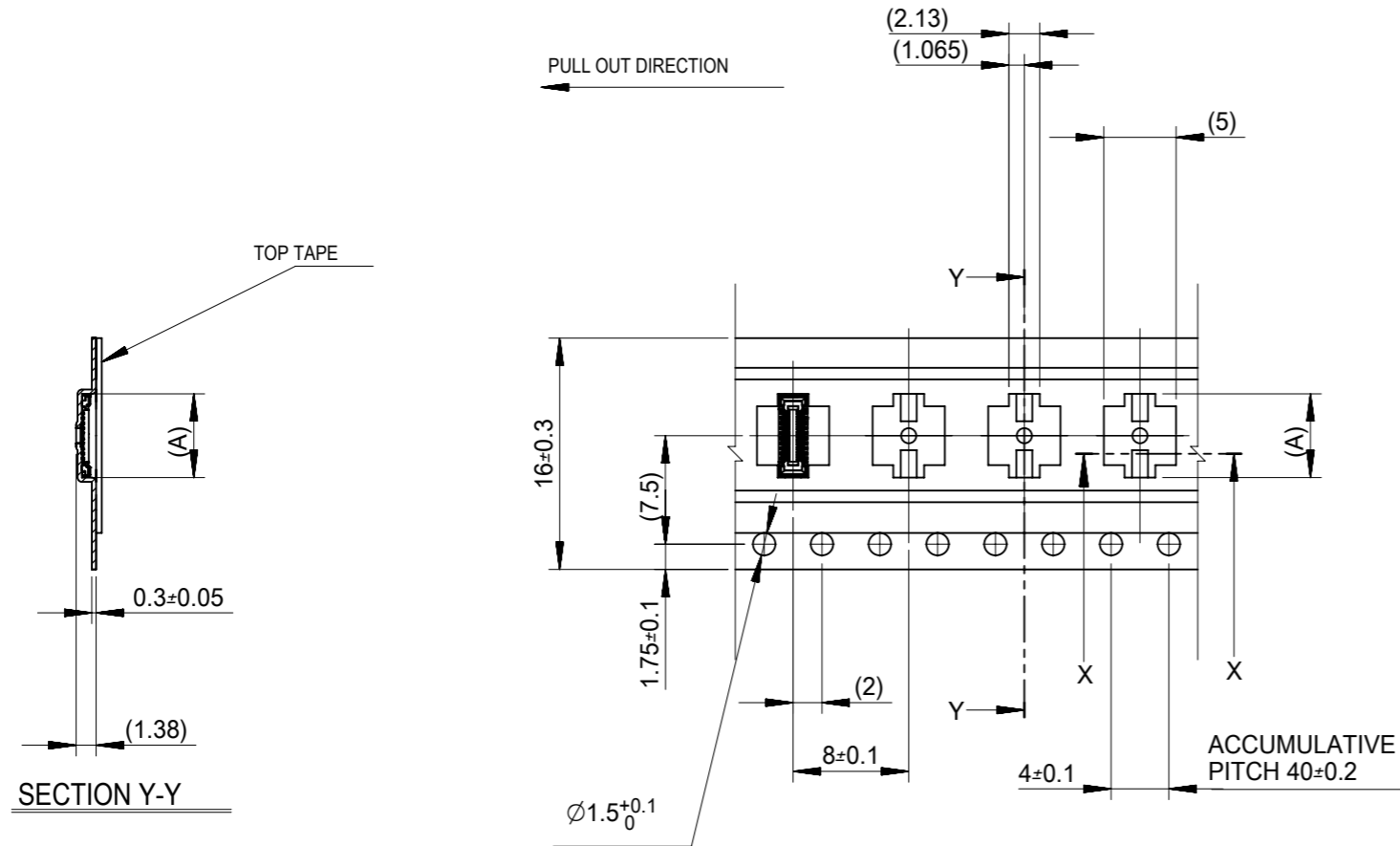
4. TOP TAPE PEEL FORCE IS DEFINED BY IEC60286-3.
5. MATERIAL  
 CARRIER TAPE : POLYSTYRENE  
 TOP TAPE : PET , OTHER  
 REEL : POLYSTYRENE (PS) <RECYCLE MATERIAL CONTAINED>



DETAIL "D"

MODEL NO. 504618-\*\*12

THIS DRAWING CONTAINS INFORMATION THAT IS PROPRIETARY TO MOLEX ELECTRONIC TECHNOLOGIES, LLC AND SHOULD NOT BE USED WITHOUT WRITTEN PERMISSION										
EC NO: 115186 DRWN: TNISHIDA02 CHK'D: KTANAKA03 APPR: TKUSUHARA01	GENERAL TOLERANCES (UNLESS SPECIFIED)			DIMENSION UNITS	SCALE					
	ANGULAR TOL ± °			MM	1:5					
	4 PLACES ±			DRWN BY	DATE	0.35 BB CONN. H=0.6 SSB6 REC. ASSY EMBSTP PKG				
	3 PLACES ±			TNISHIDA02	2017/03/29					
	2 PLACES ±			CHK'D BY	DATE	PRODUCT CUSTOMER DRAWING				
	1 PLACE ±			KTANAKA03	2017/03/31					
0 PLACES ±			APPR BY	DATE	SERIES: 504618    MATERIAL NUMBER: SEE CHART    CUSTOMER: GENERAL					
DRAFT WHERE APPLICABLE MUST REMAIN WITHIN DIMENSIONS			TKUSUHARA01	2017/04/03						
A			DRAWING SIZE	THIRD ANGLE PROJECTION	DOCUMENT NUMBER: 5046180000    DOC TYPE: PSD    DOC PART: 004    SHEET NUMBER: 1 OF 3					
A			A3							

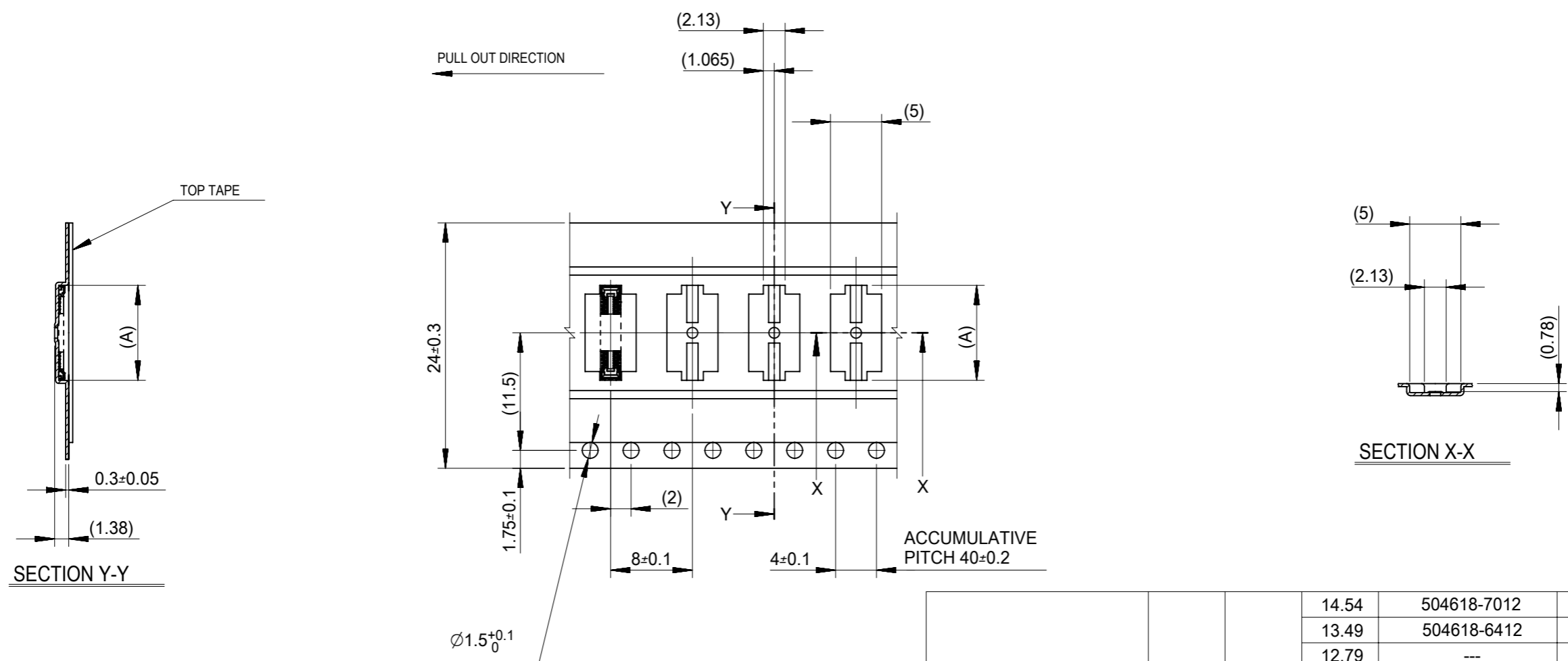


16	21.4	17.4	7.54	504618-3012	○	---	30
			6.49	504618-2412	○	---	24
			5.79	504618-2012	○	---	20
			5.44	---	---	---	18
			5.09	---	---	---	16
			4.39	---	---	---	12
			4.04	504618-1012	○	---	10
			3.34	---	---	---	6
キャリアテープ幅 CARRIER TAPE WIDTH	C	B	(A)	EMBOSSED TAPE PACKAGE	HIGH VOL. TOOL	LOW VOL. TOOL	CIRCUIT
				ORDER NO.	SAMPLE PREPARATION ○ : TOOLED △ : WORK IN PROCESS --- : TOOLING TO BE CONFIRMED		

CONNECTOR SERIES NO.:504618-\*\*09

THIS DRAWING CONTAINS INFORMATION THAT IS PROPRIETARY TO MOLEX ELECTRONIC TECHNOLOGIES, LLC AND SHOULD NOT BE USED WITHOUT WRITTEN PERMISSION

EC NO: 115186 DRWN: TNISHIDA02 CHK'D: KTANAKA03 APPR: TKUSUHARA01	2017/03/29 2017/03/31 2017/04/03	GENERAL TOLERANCES (UNLESS SPECIFIED) ANGULAR TOL ± ° 4 PLACES ± 3 PLACES ± 2 PLACES ± 1 PLACE ± 0 PLACES ±	DIMENSION UNITS: MM SCALE: 2:1 DRWN BY: TNISHIDA02 DATE: 2017/03/29 CHK'D BY: KTANAKA03 DATE: 2017/03/31 APPR BY: TKUSUHARA01 DATE: 2017/04/03		
	DRAFT WHERE APPLICABLE MUST REMAIN WITHIN DIMENSIONS				DRAWING SIZE: A3 THIRD ANGLE PROJECTION
	0.35 BB CONN. H=0.6 SSB6 REC. ASSY EMBSTP PKG				PRODUCT CUSTOMER DRAWING SERIES: 504618 MATERIAL NUMBER: SEE CHART CUSTOMER: GENERAL DOCUMENT NUMBER: 5046180000 DOC TYPE: PSD DOC PART: 004 SHEET NUMBER: 2 OF 3
	RELEASED				
	EC NO: 115186 DRWN: TNISHIDA02 CHK'D: KTANAKA03 APPR: TKUSUHARA01				

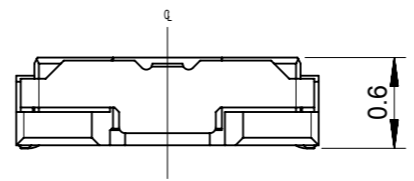
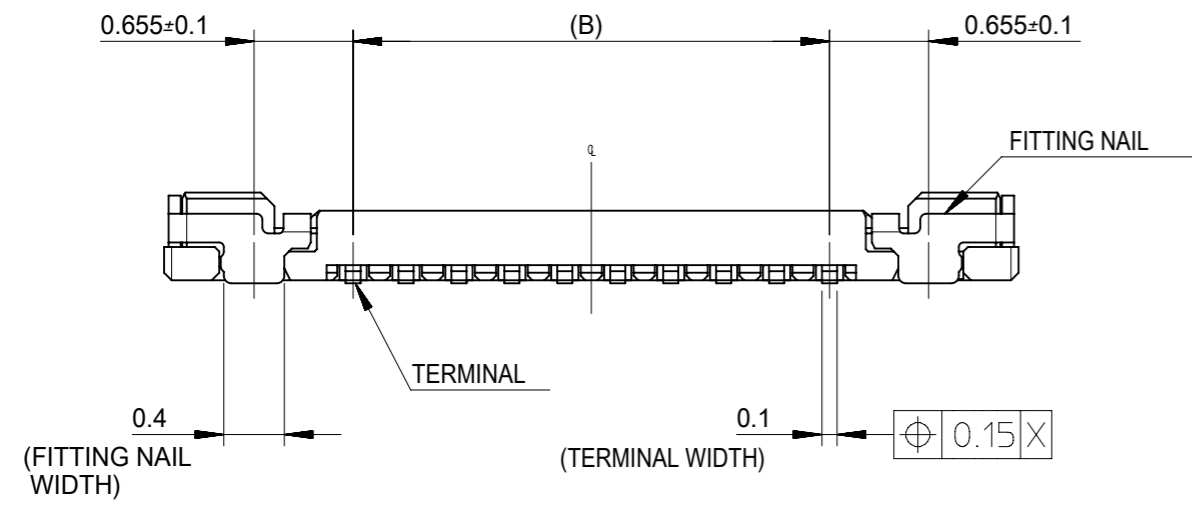
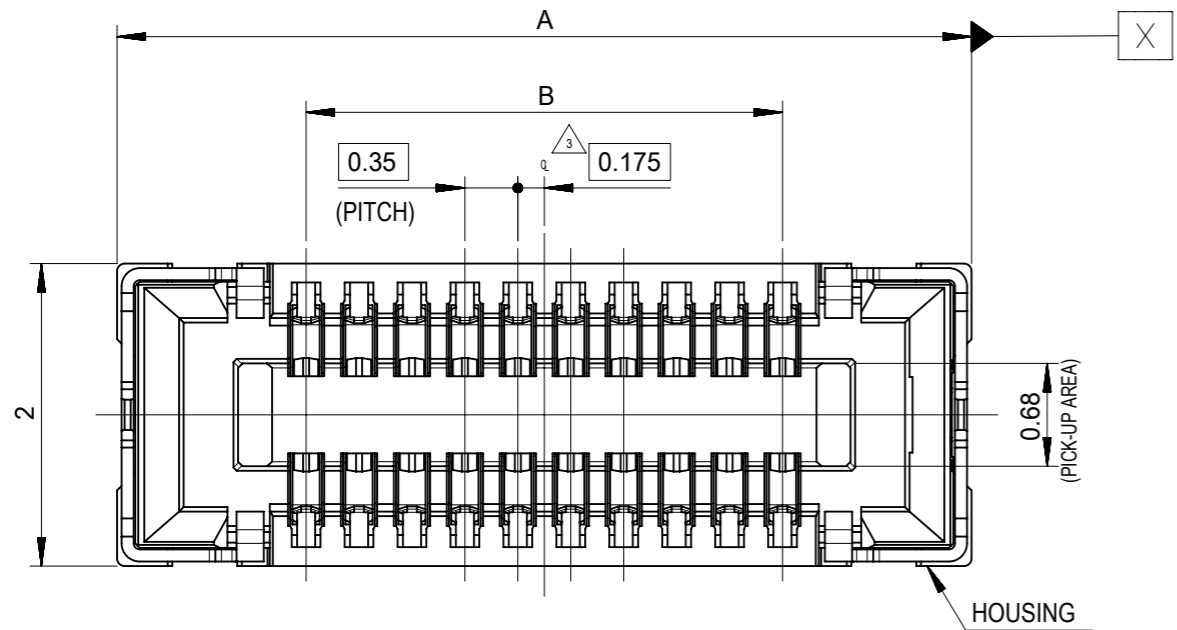


24	29.4	25.4	14.54	504618-7012	○	---	70	
			13.49	504618-6412	○	---	64	
			12.79	---	---	---	60	
			12.44	---	---	---	58	
			11.74	---	---	---	54	
			11.04	504618-5012	○	---	50	
			10.69	---	---	---	48	
			9.46	---	---	---	42	
			9.29	504618-4012	○	---	40	
			8.94	---	---	---	38	
8.24	504618-3412	○	---	34				
キャリアテープ幅 CARRIER TAPE WIDTH		C	B	(A)	EMBOSSED TAPE PACKAGE	HIGH VOL. TOOL	LOW VOL. TOOL	CIRCUIT
					ORDER NO.	SAMPLE PREPARATION ○ : TOOLED △ : WORK IN PROCESS --- : TOOLING TO BE CONFIRMED		

CONNECTOR SERIES NO.:504618-\*\*09

THIS DRAWING CONTAINS INFORMATION THAT IS PROPRIETARY TO MOLEX ELECTRONIC TECHNOLOGIES, LLC AND SHOULD NOT BE USED WITHOUT WRITTEN PERMISSION

EC NO: 115186 DRWN: TNISHIDA02 CHK'D: KTANAKA03 APPR: TKUSUHARA01	2017/03/29 2017/03/31 2017/04/03	GENERAL TOLERANCES (UNLESS SPECIFIED) ANGULAR TOL ± ° 4 PLACES ± 3 PLACES ± 2 PLACES ± 1 PLACE ± 0 PLACES ± DRAFT WHERE APPLICABLE MUST REMAIN WITHIN DIMENSIONS	DIMENSION UNITS	SCALE			
			MM	2:1			
	DRWN BY		DATE	TNISHIDA02		2017/03/29	
	CHK'D BY		DATE	KTANAKA03		2017/03/31	
	APPR BY		DATE	TKUSUHARA01		2017/04/03	
		DRAWING SIZE	THIRD ANGLE PROJECTION	PRODUCT CUSTOMER DRAWING			
		A3		SERIES	MATERIAL NUMBER	CUSTOMER	
				504618	SEE CHART	GENERAL	
				DOCUMENT NUMBER	DOC TYPE	DOC PART	SHEET NUMBER
				5046180000	PSD	004	3 OF 3

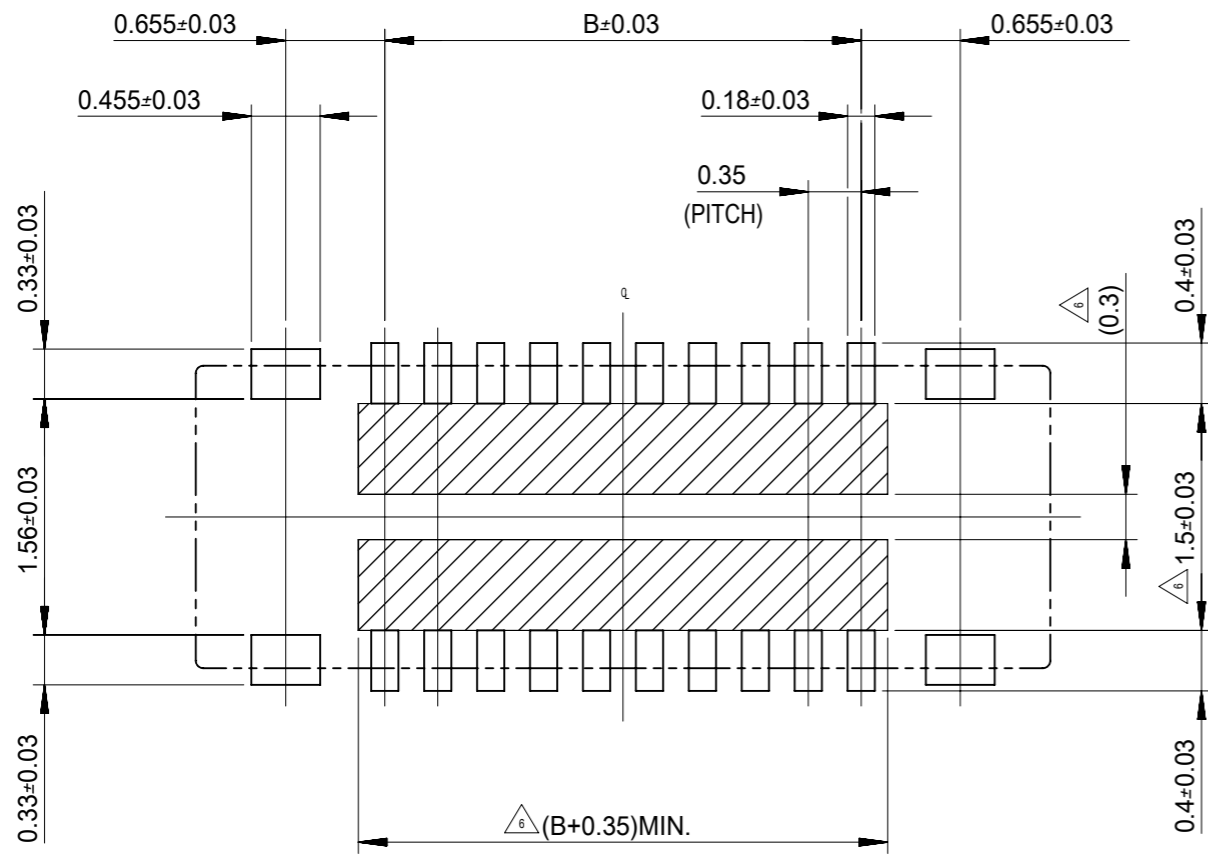


- NOTES
- MATERIAL  
HOUSING : LIQUID CRYSTAL POLYMER UL94V-0(COLOR : BLACK)  
TERMINAL : COPPER ALLOY  
FITTING NAIL : COPPER ALLOY
  - PLATING  
TERMINAL  
GOLD  
UNDER PLATING : NICKEL  
\*DIVIDE INTO PARTS THE GOLD PLATING OF THE CONTACT AND THE TAIL PART BY THE NICKEL PLATING.  
FITTING NAIL  
GOLD  
UNDER PLATING : NICKEL
  - APPLY FOR (CIRCUIT/2)=EVEN.
  - MATE WITH : 504622-\*\*12
  - TAIL AND FITTING NAIL COPLANARITY TO BE 0.08MAXIMUM.
  - PROHIBITED AREA OF PATTERN WIRING AND SOLDER.  
(FOR EACH AREA, THE WIRING THAT TOUCHES ON THE SOLDER CAN BE ATTACHED, THEN COVERED WITH A FILM TO KEEP SOLDER OUT.)
  - ELECTRIC SPEC OF FITTING NAIL IS NOT GUARANTEED WHEN MATED.

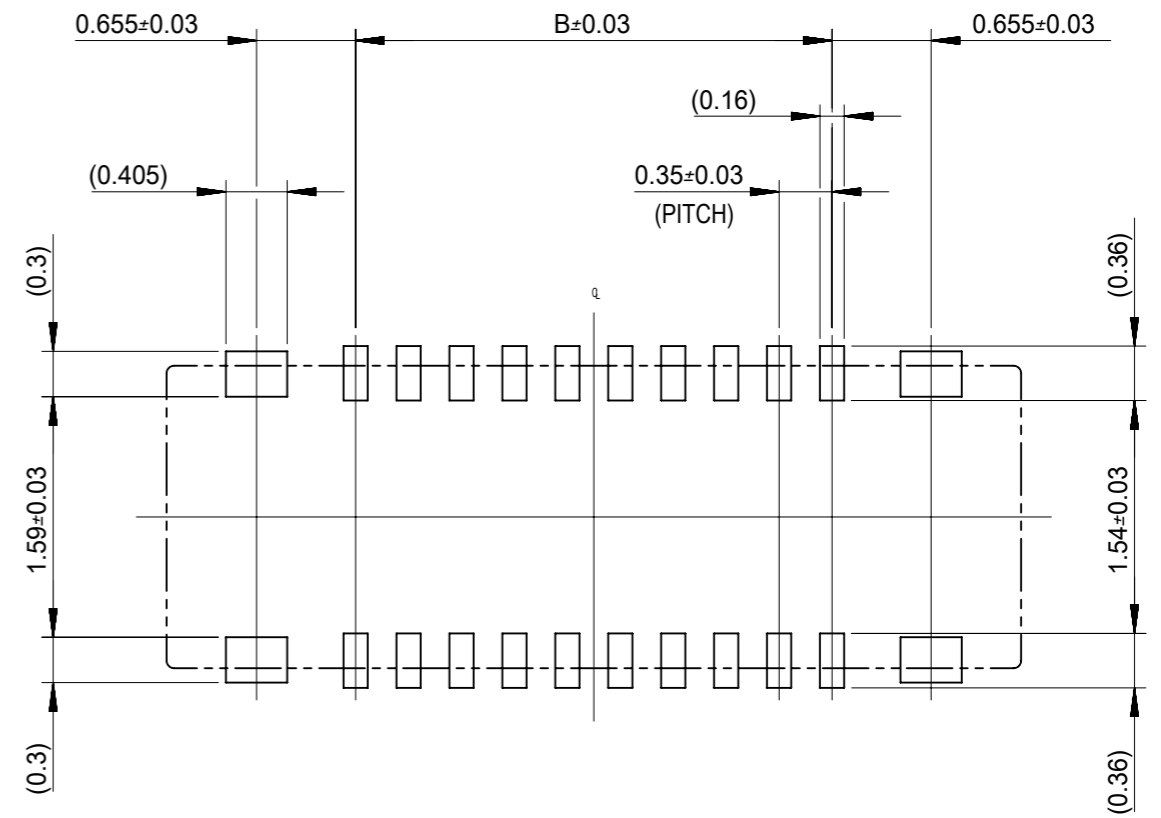
11.90±0.25	14.40±0.25	504618-7012	○	---	70
10.85±0.25	13.35±0.25	504618-6412	○	---	64
10.15±0.25	12.65±0.25	---	---	---	60
9.8	12.30±0.25	---	---	---	58
9.10	11.60±0.25	---	---	---	54
8.40	10.90±0.25	504618-5012	○	---	50
8.05	10.55±0.25	---	---	---	48
7.00	9.50	---	---	---	42
6.65	9.15	504618-4012	○	---	40
6.30	8.80	---	---	---	38
5.60	8.10	504618-3412	○	---	34
4.90	7.40	504618-3012	○	---	30
3.85	6.35	504618-2412	○	---	24
3.15	5.65	504618-2012	○	---	20
2.80	5.30	---	---	---	18
2.45	4.95	---	---	---	16
1.75	4.25	---	---	---	12
1.40	3.90	504618-1012	○	---	10
0.70	3.20	---	---	---	6
B	A	EMBOSSED TAPE PACKAGE	HIGH VOL. TOOL	LOW VOL. TOOL	CIRCUIT
		ORDER NO.	SAMPLE PREPARATION ○ : TOOLED △ : WORK IN PROCESS --- : TOOLING TO BE CONFIRMED		
CONNECTOR SERIES No. : 504618-**09					

THIS DRAWING CONTAINS INFORMATION THAT IS PROPRIETARY TO MOLEX ELECTRONIC TECHNOLOGIES, LLC AND SHOULD NOT BE USED WITHOUT WRITTEN PERMISSION

RELEASED EC NO: 115186 DRWN: TNISHIDA02 CHK'D: KTANAKA03 APPR: TKUSUHARA01	2017/03/29	2017/03/31	2017/04/03	GENERAL TOLERANCES (UNLESS SPECIFIED) ANGULAR TOL ± 1.0 ° 4 PLACES ± 0.2 3 PLACES ± 0.2 2 PLACES ± 0.2 1 PLACE ± 0.2 0 PLACES ± 0.2 DRAFT WHERE APPLICABLE MUST REMAIN WITHIN DIMENSIONS	DIMENSION UNITS MM	SCALE 20:1	<p>0.35 BB CONN. H=0.6 SSB6 REC. ASSY</p>	
	DRWN BY TNISHIDA02	DATE 2017/03/29			CHK'D BY KTANAKA03	DATE 2017/03/31		
	APPR BY TKUSUHARA01	DATE 2017/04/03			DRAWING SIZE A3			THIRD ANGLE PROJECTION
	PRODUCT CUSTOMER DRAWING				DRAWING SIZE A3			THIRD ANGLE PROJECTION
SERIES 504618		MATERIAL NUMBER SEE CHART		CUSTOMER GENERAL		DOCUMENT NUMBER 5046181000		
DOC TYPE PSD		DOC PART 003		SHEET NUMBER 1 OF 2				

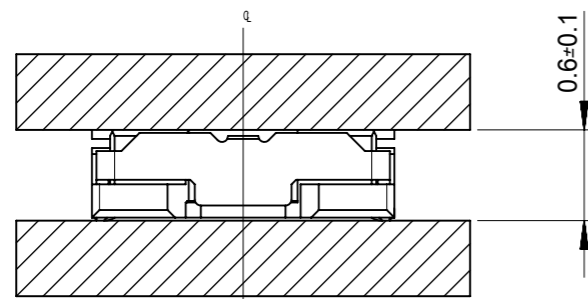


RECOMMENDED P.W.BOARD PATTERN LAYOUT(REFERENCE)



RECOMMENDED METAL MASK LAYOUT(REFERENCE)

RECOMMENDED THICKNESS OF METAL MASK :  $t=0.08\text{mm}$   
 RECOMMENDED OPEN APERTURE RATIO OF METAL MASK : 80%



MATED CONDITION

THIS DRAWING CONTAINS INFORMATION THAT IS PROPRIETARY TO MOLEX ELECTRONIC TECHNOLOGIES, LLC AND SHOULD NOT BE USED WITHOUT WRITTEN PERMISSION

EC NO: 115186 DRWN: TNISHIDA02 CHK'D: KTANAKA03 APPR: TKUSUHARA01	2017/03/29 2017/03/31	GENERAL TOLERANCES (UNLESS SPECIFIED) ANGULAR TOL $\pm 1.0^\circ$ 4 PLACES $\pm 0.2$ 3 PLACES $\pm 0.2$ 2 PLACES $\pm 0.2$ 1 PLACE $\pm 0.2$ 0 PLACES $\pm 0.2$ DRAFT WHERE APPLICABLE MUST REMAIN WITHIN DIMENSIONS	DIMENSION UNITS <b>MM</b>	SCALE <b>20:1</b>			
	DRWN BY <b>TNISHIDA02</b>		DATE <b>2017/03/29</b>	DRWN BY <b>TNISHIDA02</b>		DATE <b>2017/03/29</b>	<b>0.35 BB CONN. H=0.6</b> <b>SSB6 REC. ASSY</b>
	CHK'D BY <b>KTANAKA03</b>		DATE <b>2017/03/31</b>	CHK'D BY <b>KTANAKA03</b>		DATE <b>2017/03/31</b>	
	APPR BY <b>TKUSUHARA01</b>		DATE <b>2017/04/03</b>	APPR BY <b>TKUSUHARA01</b>	DATE <b>2017/04/03</b>	<b>PRODUCT CUSTOMER DRAWING</b>	
	A		REV	DRAWING SIZE <b>A3</b>	THIRD ANGLE PROJECTION 	SERIES <b>504618</b>	MATERIAL NUMBER <b>SEE CHART</b>
RELEASE STATUS <b>P1</b>	RELEASE DATE <b>03.04.2017</b>	03:27:29	DOCUMENT NUMBER <b>5046181000</b>	DOC TYPE <b>PSD</b>	DOC PART <b>003</b>	SHEET NUMBER <b>2 OF 2</b>	