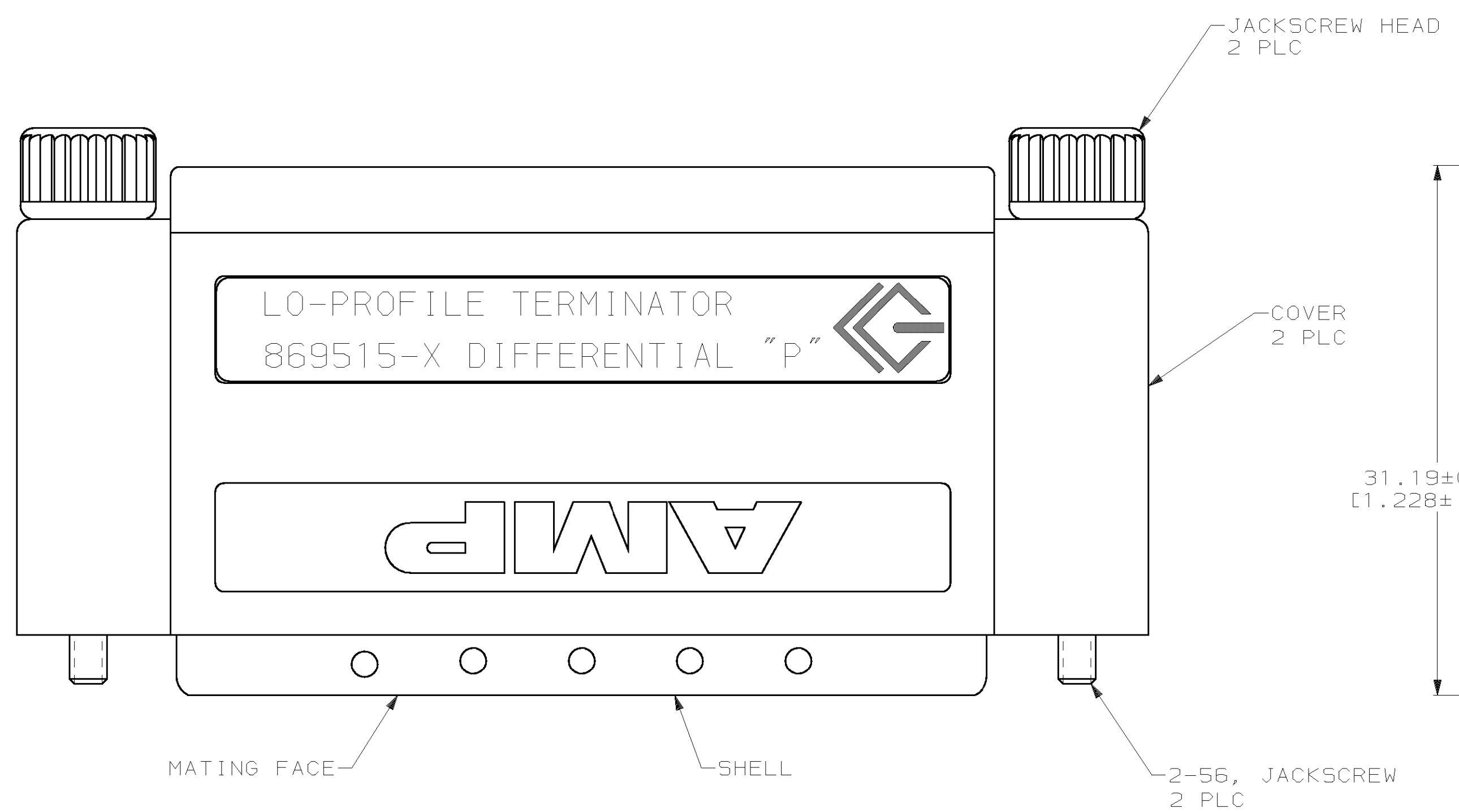
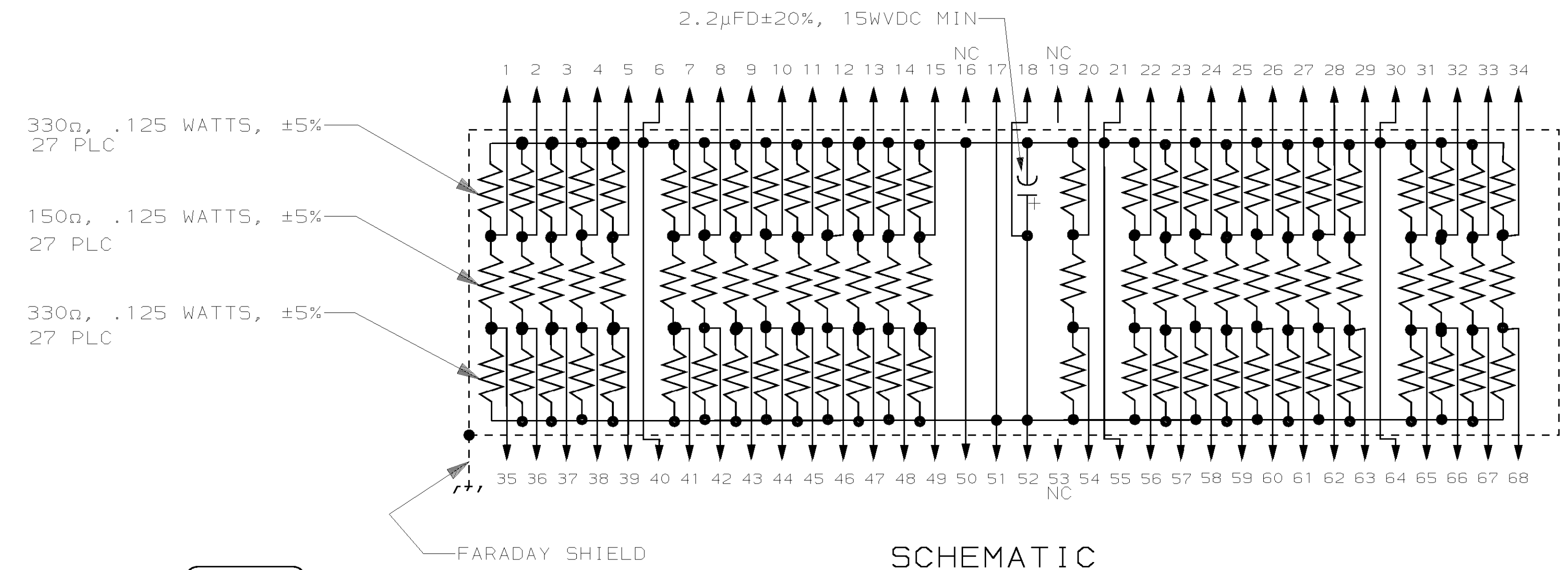
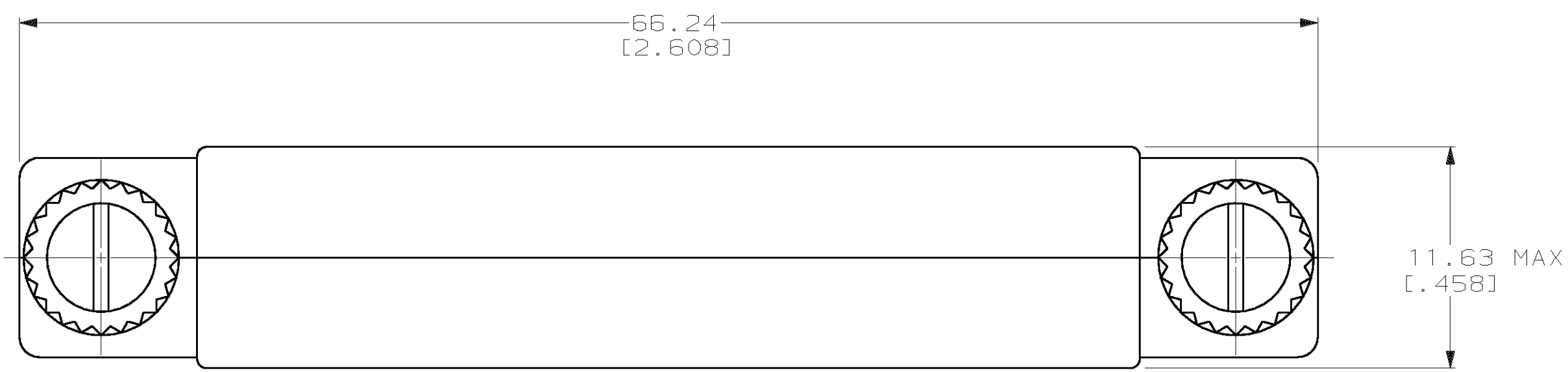
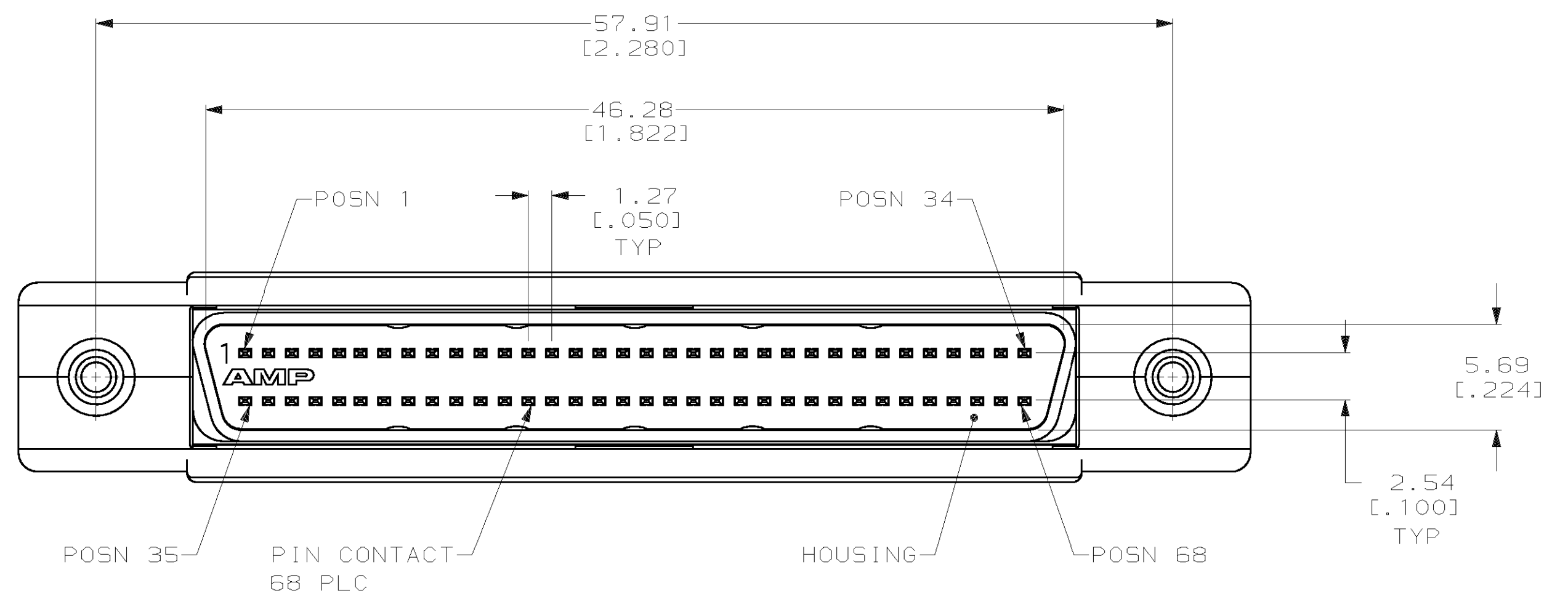


LOC		DIST		REV		ZONE		LTR		REVISIONS		DATE	APPD
GP	00	P	F							DESCRIPTION			
						F				REV PER EC 0020-601-93	10/27/93	PR	
						G				REV PER EC 0020-1462-93	01/28/94	MLP	
						H				REV PER EC 0020-0080-95	02/01/95	PR	
						J				REV PER EC 0020-0186-95	05/23/95	RF	
						K				REV PER EC 0640-166-99	24 JUN 99	JK	
						L				REV PER EC 051A-0168-00	29 JUN 00	MG	



- ⚠ SHELL: CARBON STEEL; PIN CONTACT: PHOSPHOR BRONZE; HOUSING: POLYESTER, BLACK; RESISTOR: THICK FILM RESISTOR COMPOSITION ON ALUMINA SUBSTRATE. JACKSCREW: STAINLESS STEEL; SHIELD: COPPER; COVER: ABS, GREY, UL 94V-0; JACKSCREW HEAD: PVC, BEIGE.
- ⚠ 5.08μm[.000200] MIN TIN-NICKEL OVER 1.27μm[.000050] MIN COPPER.
- ⚠ 0.76μm[.000030] MIN GOLD FOR A LENGTH OF 3.35[.132] MIN FROM MATING END OVER 1.27μm[.000050] MIN NICKEL.
- ⚠ SEE RESTRICTED CUSTOMER DRAWING 869515-2.



DO NOT SCALE PRINT. UNLESS SPECIFIED DIMENSIONS IN mm [INCHES] TOLERANCES ON: 2 PLC DEC ± 0.25[.010] 3 PLC DEC ± - ANGLES ± -		DR 8-1-91 J McCLINTON		AMP Incorporated Harrisburg, PA 17105-3508	
MATERIAL		CHK 9-30-91 R. STONE			
FINISH SHELL: ⚠ CONTACTS: ⚠		APPD 10-2-91 P. RUELIUS		NAME	
		APPD 10-3-91 J. FULPONI		PLUG ASSEMBLY, 68 POSITION, LOW PROFILE, .050 SERIES AMPLIMITE™ TERMINATOR	
		PRODUCT SPEC -		DRAWING NO	
		APPLICATION SPEC -		SIZE	
		WEIGHT -		CAGE CODE	
				DRAWING NO	
				SCALE	
				SHEET	
				1 OF 1	