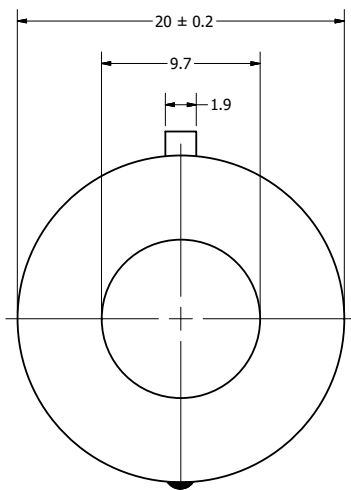
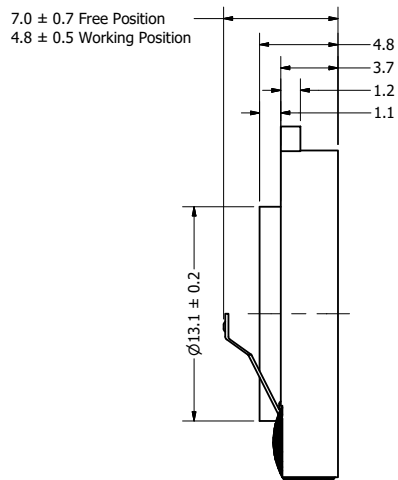


Part Number:	SW200908-1	
DRAWN	CJ	3/10/2017
CHECKED	P.D.	10/2/2017
Description:	Waterproof Dynamic Speaker	
APPROVED	C.E.	10/2/2017
This document contains data proprietary to DB Unlimited. Any use or reproduction, in any form, without prior written permission of DB Unlimited is prohibited. All terms and conditions can be found at www.dbunlimitedco.com		

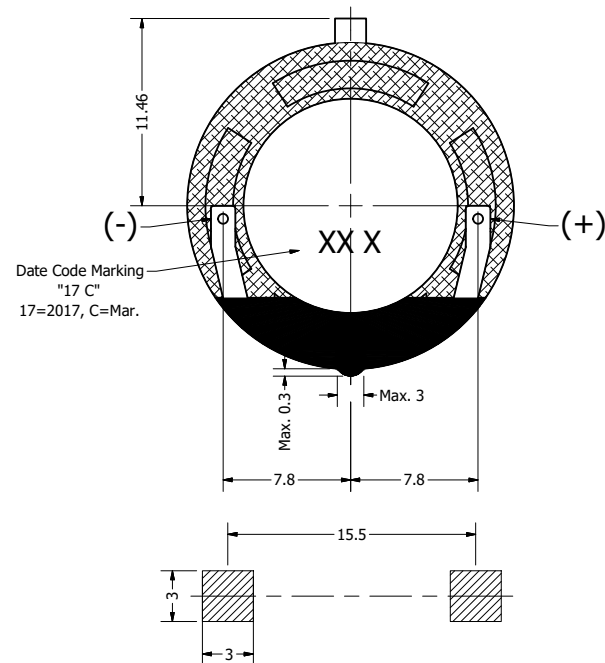
Top View



Side View



Bottom View



Items	Specifications	Conditions
Sound Pressure Level	90	dB (@ 10cm), Avg.
Resonant Frequency	1,200	Hz
Frequency Range	1,200 ~ 10,000	Hz
Nominal Power	1	W
Max. Power	1.5	W
Impedance	8	Ω
Cone Material	Mylar	
Mount Type	Flush Mount	
IP Rating	IP67	
Storage Temperature	-20 ~ +55	$^{\circ}\text{C}$
Operating Temperature	-20 ~ +55	$^{\circ}\text{C}$
Weight	2.92	g

REVISION HISTORY

REV	DESCRIPTION	DATE	APPROVED
	Released from Engineering	10/2/2017	C.E.
1	Updated resonant frequency, range, frame height, bottom view detail	5/4/2018	C.E.

NOTES

- 1) All dimensions are in mm unless otherwise noted
- 2) All tolerances are ± 0.3 mm unless otherwise noted
- 3) All parts meet RoHS
- 4) Subject to change or redrawn without notice