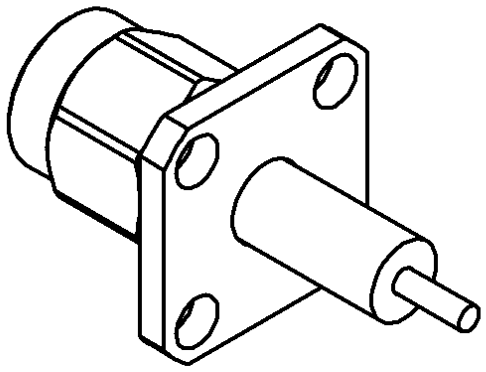
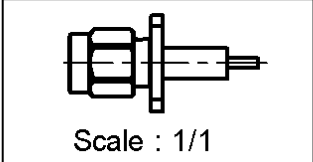
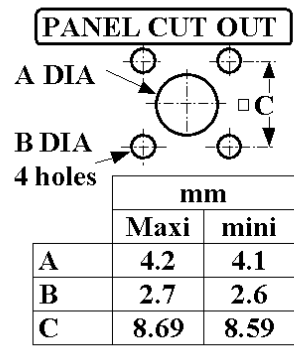
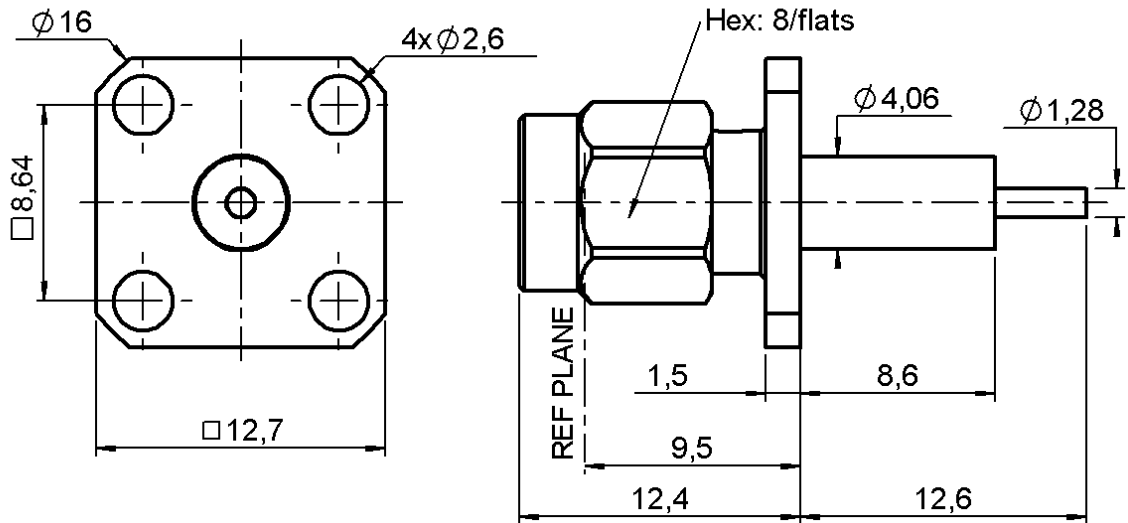
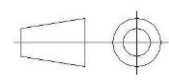


| | | | |
|----------|-----------------|------------|------------------------|
| PAGE 1/2 | ISSUE 03-12-14A | SERIES SMA | PART NUMBER R125444001 |
|----------|-----------------|------------|------------------------|



CECC 22111-071-01

All dimensions are in mm.



| COMPONENTS | MATERIALS | PLATING (µm) |
|----------------|------------------------|-------------------------------|
| Body | STAINLESS STEEL | PASSIVATED. |
| Center contact | BRASS | GOLD 2.5 OVER NICKEL 2 |
| Outer contact | - | - |
| Insulator | PTFE | - |
| Gasket | SILICONE RUBBER | - |
| Others parts | STAINLESS STEEL | PASSIVATED. |
| - | - | - |
| - | - | - |

| | | | |
|----------|------------------------|-------------------|-------------------------------|
| PAGE 2/2 | ISSUE 03-12-14A | SERIES SMA | PART NUMBER R125444001 |
|----------|------------------------|-------------------|-------------------------------|

PACKAGING

| Standard | Unit | Other |
|------------|-------------------|-------------------|
| 100 | Contact us | Contact us |

ELECTRICAL CHARACTERISTICS

| | | | |
|---------------------------------|-------------|--------------|-----------------------------|
| Impedance | | 50 | Ω |
| Frequency | | 0-18 | GHz |
| VSWR | 1.06 | + | 0,0025 x F(GHz) Maxi |
| Insertion loss | | 0.07* | √F(GHz) dB Maxi |
| RF leakage | - (| 60 | - F(GHz)) dB Maxi |
| Voltage rating | | 500 | Veff Maxi |
| Dielectric withstanding voltage | | 1000 | Veff mini |
| Insulation resistance | | 5000 | MΩ mini |

ENVIRONMENTAL

| | | |
|-----------------------|-----------------|-----------|
| Operating temperature | -65/+165 | °C |
| Hermetic seal | NA | Atm.cm3/s |
| Panel leakage | NA | |

MECHANICAL CHARACTERISTICS

| | | | |
|----------------------------|--|---------------|-------------|
| Center contact retention | | | |
| Axial force – Mating End | | 27 | N mini |
| Axial force – Opposite end | | 27 | N mini |
| Torque | | 2.8 | N.cm mini |
| Recommended torque | | | |
| Mating | | 100 | N.cm |
| Panel nut | | NA | N.cm |
| Mating life | | 500 | Cycles mini |
| Weight | | 4,3360 | g |

SPECIFICATION

OTHER CHARACTERISTICS

Assembly instruction:**NA**

Others:

*** Coaxial Transmission Line Only**