

SACC-DSI-MS-5CON-L180/SCO SH

Order No.: 1553048


<http://eshop.phoenixcontact.de/phoenix/treeViewClick.do?UID=1553048>

Sensor/actuator flush-type connector, 5-pos., M12-SPEEDCON, shielded, A-coded, rear/screw mounting with Pg9 thread, with straight solder connection

CANopen

DeviceNet

SPEEDCON
LOCKING**Commercial data**

GTIN (EAN)	 4 046356 162234
sales group	D125
Pack	20 pcs.
Customs tariff	85366990
Catalog page information	Page 28 (PC-2009)

Product notes

WEEE/RoHS-compliant since:
04/13/2007

<http://>

www.download.phoenixcontact.com
Please note that the data given here has been taken from the online catalog. For comprehensive information and data, please refer to the user documentation. The General Terms and Conditions of Use apply to Internet downloads.

Technical data**General data**

Rated current at 40°C	4 A
Rated voltage	60 V
Number of positions	5
Volume resistance	≤ 3 mΩ

Insulation resistance	≥ 100 MΩ
Ambient temperature (operation)	-25 °C ... 85 °C (Male connector / female connector)

General characteristics

Standards/regulations	M12 connector IEC 61076-2-101
Coding	A - standard
Surge voltage category	II
Pollution degree	3
Degree of protection	IP67
Contact material	CuZn
Contact surface material	Au
Contact carrier material	PA 66
Material, knurls	Zinc die-cast, (nickel-plated)
Sealing material	NBR
Mounting type	Rear mounting Pg9 With flat nut
Type of connection	Solder pins
Length of the solder contacts	6 mm
Status display	No

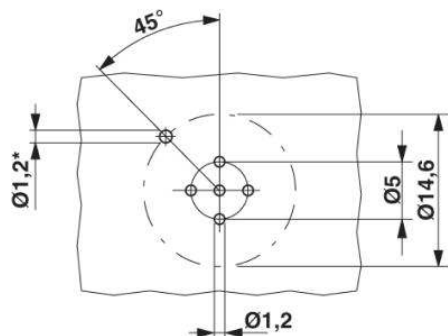
Certificates / Approvals



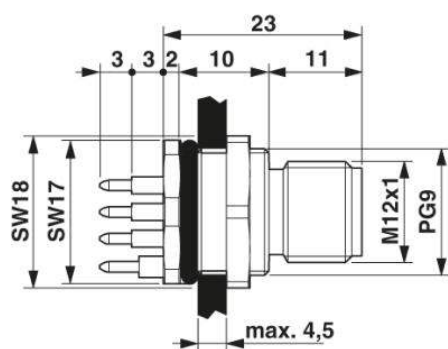
Certification UL

Diagrams/Drawings

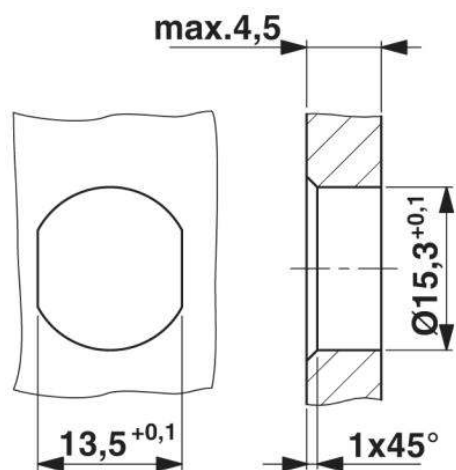
Drilling plan/solder pad geometry



Dimensioned drawing

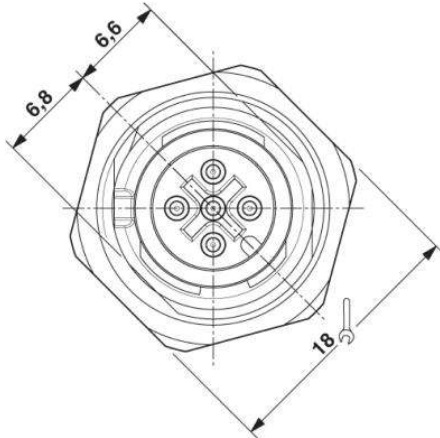


M12 flush-type connector

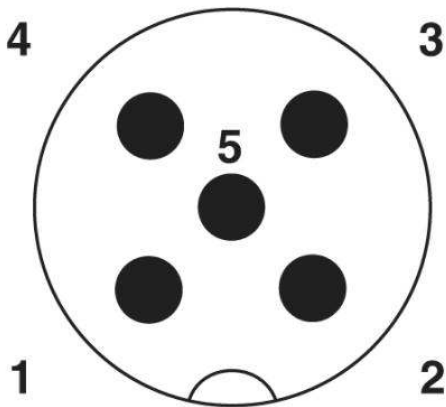


Mounting cutout with polarization for Pg9 thread

M12 front view



Schematic diagram



Pin assignment M12 male connector, 5-pos., A-coded, male side

Address

PHOENIX CONTACT Inc., USA
586 Fulling Mill Road
Middletown, PA 17057, USA
Phone (800) 888-7388
Fax (717) 944-1625
<http://www.phoenixcon.com>



© 2010 Phoenix Contact
Technical modifications reserved;